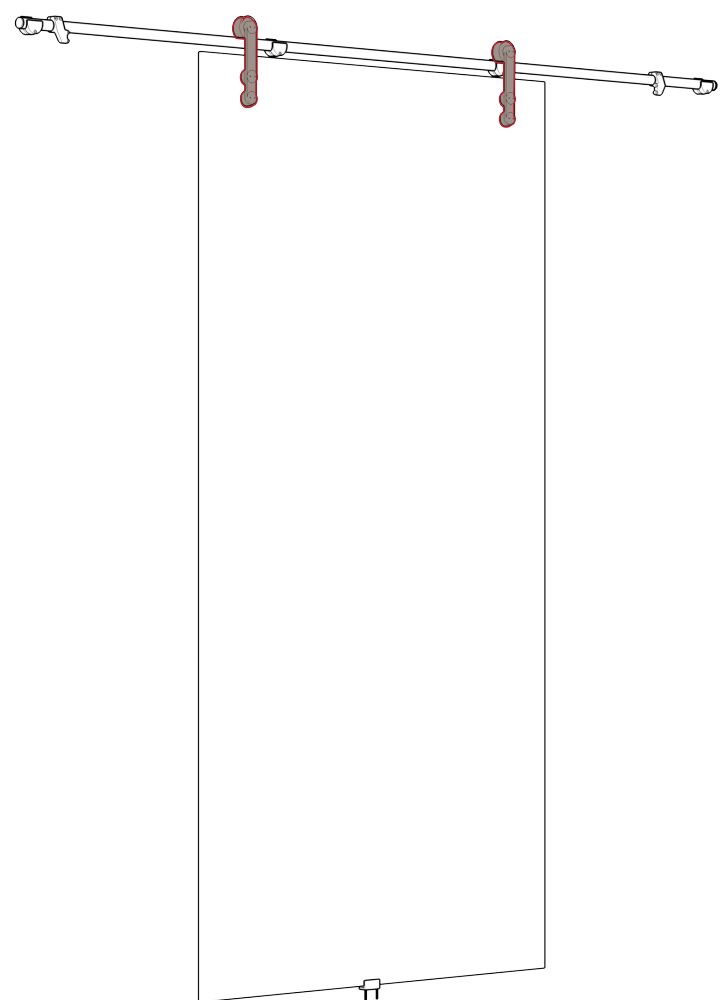
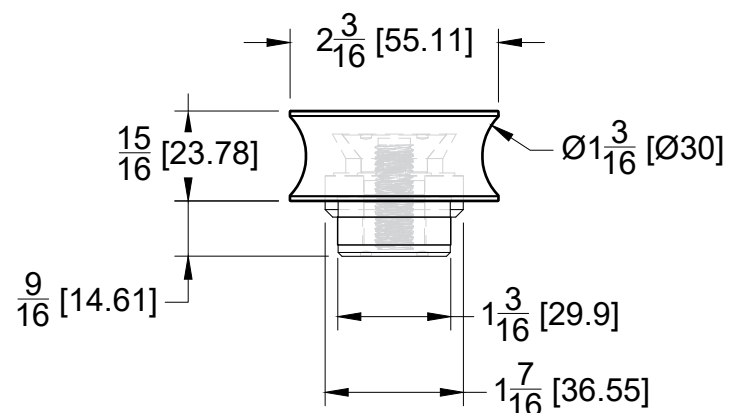


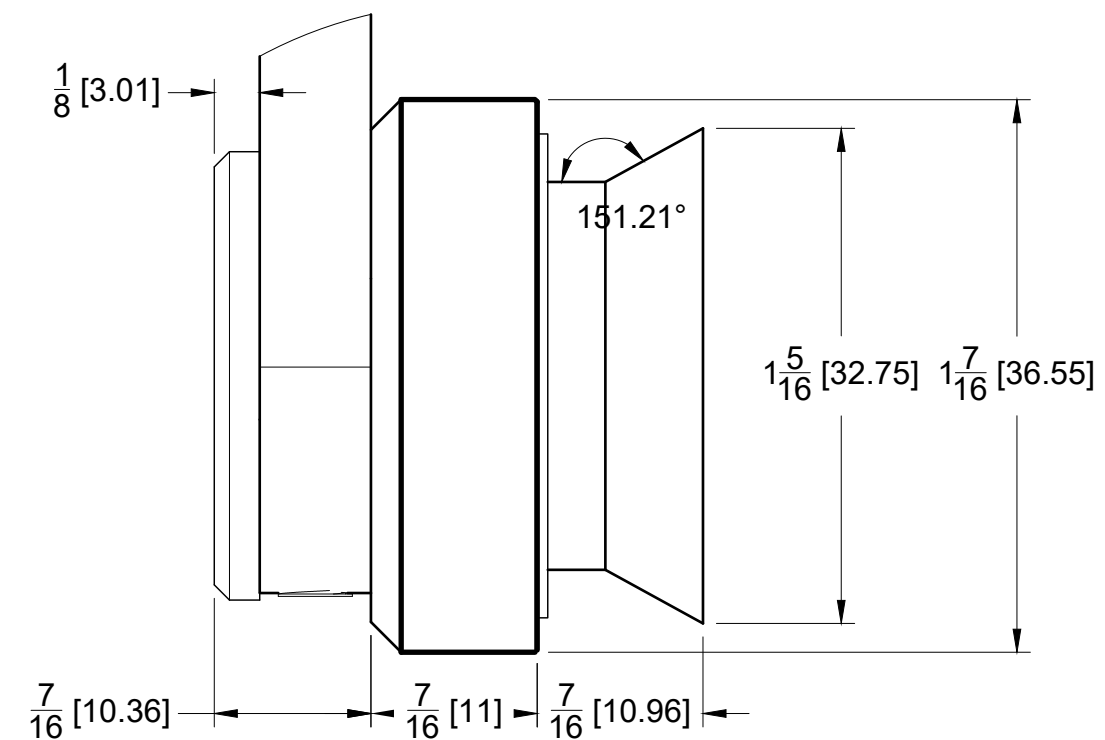
FRONT



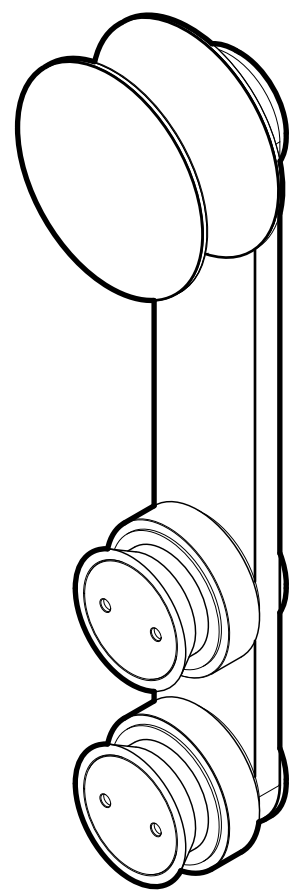
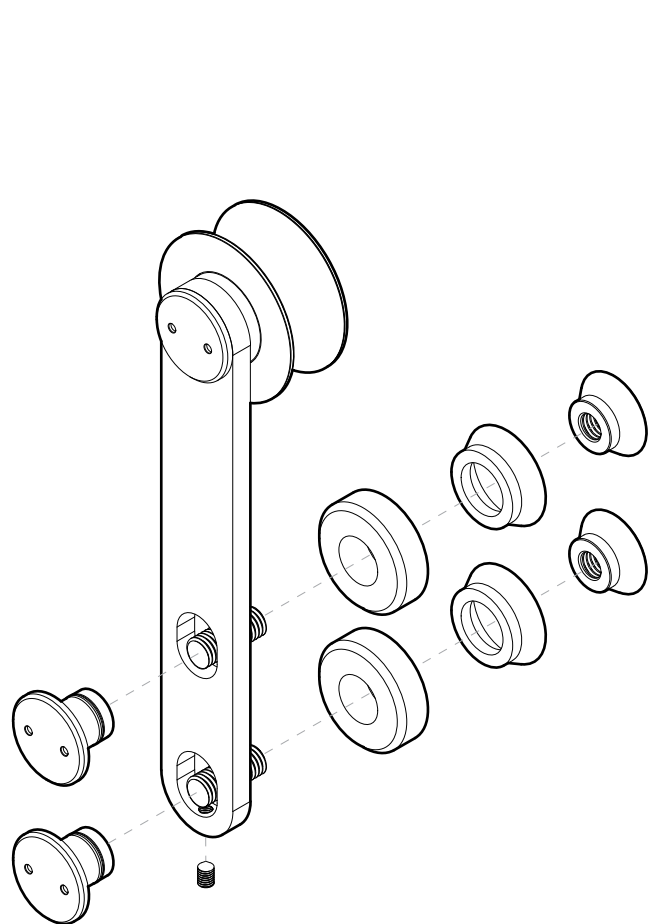
TOP VIEW



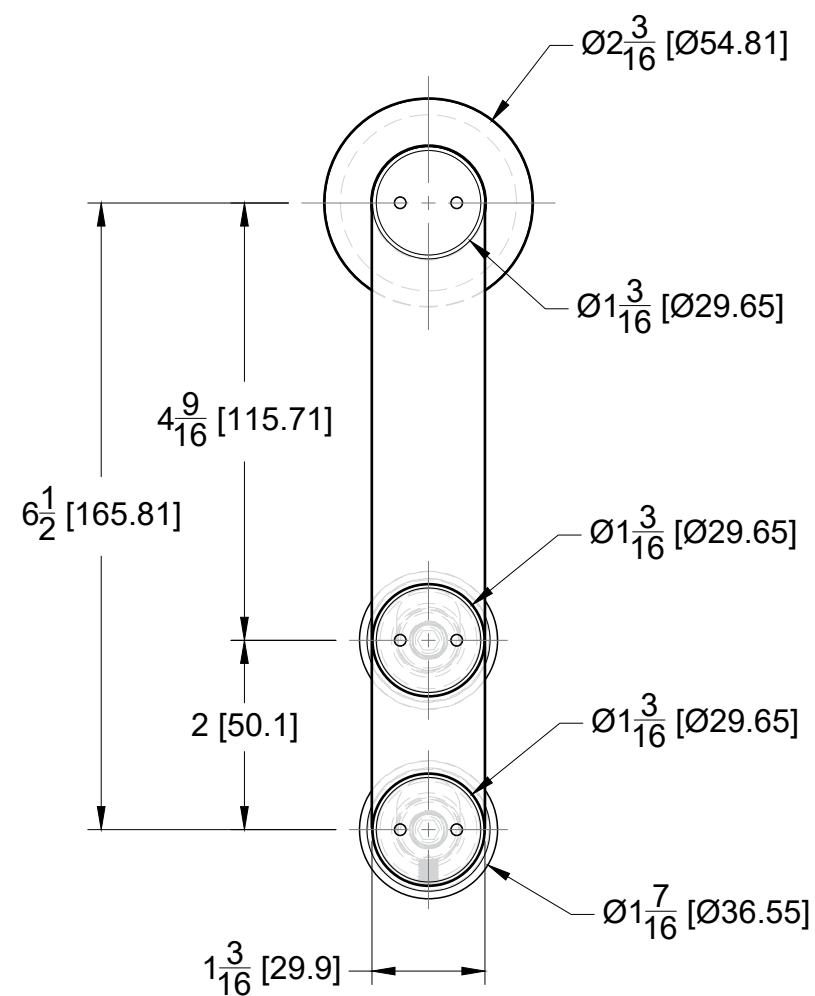
DETAIL A



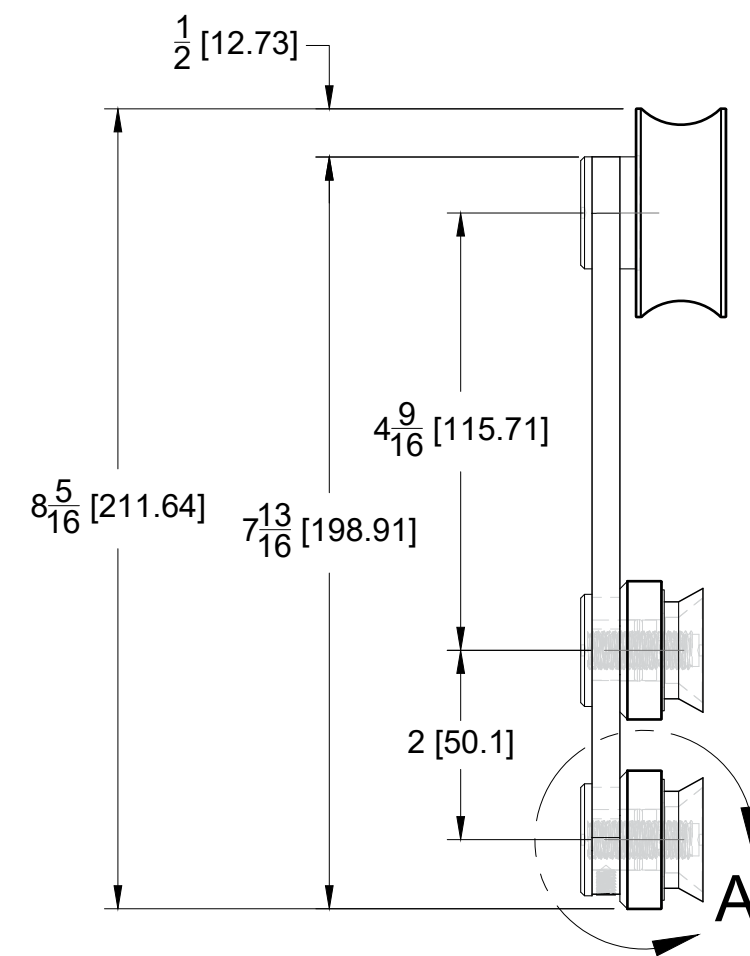
BACK



FRONT VIEW



SIDE VIEW



10101 NW 79th Ave
Hialeah Gardens, FL 33016
Phone: (877) 658-9008

Product:

IGT Barn Door System

Code: IGTBDH

Material: 304 Stainless Steel

Specifications:

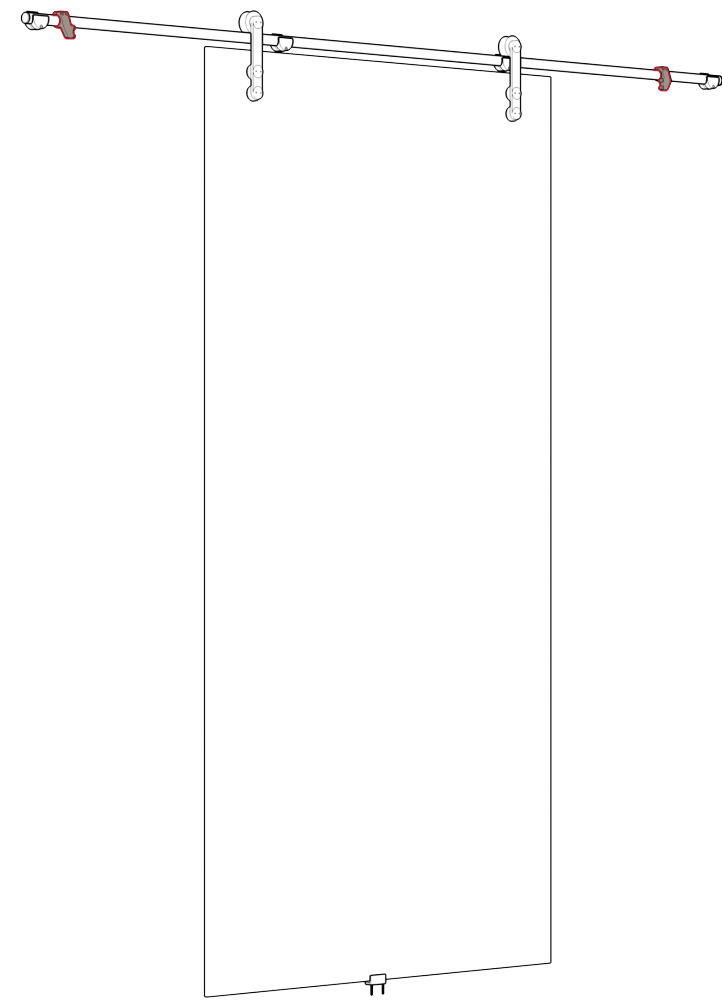
Glass thickness: 3/8" (10 mm) to 1/2" (12 mm) tempered glass. Cut out required

Includes: Track, end caps, brackets, rollers, door stops, floor guide, screws and Allen keys.

BEFORE PROCEEDING WITH FABRICATION, PLEASE ENSURE THAT YOU VERIFY ALL MEASUREMENTS. IT IS CRUCIAL TO DOUBLE-CHECK THE SPECIFICATIONS TO AVOID ANY DISCREPANCIES. FOR THE MOST UP-TO-DATE TECHNICAL SPECSHEETS AND CUTOUTS, KINDLY VISIT GLASSHARDWARE.COM.

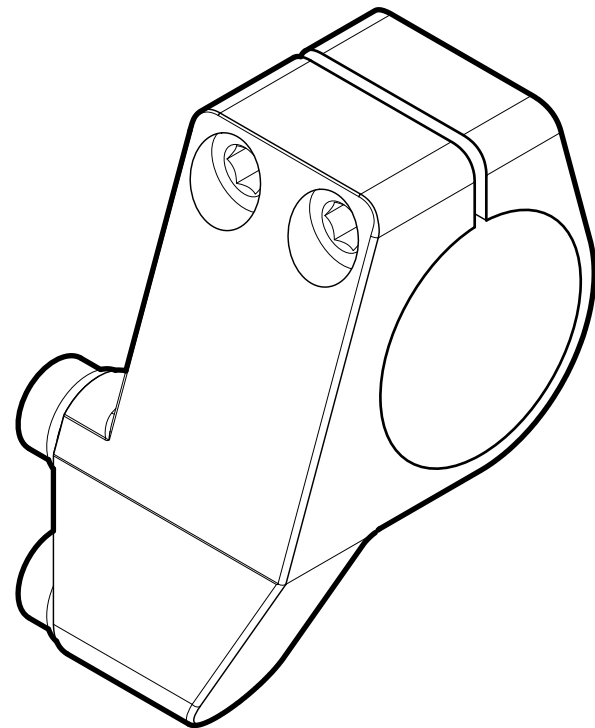
Date: 04/01/25

Sheet N°: 1/4



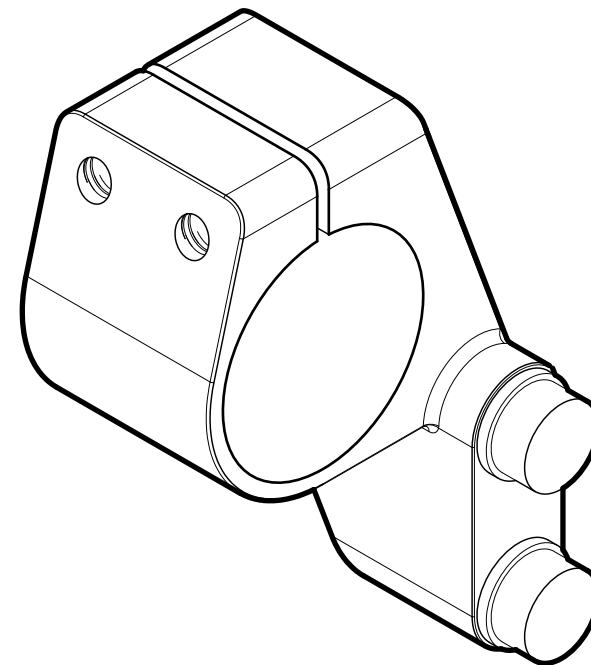
TOP VIEW

FRONT

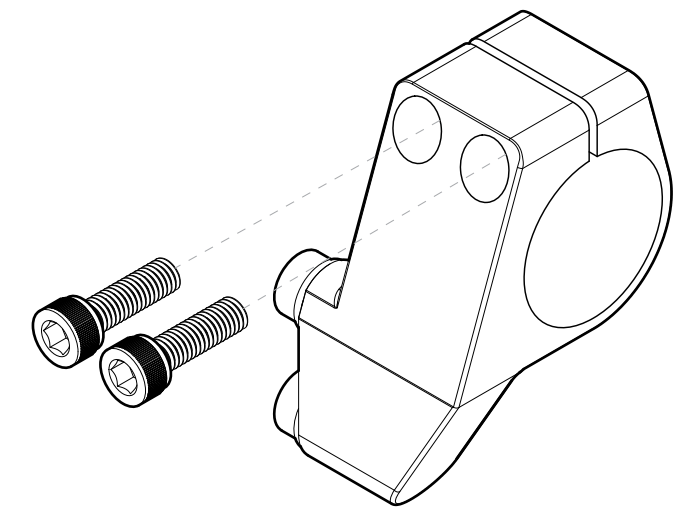


FRONT VIEW

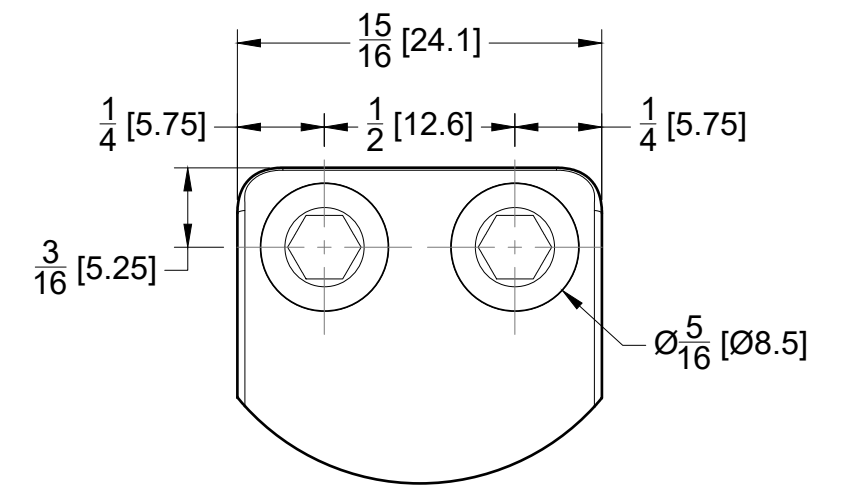
BACK



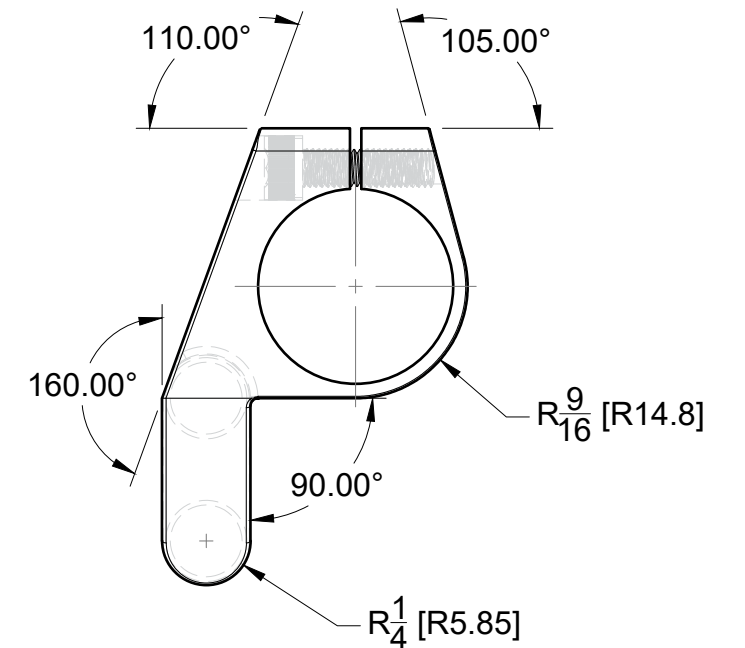
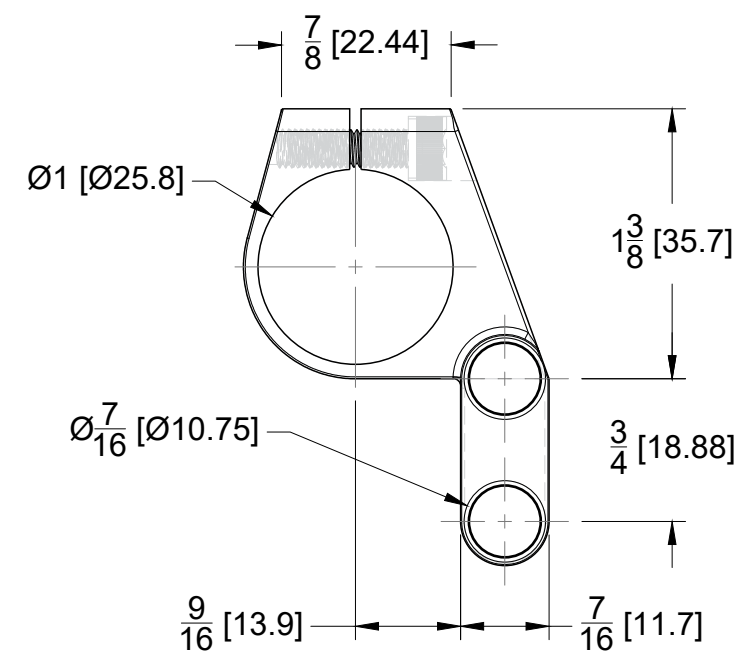
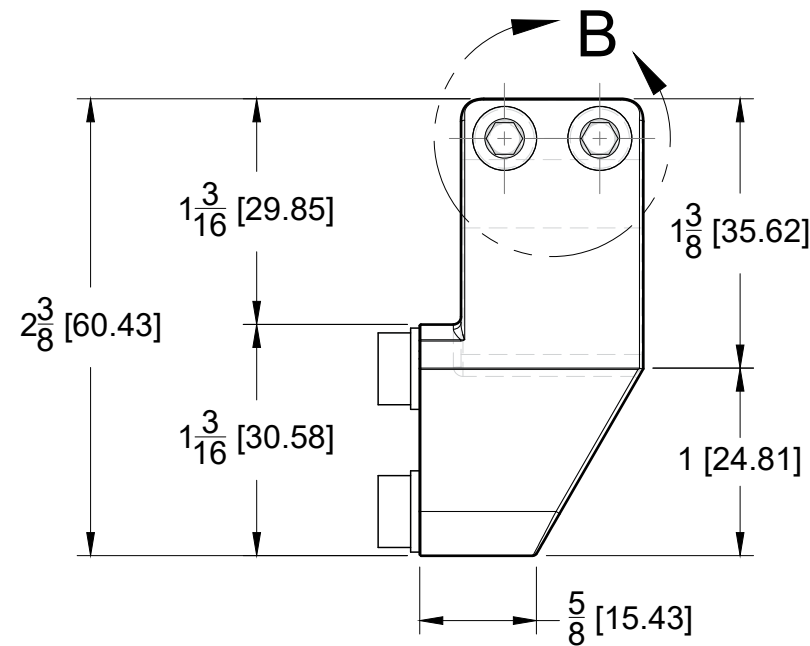
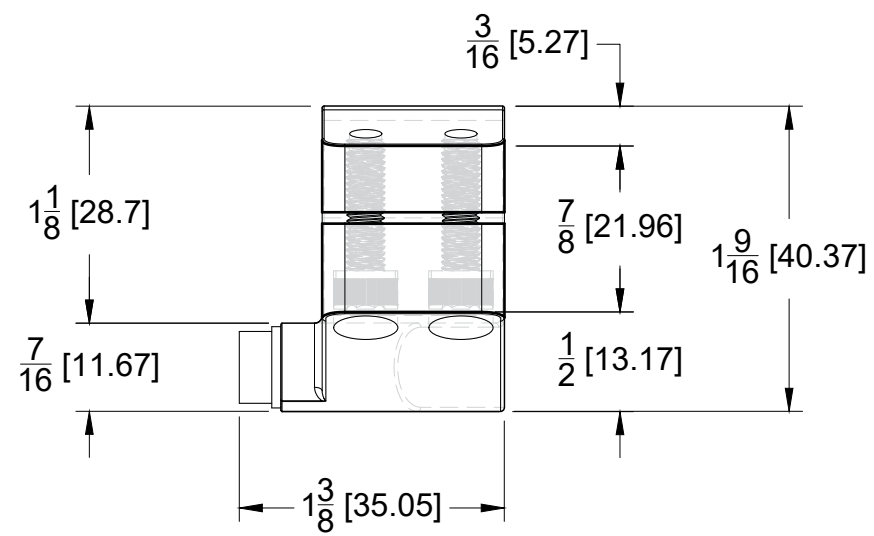
LEFT SIDE VIEW



DETAIL B



RIGHT SIDE VIEW



10101 NW 79th Ave
Hialeah Gardens, FL 33016
Phone: (877) 658-9008

Product: **IGT Barn Door System**
Code: IGTBDH

Material: 304 Stainless Steel

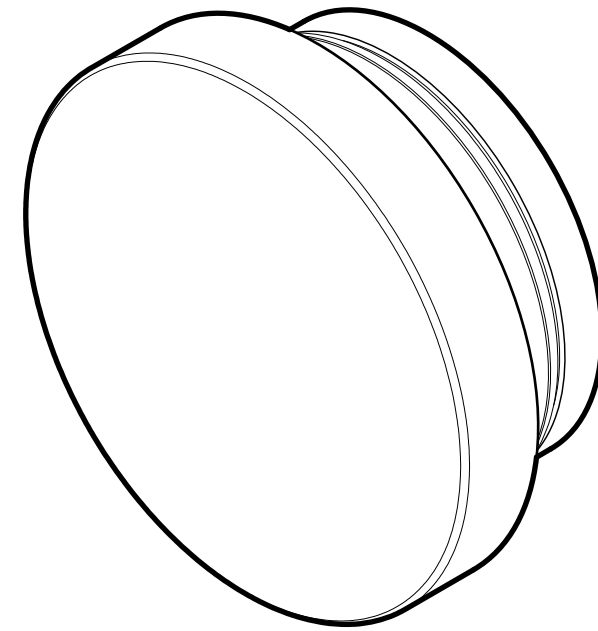
Specifications:
Glass thickness: 3/8" (10 mm) to 1/2" (12 mm) tempered glass. Cut out required
Includes: Track, end caps, brackets, rollers, door stops, floor guide, screws and Allen keys.

BEFORE PROCEEDING WITH FABRICATION, PLEASE ENSURE THAT YOU VERIFY ALL MEASUREMENTS. IT IS CRUCIAL TO DOUBLE-CHECK THE SPECIFICATIONS TO AVOID ANY DISCREPANCIES. FOR THE MOST UP-TO-DATE TECHNICAL SPECSHEETS AND CUTOUTS, KINDLY VISIT GLASSHARDWARE.COM.

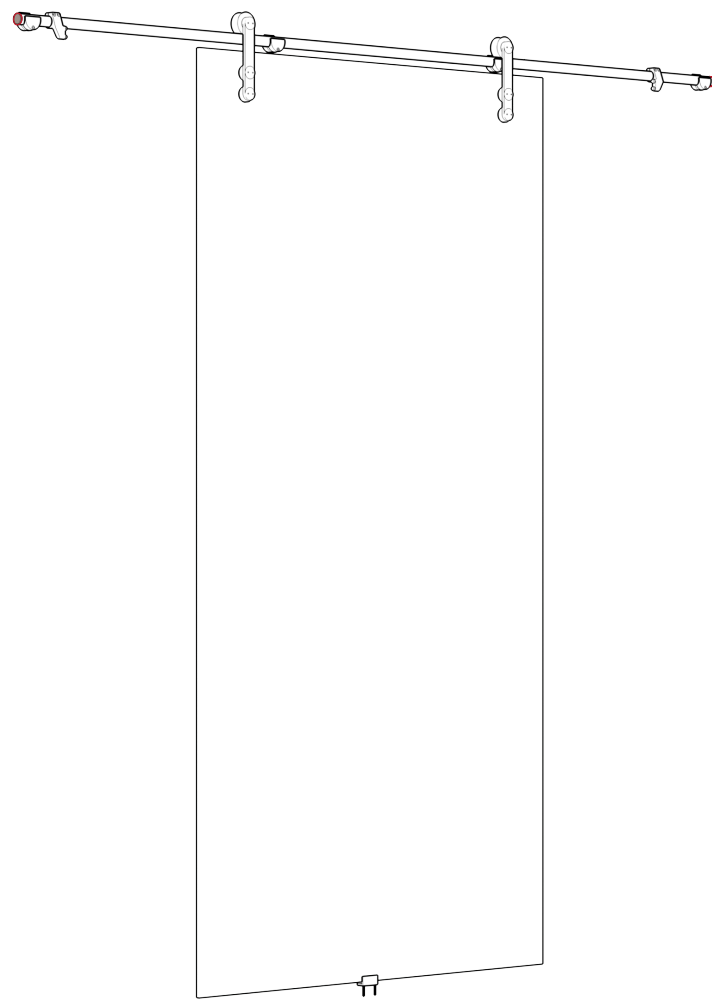
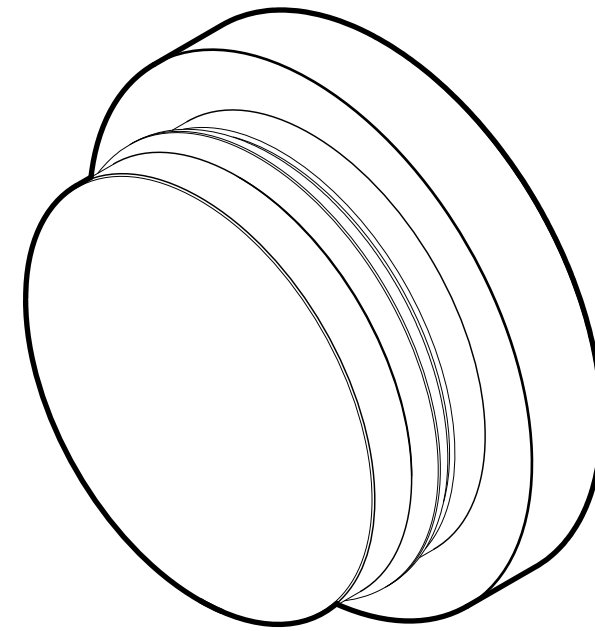
Date: 04/01/25

Sheet N°: 2/4

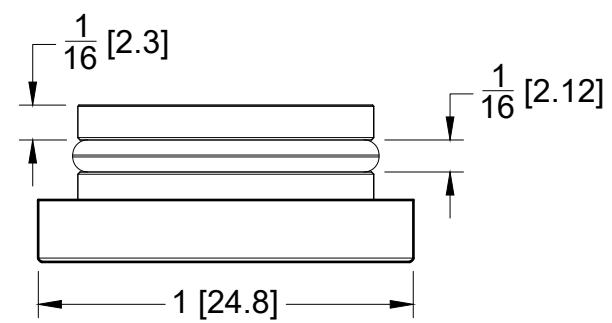
FRONT



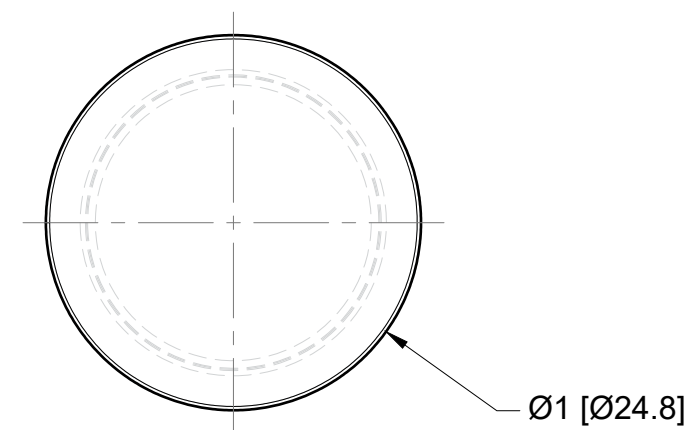
BACK



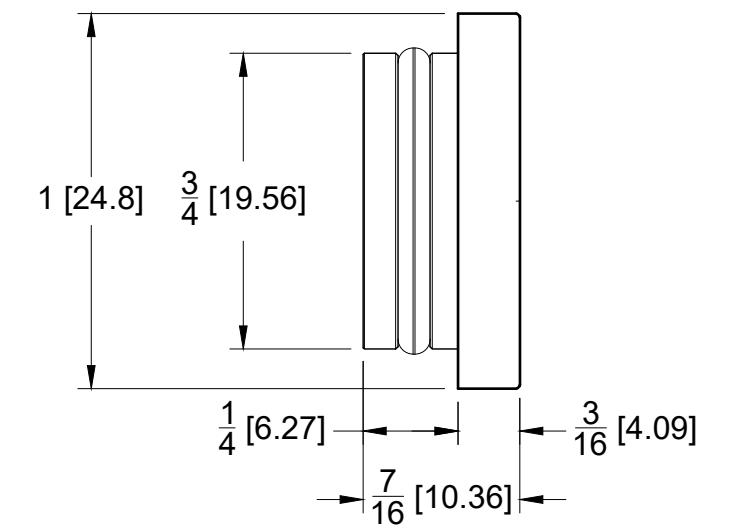
TOP VIEW



FRONT VIEW



SIDE VIEW



10101 NW 79th Ave
 Hialeah Gardens, FL 33016
 Phone: (877) 658-9008

Product:

IGT Barn Door System

Code: IGTBDH

Material: 304 Stainless Steel

Specifications:

Glass thickness: 3/8" (10 mm) to 1/2" (12 mm) tempered glass. Cut out required

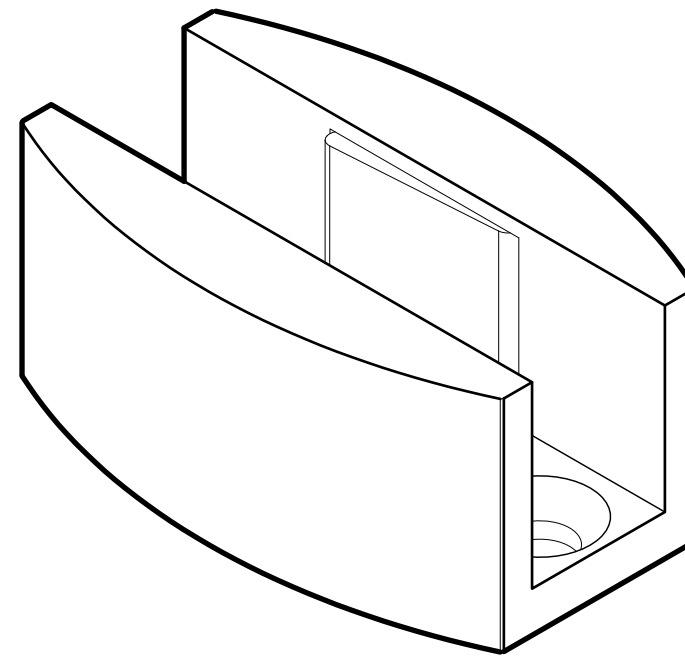
Includes: Track, end caps, brackets, rollers, door stops, floor guide, screws and Allen keys.

BEFORE PROCEEDING WITH FABRICATION, PLEASE ENSURE THAT YOU VERIFY ALL MEASUREMENTS. IT IS CRUCIAL TO DOUBLE-CHECK THE SPECIFICATIONS TO AVOID ANY DISCREPANCIES. FOR THE MOST UP-TO-DATE TECHNICAL SPECSHEETS AND CUTOUTS, KINDLY VISIT GLASSHARDWARE.COM.

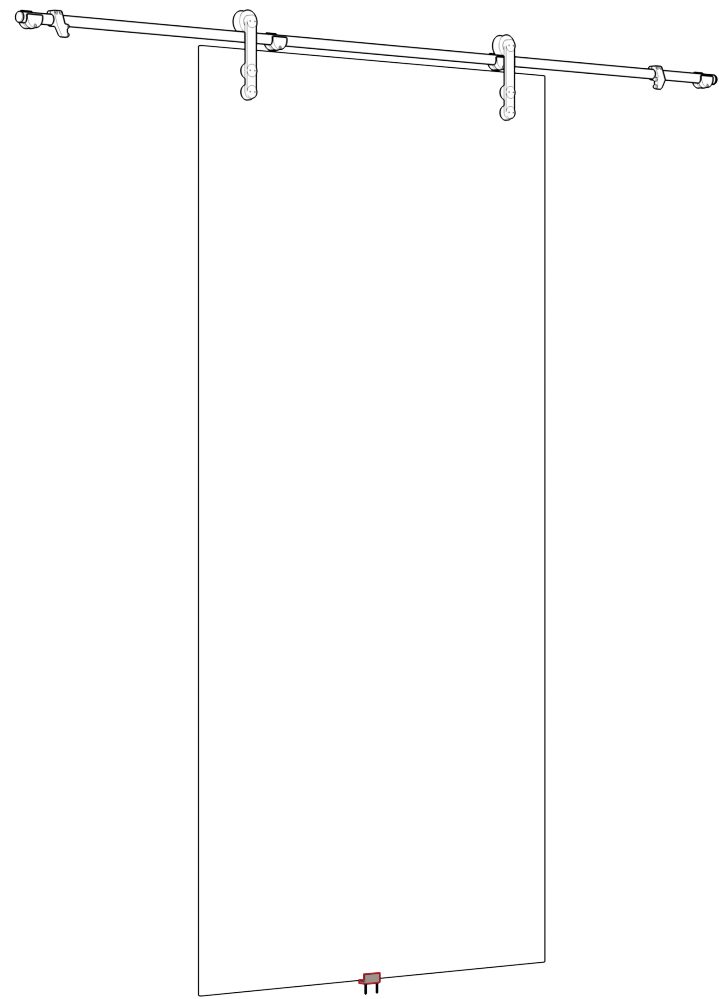
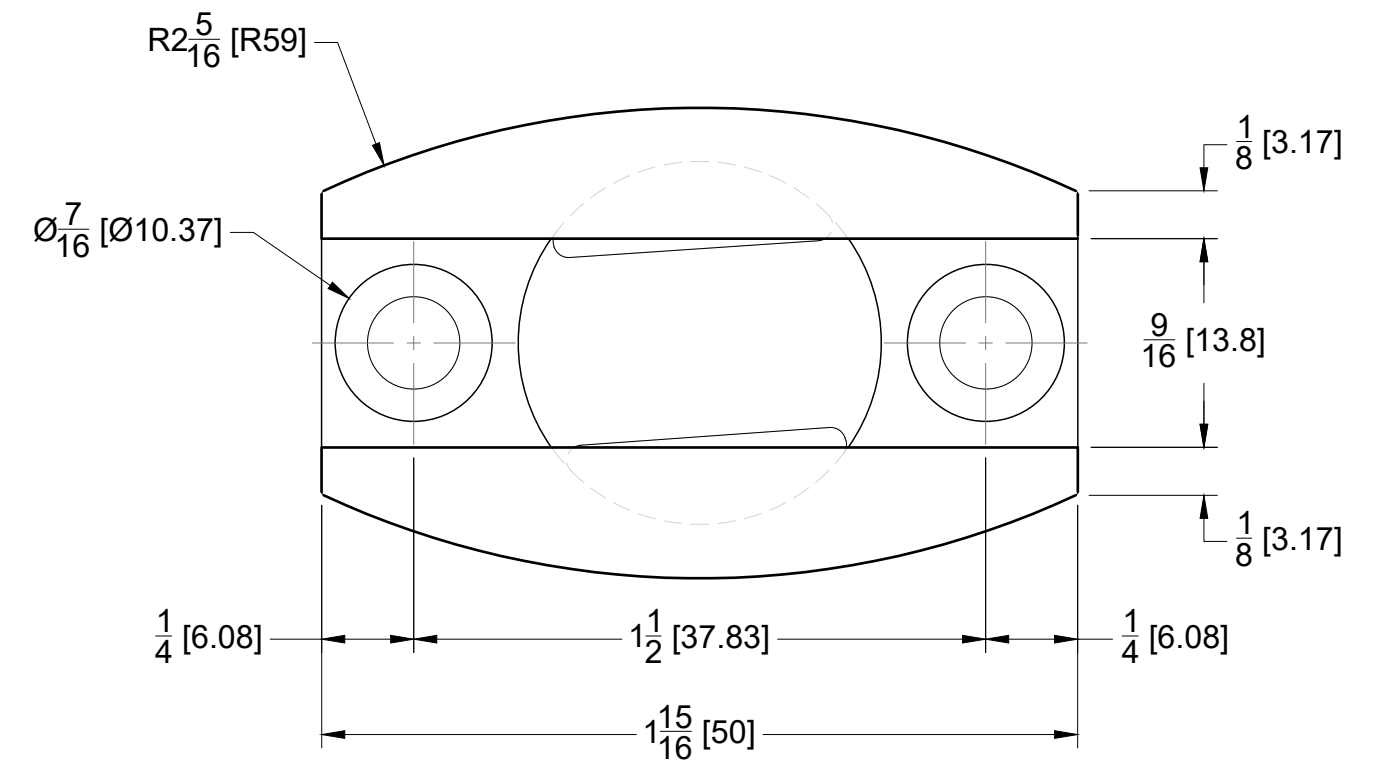
Date: 04/01/25

Sheet N°: 3/4

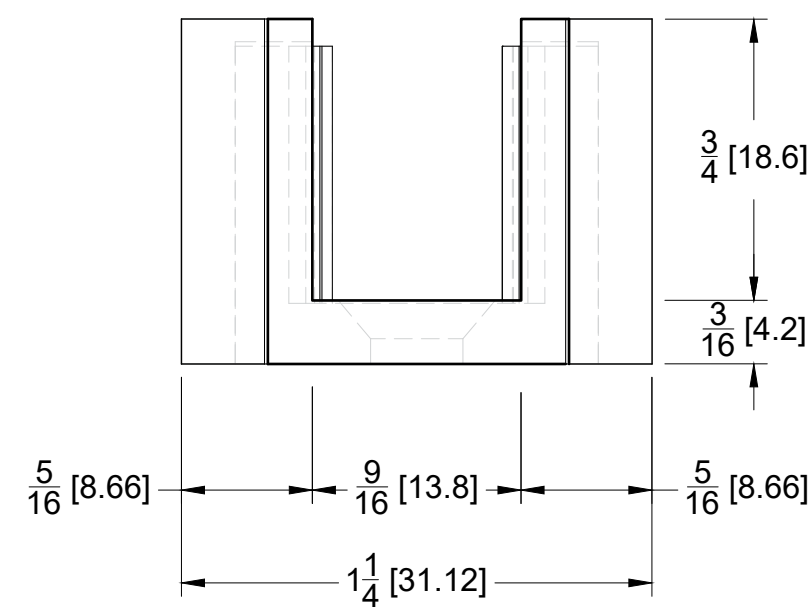
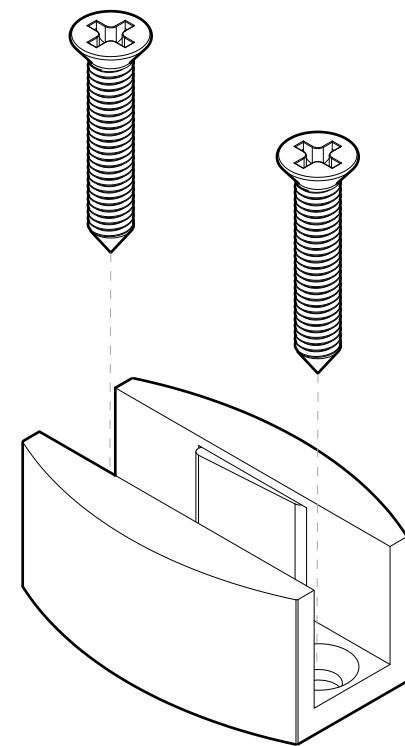
FRONT



TOP VIEW



SIDE VIEW



FRONT VIEW

