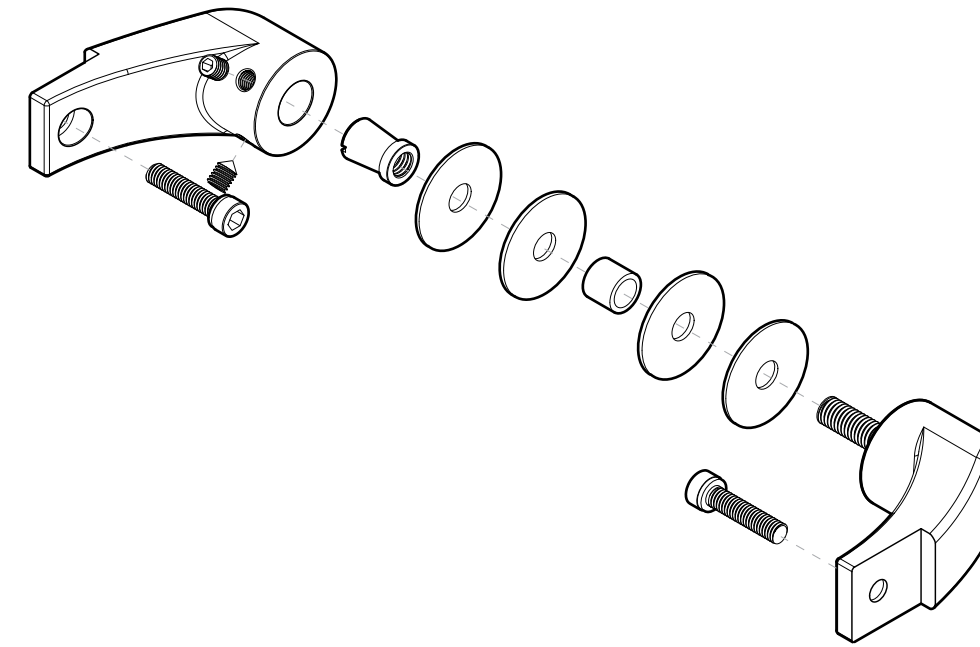
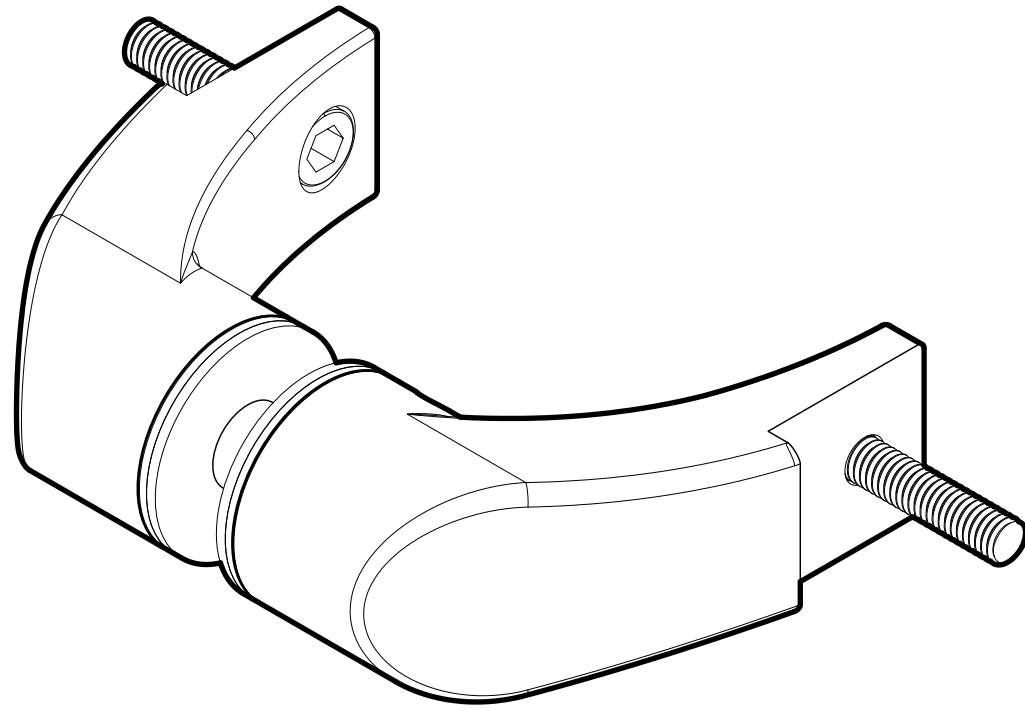
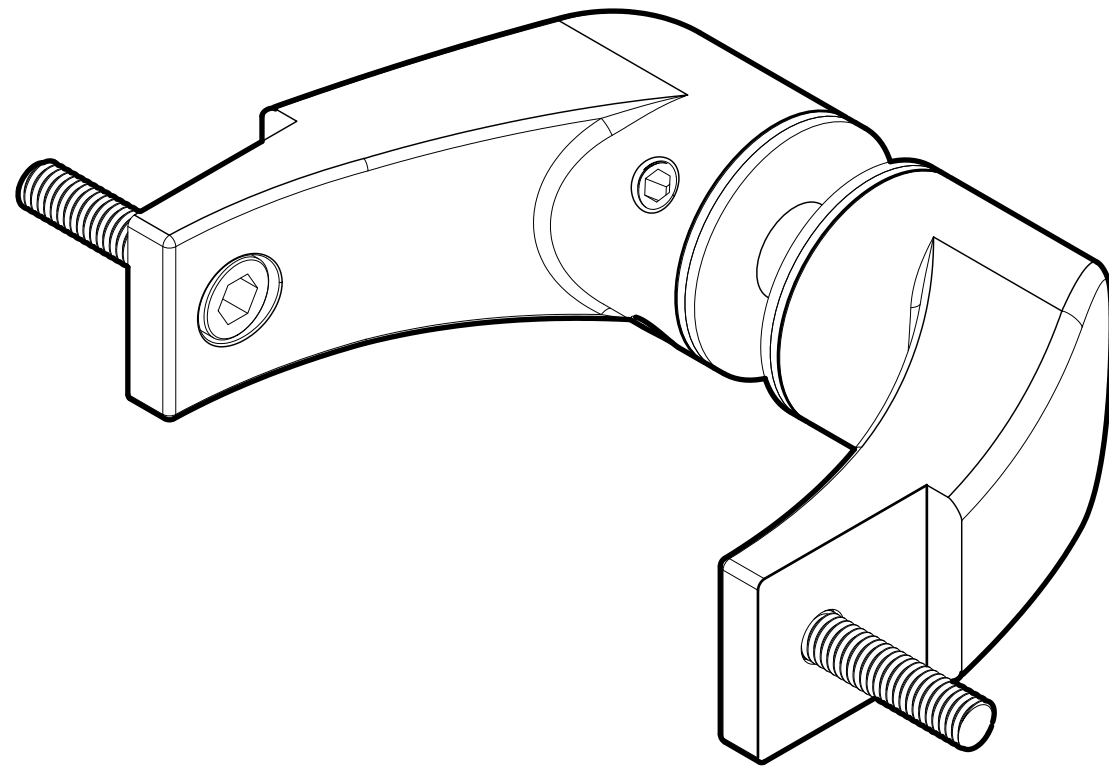


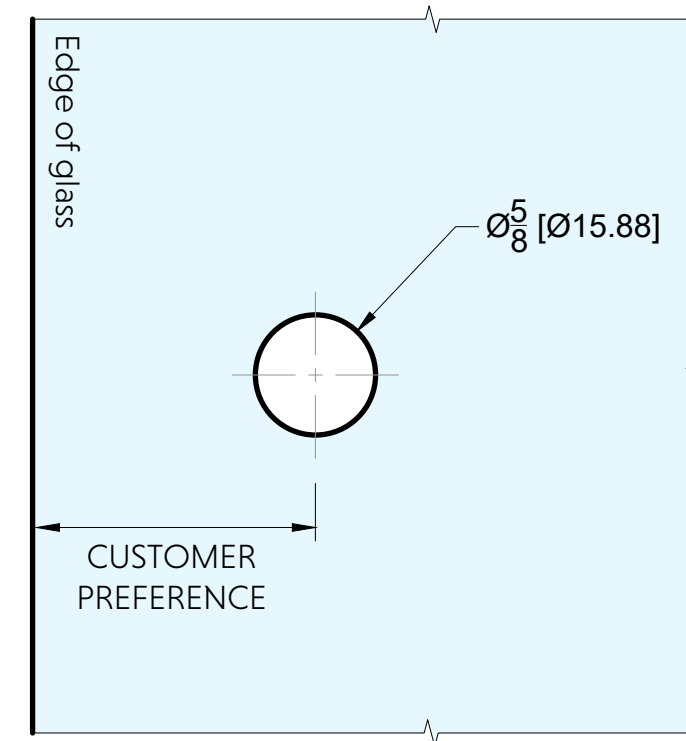
FRONT



BACK



GLASS CUT OUT



10101 NW 79th Ave  
Hialeah Gardens, FL 33016  
Phone: (877) 658-9008

Product: **Offset Mount Posts for Square Commercial Ladder Handle**

Code: SQLHOS

Material: 304 Stainless Steel

**Specifications:**

**Glass thickness:** 3/8" (10 mm) to 1/2" (12 mm).  
Cutout required - Tempered glass only.

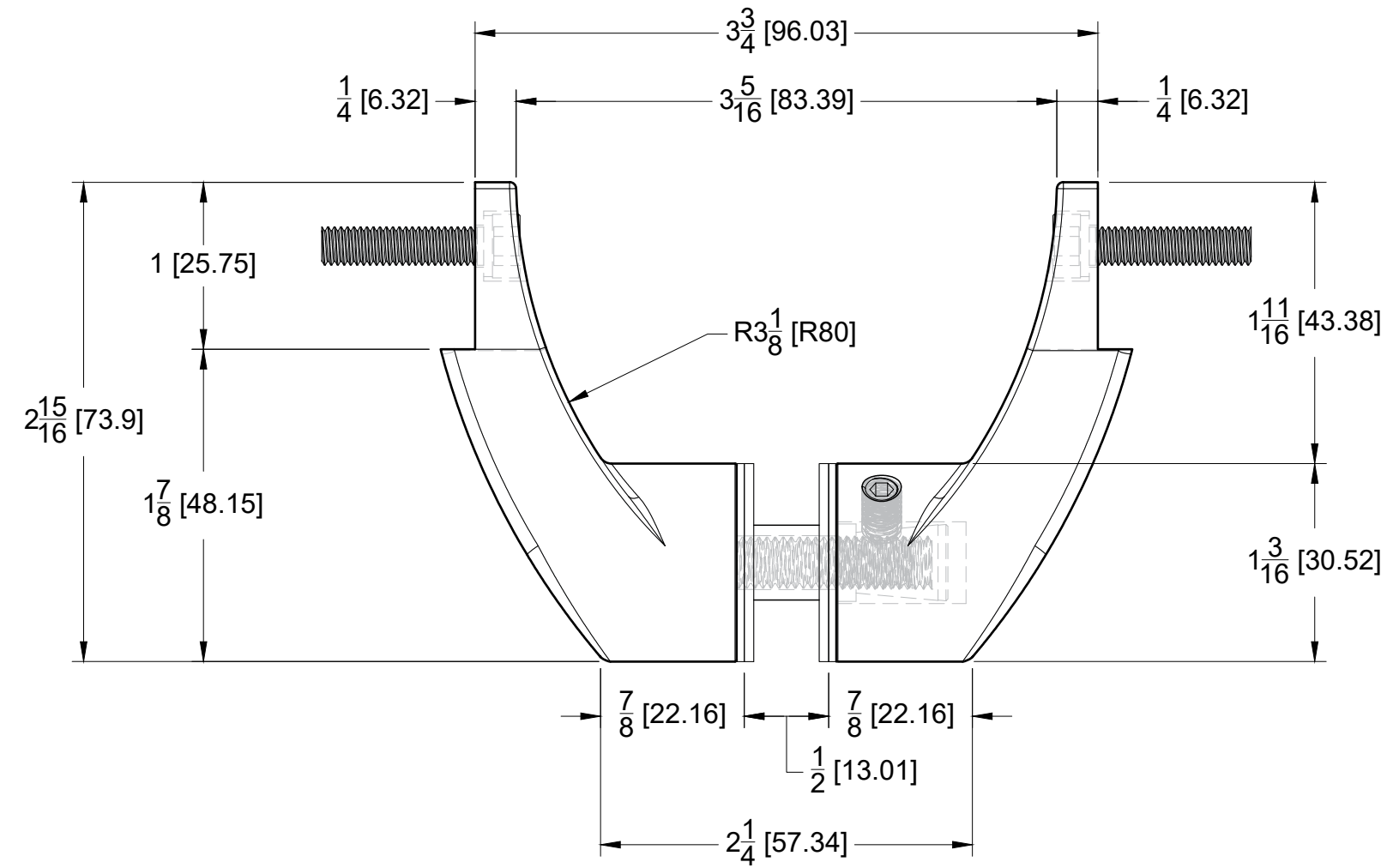
**Includes:** Gaskets, screws and Allen keys for installation.

BEFORE PROCEEDING WITH FABRICATION, PLEASE ENSURE THAT YOU VERIFY ALL MEASUREMENTS. IT IS CRUCIAL TO DOUBLE-CHECK THE SPECIFICATIONS TO AVOID ANY DISCREPANCIES. FOR THE MOST UP-TO-DATE TECHNICAL SPECSHEETS AND CUTOUTS, KINDLY VISIT [GLASSHARDWARE.COM](http://GLASSHARDWARE.COM).

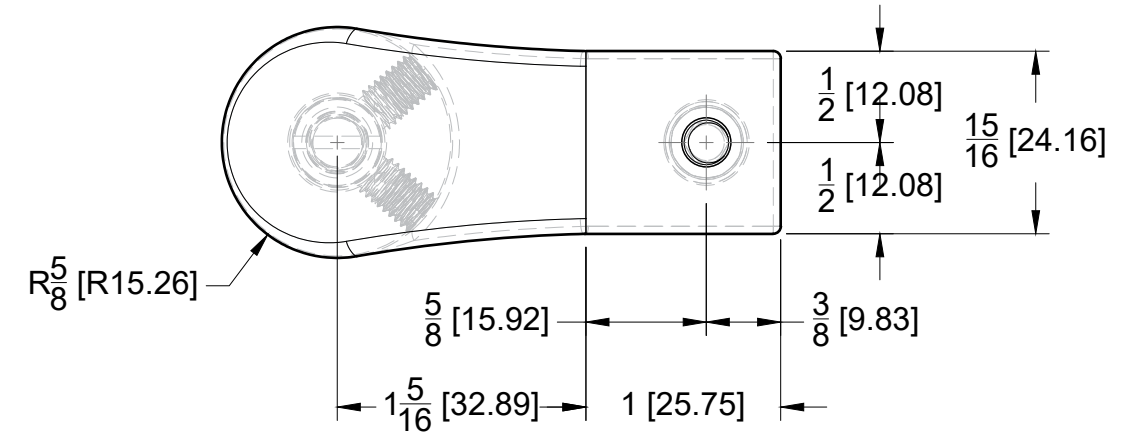
Date: 03/04/25

Sheet N°: 1/2

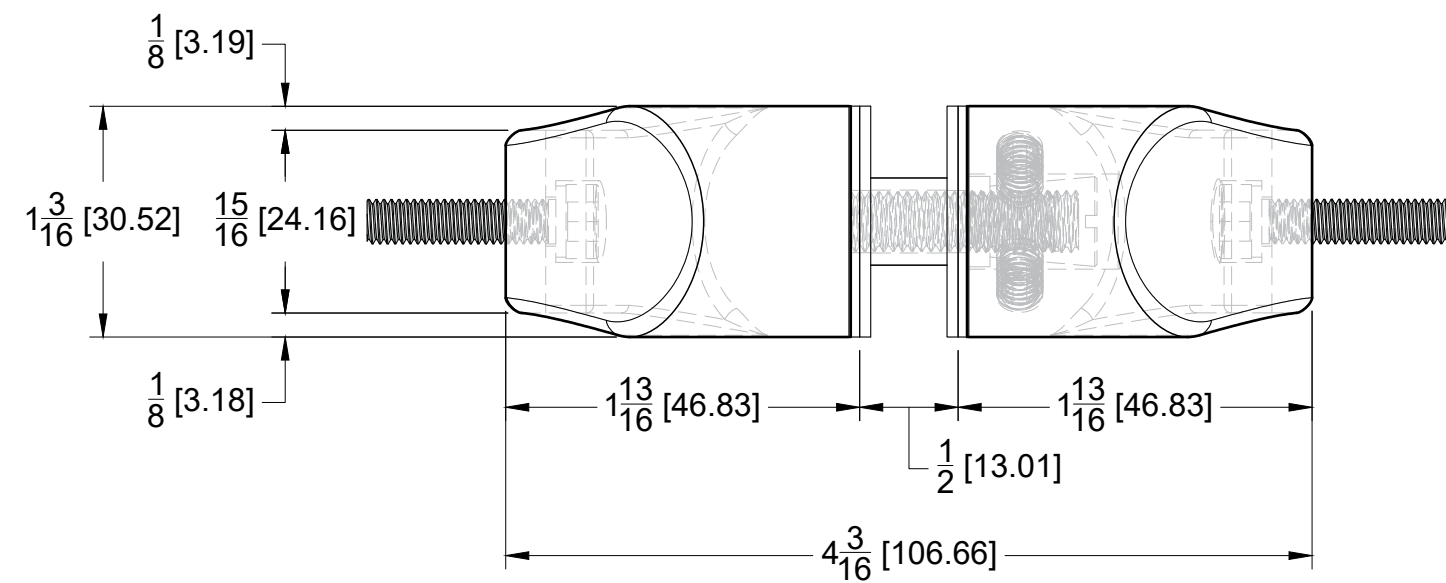
TOP VIEW



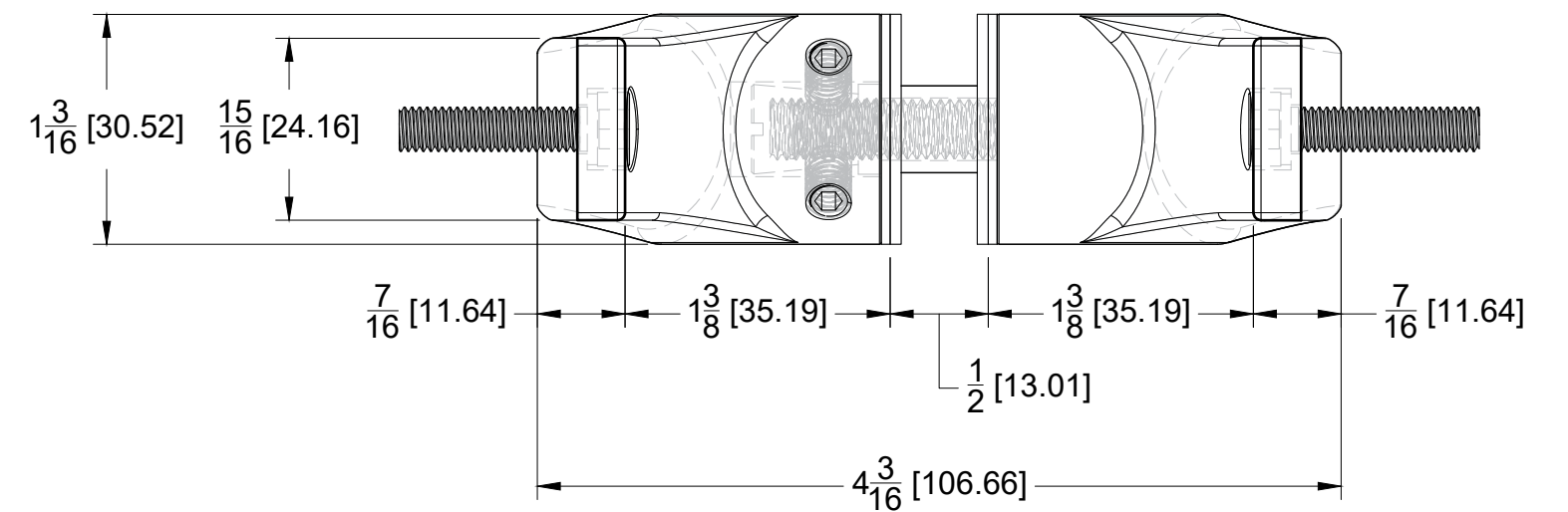
SIDE VIEW



FRONT VIEW



BACK VIEW



10101 NW 79th Ave  
Hialeah Gardens, FL 33016  
Phone: (877) 658-9008

Product: **Offset Mount Posts for Square Commercial Ladder Handle**

Code: SQLHOS

Material: 304 Stainless Steel

**Specifications:**

Glass thickness: 3/8" (10 mm) to 1/2" (12 mm).  
Cutout required - Tempered glass only.

Includes: Gaskets, screws and Allen keys for installation.

BEFORE PROCEEDING WITH FABRICATION, PLEASE ENSURE THAT YOU VERIFY ALL MEASUREMENTS. IT IS CRUCIAL TO DOUBLE-CHECK THE SPECIFICATIONS TO AVOID ANY DISCREPANCIES. FOR THE MOST UP-TO-DATE TECHNICAL SPECSHEETS AND CUTOUTS, KINDLY VISIT [GLASSHARDWARE.COM](http://GLASSHARDWARE.COM).

Date: 03/04/25

Sheet N°: 2/2