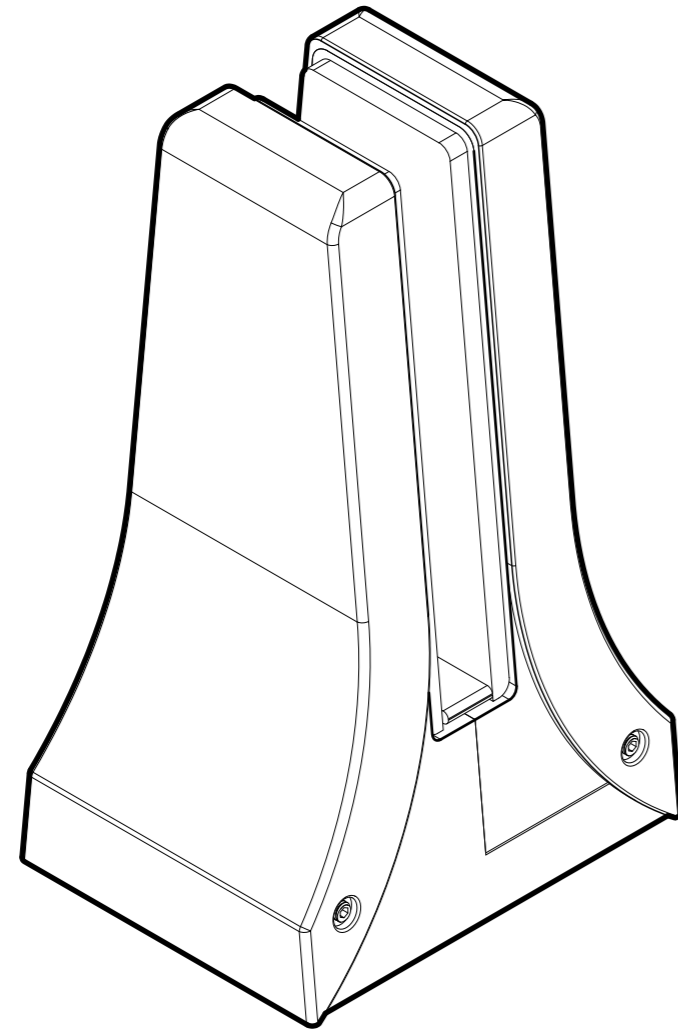
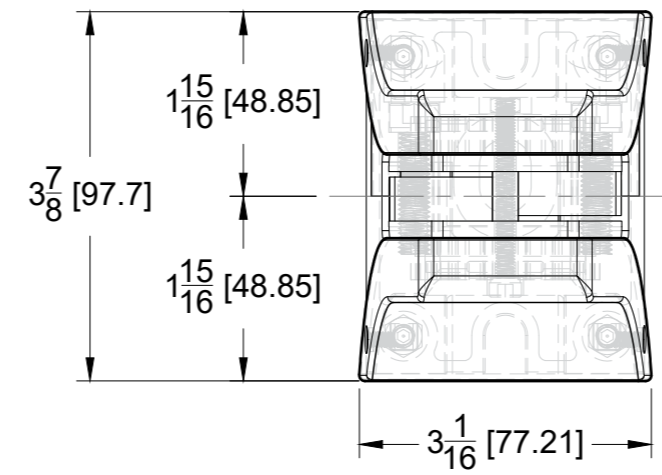


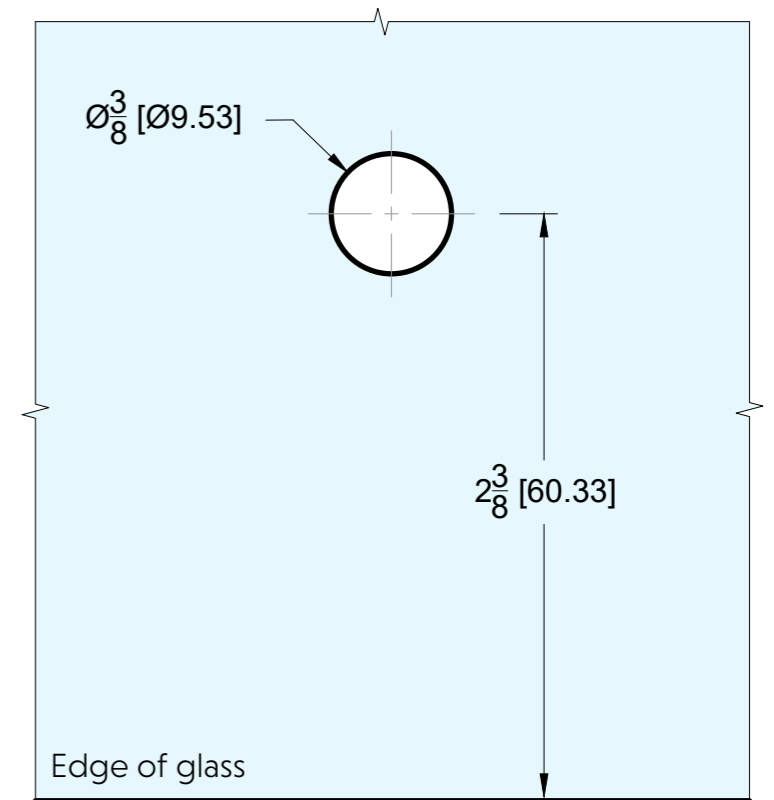
FRONT



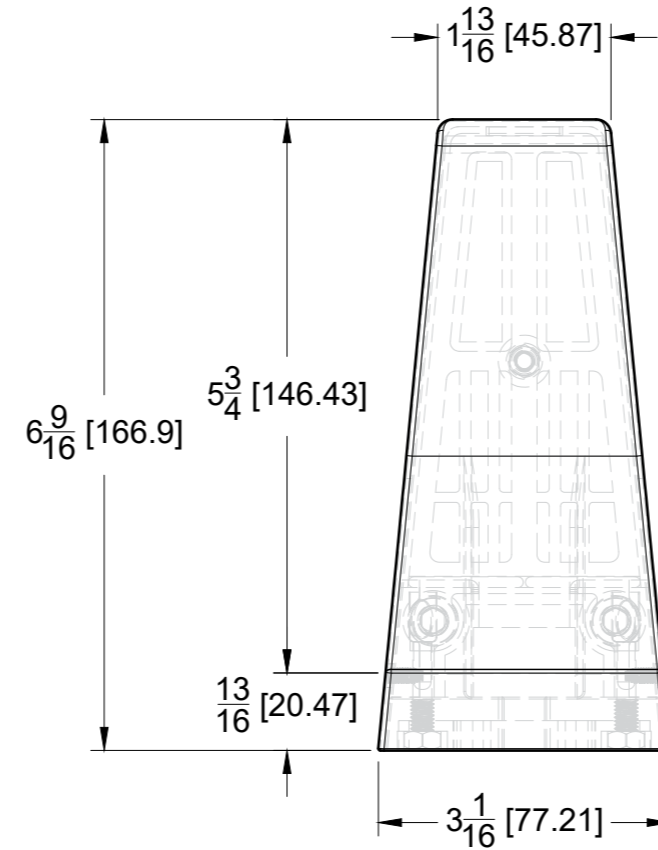
TOP VIEW



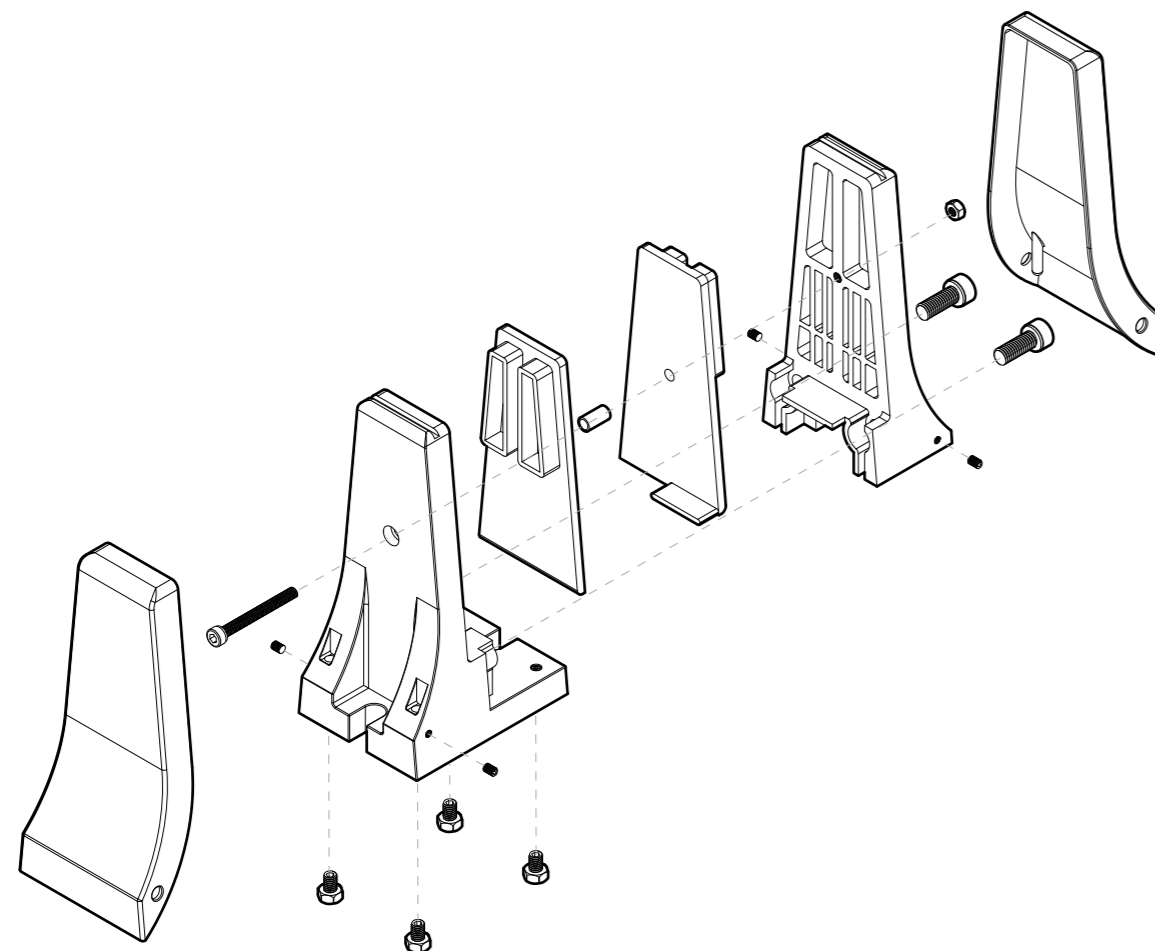
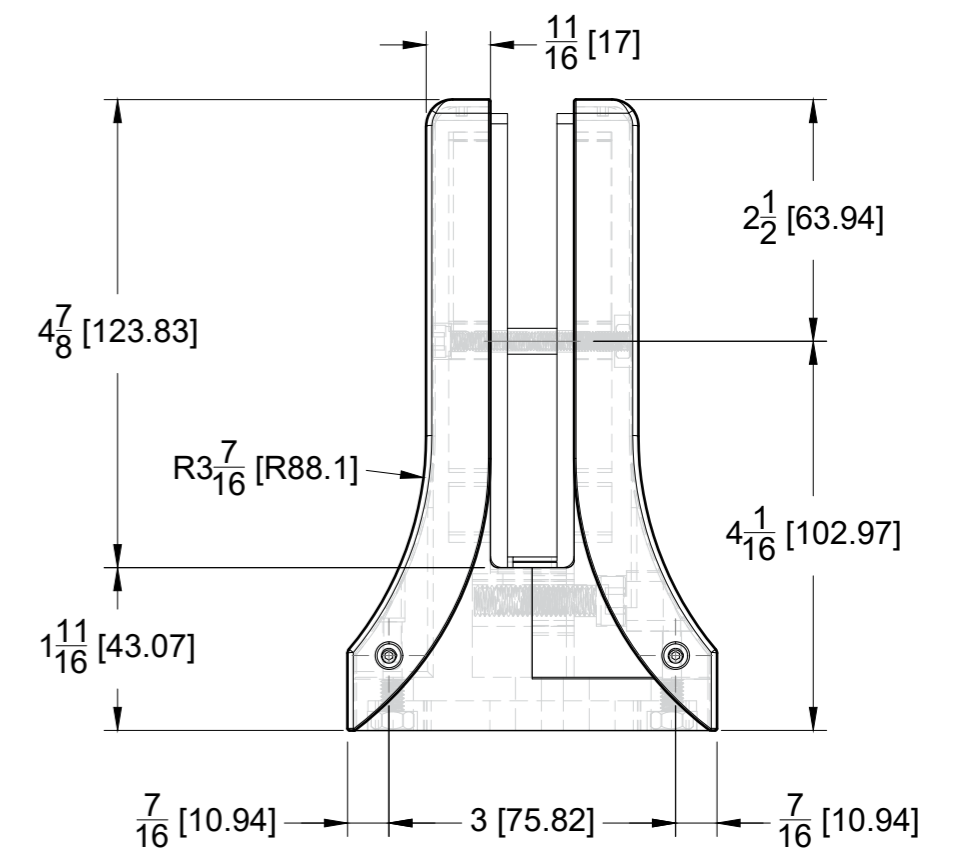
GLASS CUT OUT



FRONT VIEW



SIDE VIEW



10101 NW 79th Ave
Hialeah Gardens, FL 33016
Phone: (877) 658-9008

Product: **316L Stainless Steel Chameleon Spigot**
Code: R360
Material: 316L Stainless Steel

Specifications:
Glass thickness: 9/16" (14.3 mm) to 13/16" (20.64 mm), Cutout required - Laminated glass
Includes: Gaskets and assembly hardware

BEFORE PROCEEDING WITH FABRICATION, PLEASE ENSURE THAT YOU VERIFY ALL MEASUREMENTS. IT IS CRUCIAL TO DOUBLE-CHECK THE SPECIFICATIONS TO AVOID ANY DISCREPANCIES. FOR THE MOST UP-TO-DATE TECHNICAL SPECSHEETS AND CUTOUTS, KINDLY VISIT GLASSHARDWARE.COM.

Date: 03/20/25

Sheet N°: 1/1