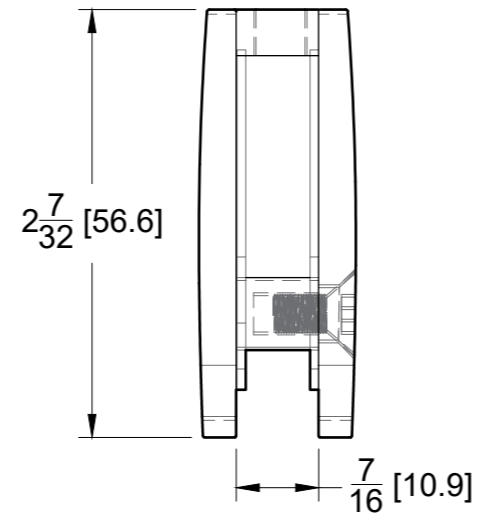
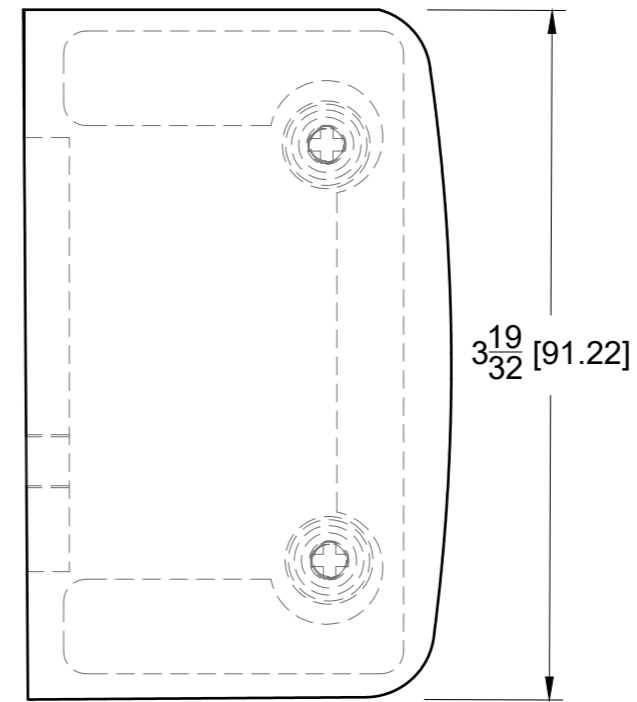


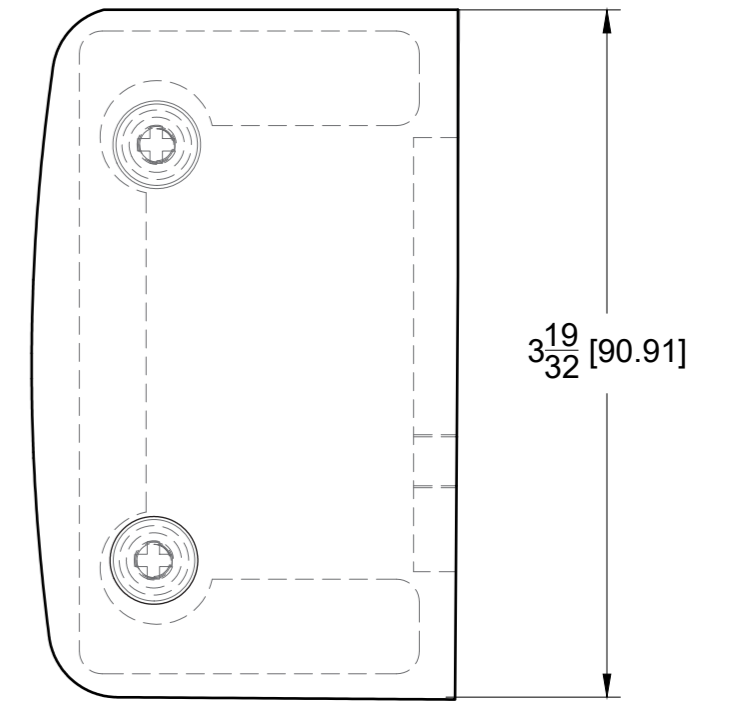
TOP VIEW



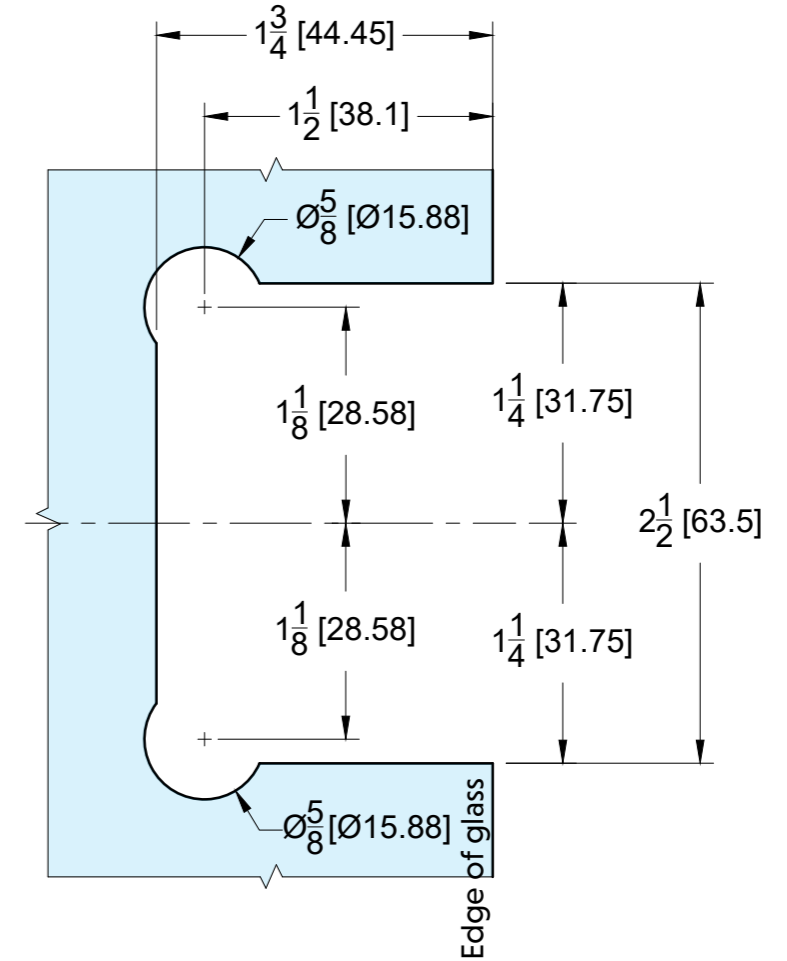
FRONT VIEW



BACK VIEW



GLASS CUT OUT



10101 NW 79th Ave
Hialeah Gardens, FL 33016
Phone: (877) 658-9008

Product:	Glass Door Lock Receiver
Code:	GDL71
Material:	304 Stainless Steel

Specifications:
Glass thickness: 3/8" (10 mm) to 1/2" (12 mm).
Cutout required - Tempered glass only
Includes: Gaskets and screws for installation.

BEFORE PROCEEDING WITH FABRICATION, PLEASE ENSURE THAT YOU VERIFY ALL MEASUREMENTS. IT IS CRUCIAL TO DOUBLE-CHECK THE SPECIFICATIONS TO AVOID ANY DISCREPANCIES. FOR THE MOST UP-TO-DATE TECHNICAL SPECSHEETS AND CUTOUTS, KINDLY VISIT GLASSHARDWARE.COM.

Date: 02/28/2025