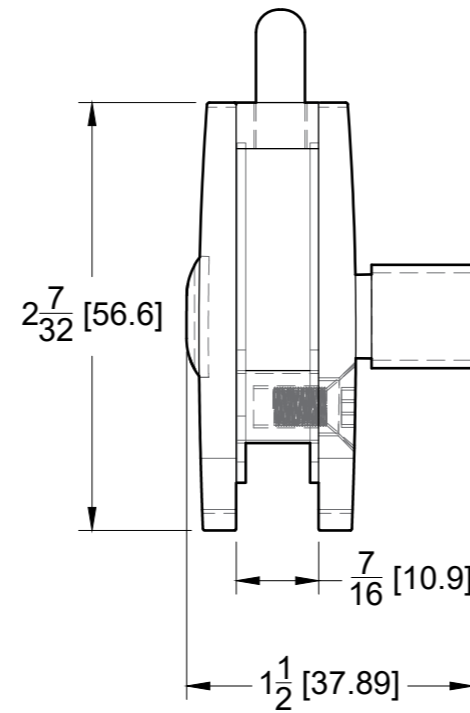
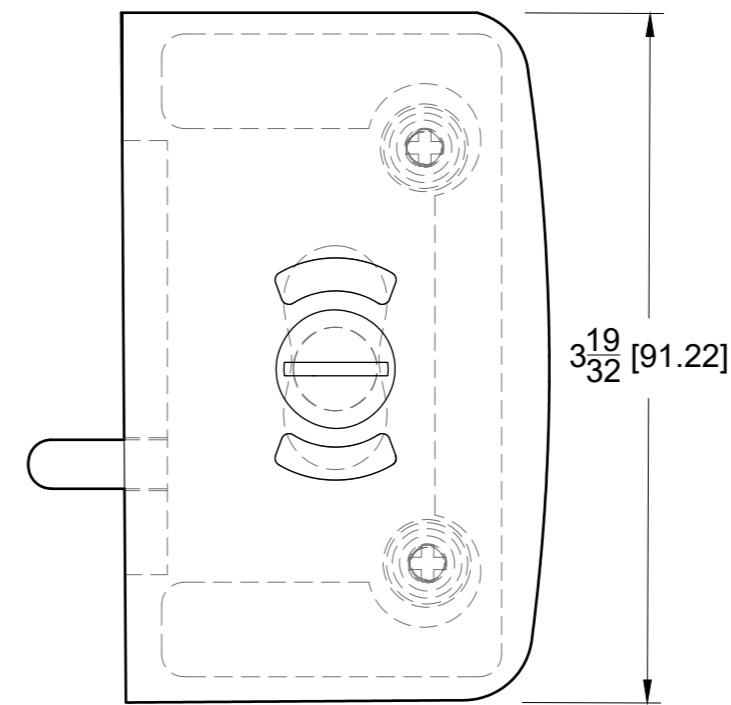


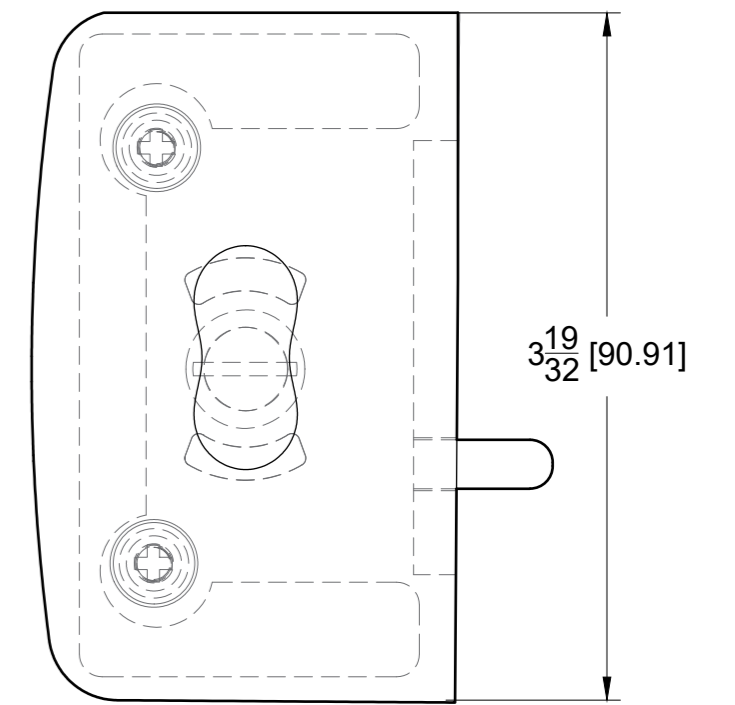
TOP VIEW



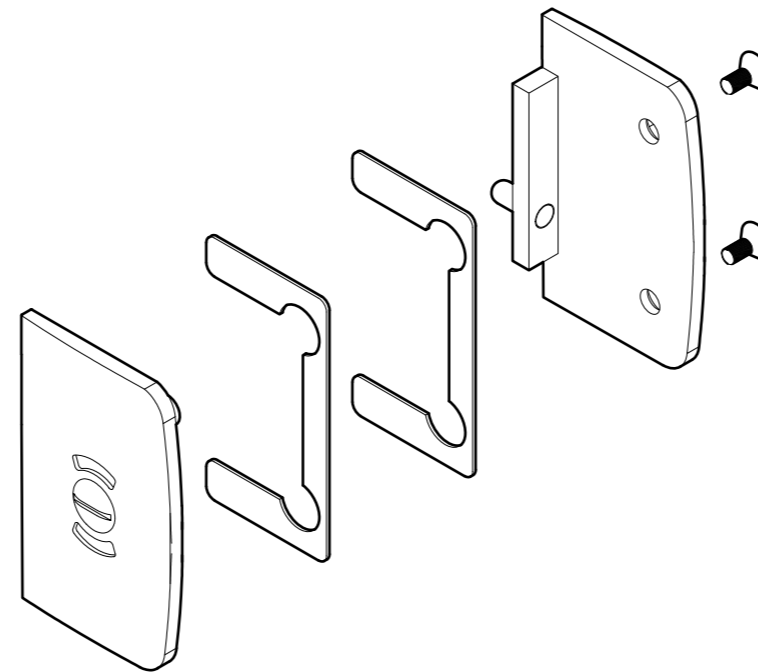
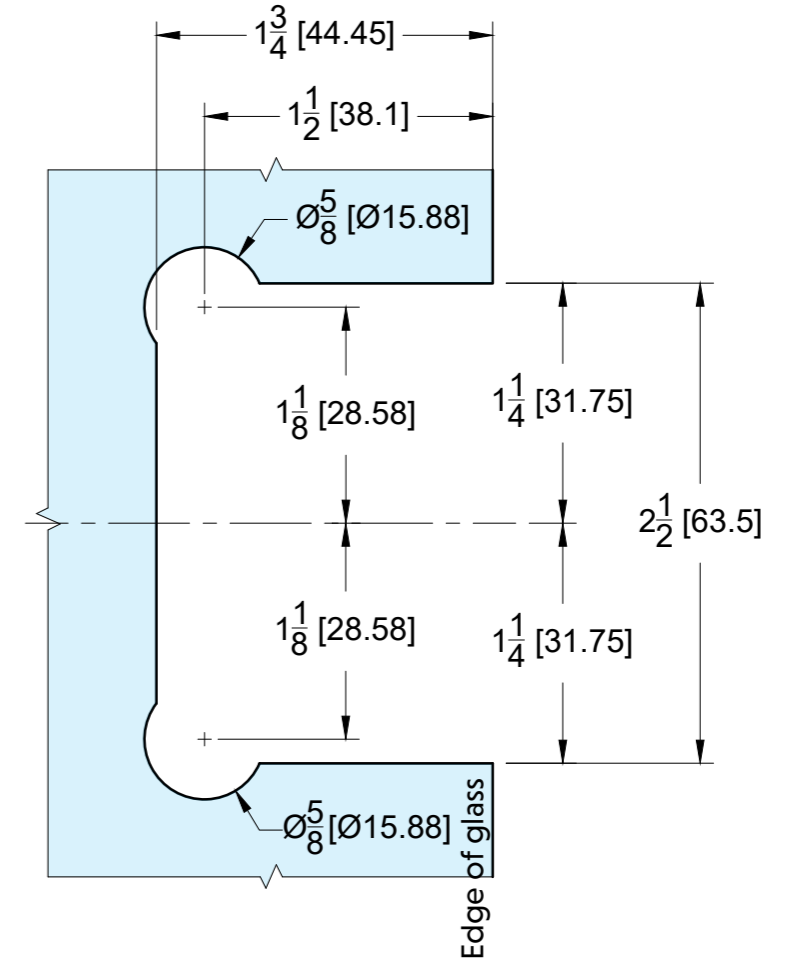
FRONT VIEW



BACK VIEW



GLASS CUT OUT



10101 NW 79th Ave  
 Hialeah Gardens, FL 33016  
 Phone: (877) 658-9008

Product: **Glass Door Lock with Indicator**  
 Code: GDL70  
 Material: 304 Stainless Steel

Specifications:  
 Glass thickness: 3/8" (10 mm) to 1/2" (12 mm).  
 Cutout required - Tempered glass only  
 Includes: Gaskets and screws for installation

BEFORE PROCEEDING WITH FABRICATION, PLEASE ENSURE THAT YOU VERIFY ALL MEASUREMENTS. IT IS CRUCIAL TO DOUBLE-CHECK THE SPECIFICATIONS TO AVOID ANY DISCREPANCIES. FOR THE MOST UP-TO-DATE TECHNICAL SPECSHEETS AND CUTOUTS, KINDLY VISIT [GLASSHARDWARE.COM](http://GLASSHARDWARE.COM).  
 Date: 02/28/2025