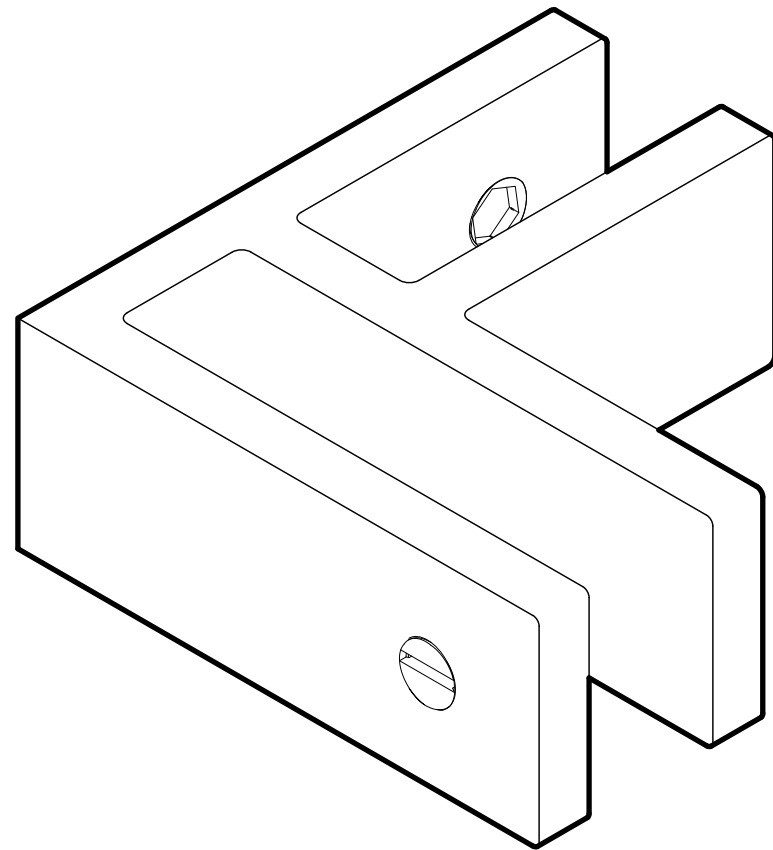
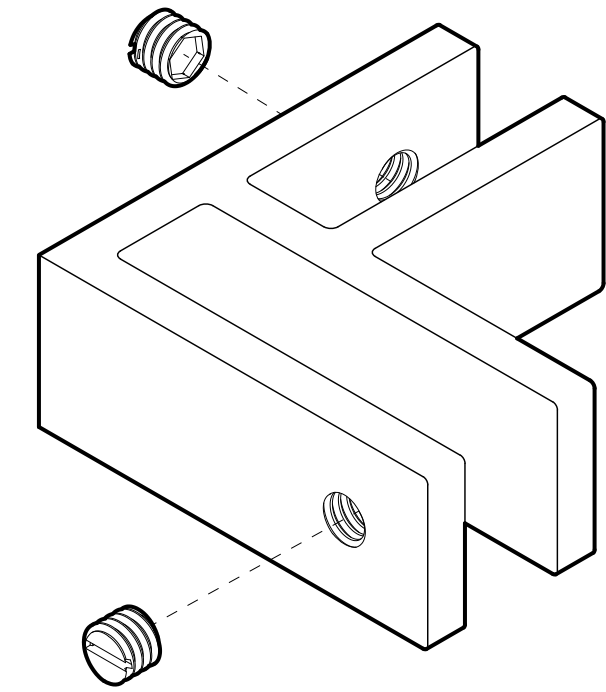
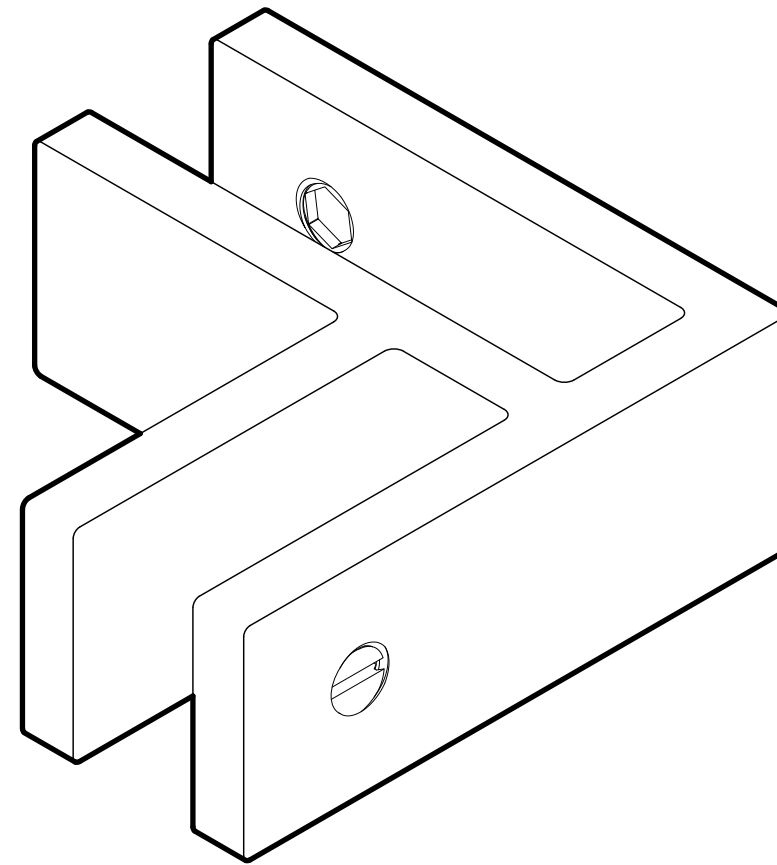


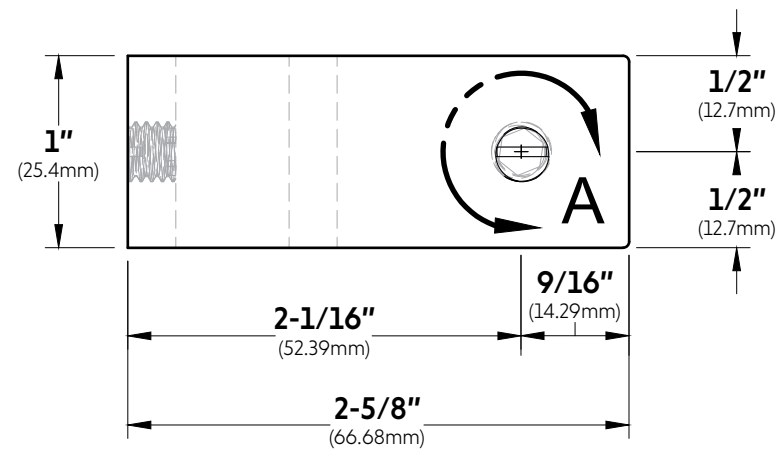
FRONT



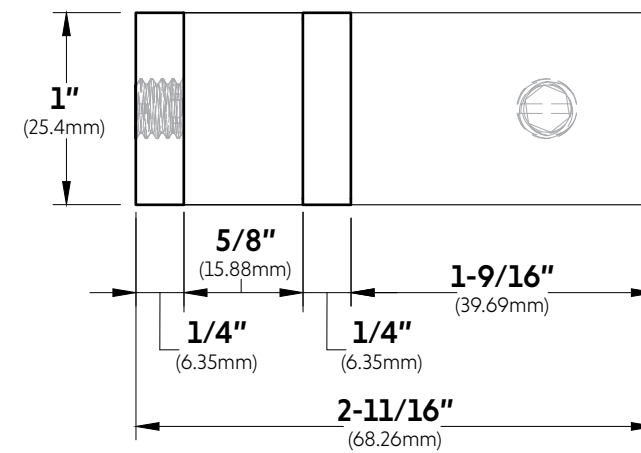
BACK



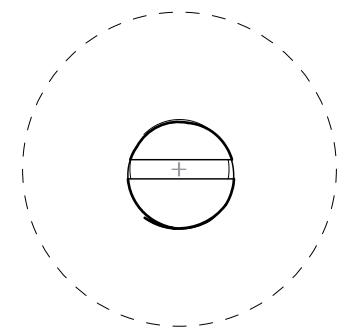
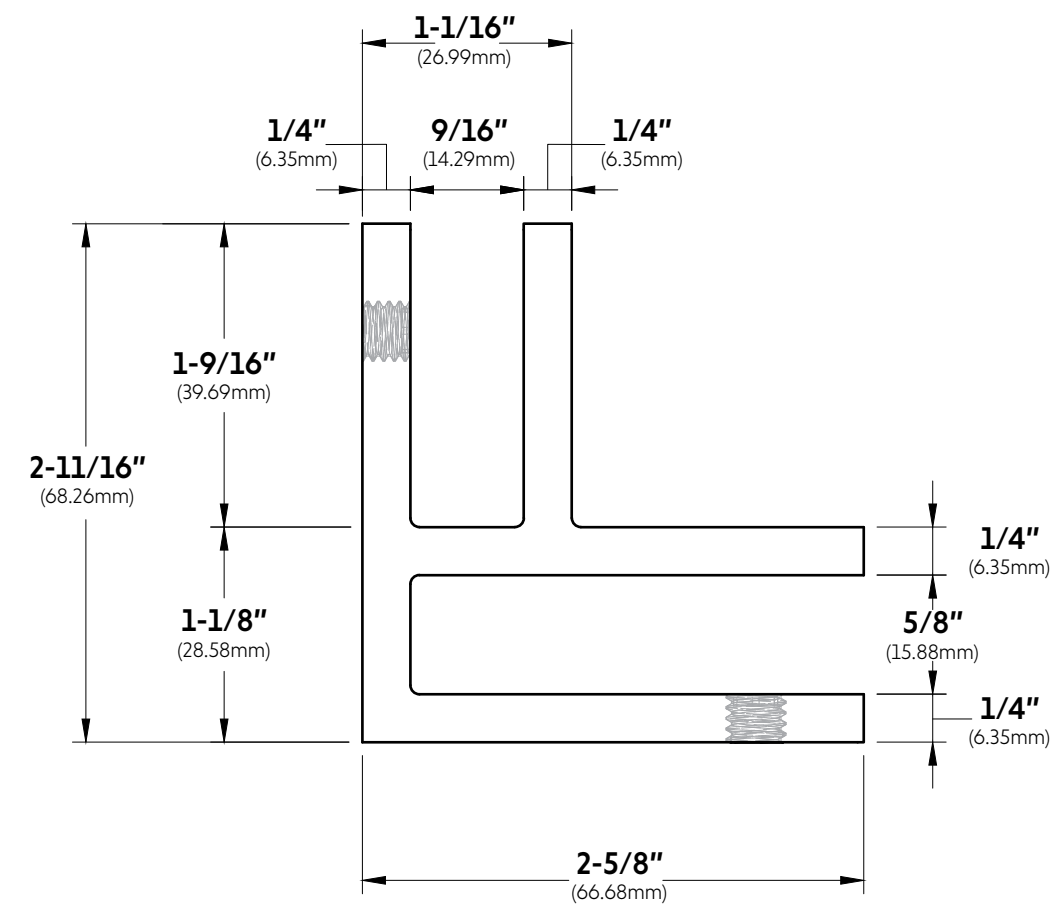
FRONT VIEW



SIDE VIEW



TOP VIEW



DETAIL A  
SCREW M2



10101 NW 79th Ave  
Hialeah Gardens, FL 33016  
Phone: (877) 658-9008  
Fax: (888) 280-2285

Product:

90 Degree Glass Bracing Clamp

Code:

R96

Material:

316L Stainless Steel

Specifications:

Glass thickness: 1/2" (12 mm) to 9/16" (14.3 mm).  
Cutout not required - Tempered and laminated glass.

Includes: Grub screws and gaskets for installation.

BEFORE PROCEEDING WITH FABRICATION, PLEASE ENSURE THAT YOU VERIFY ALL MEASUREMENTS. IT IS CRUCIAL TO DOUBLE-CHECK THE SPECIFICATIONS TO AVOID ANY DISCREPANCIES. FOR THE MOST UP-TO-DATE TECHNICAL SPECSHEETS AND CUTOUTS, KINDLY VISIT [GLASSHARDWARE.COM](http://GLASSHARDWARE.COM).

Date: 12/23/24