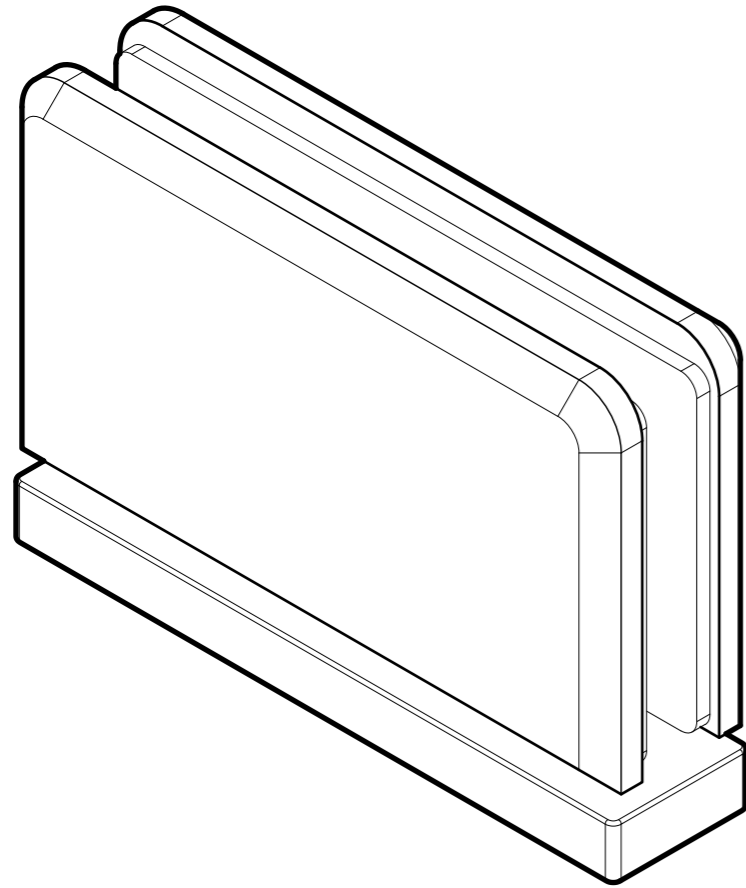
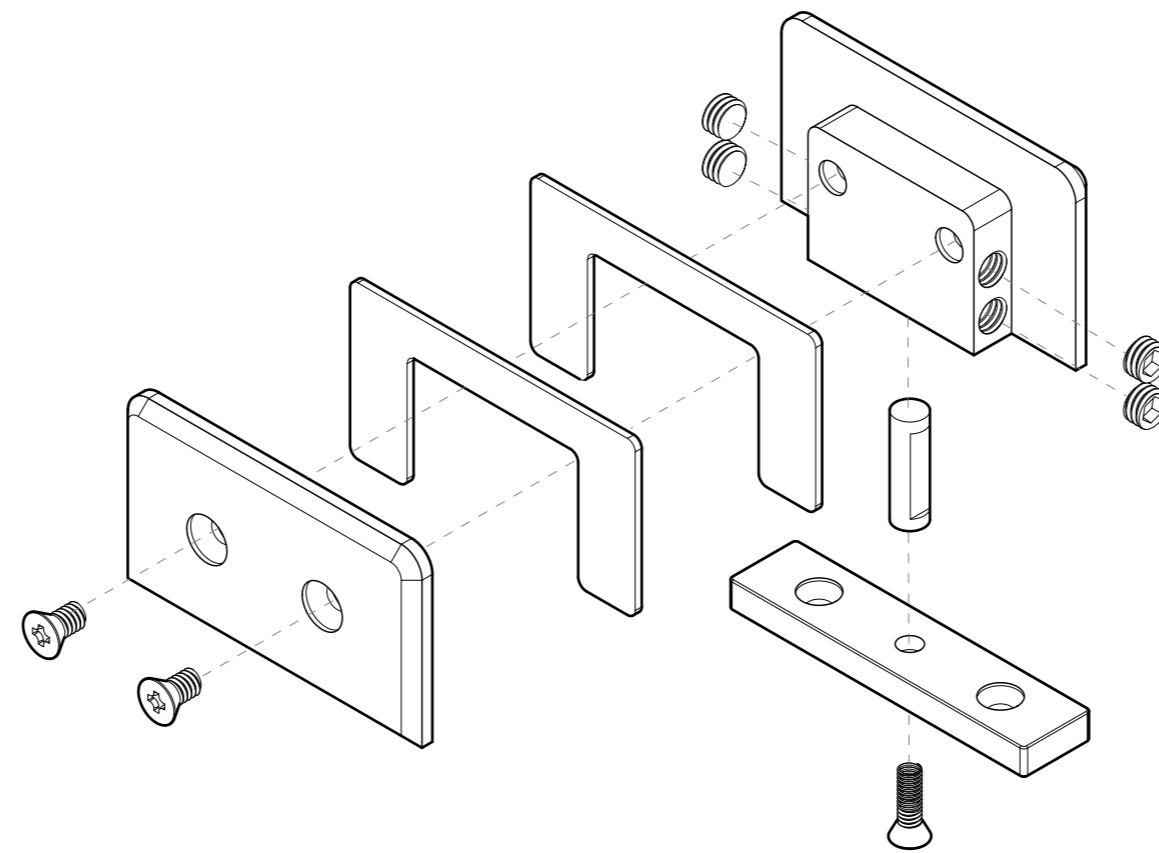
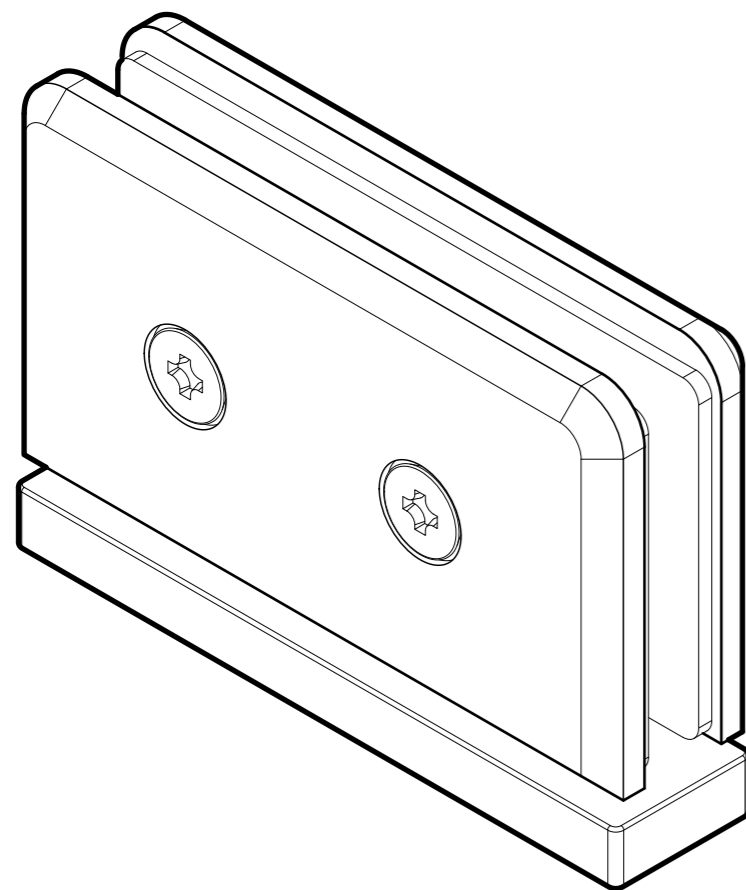


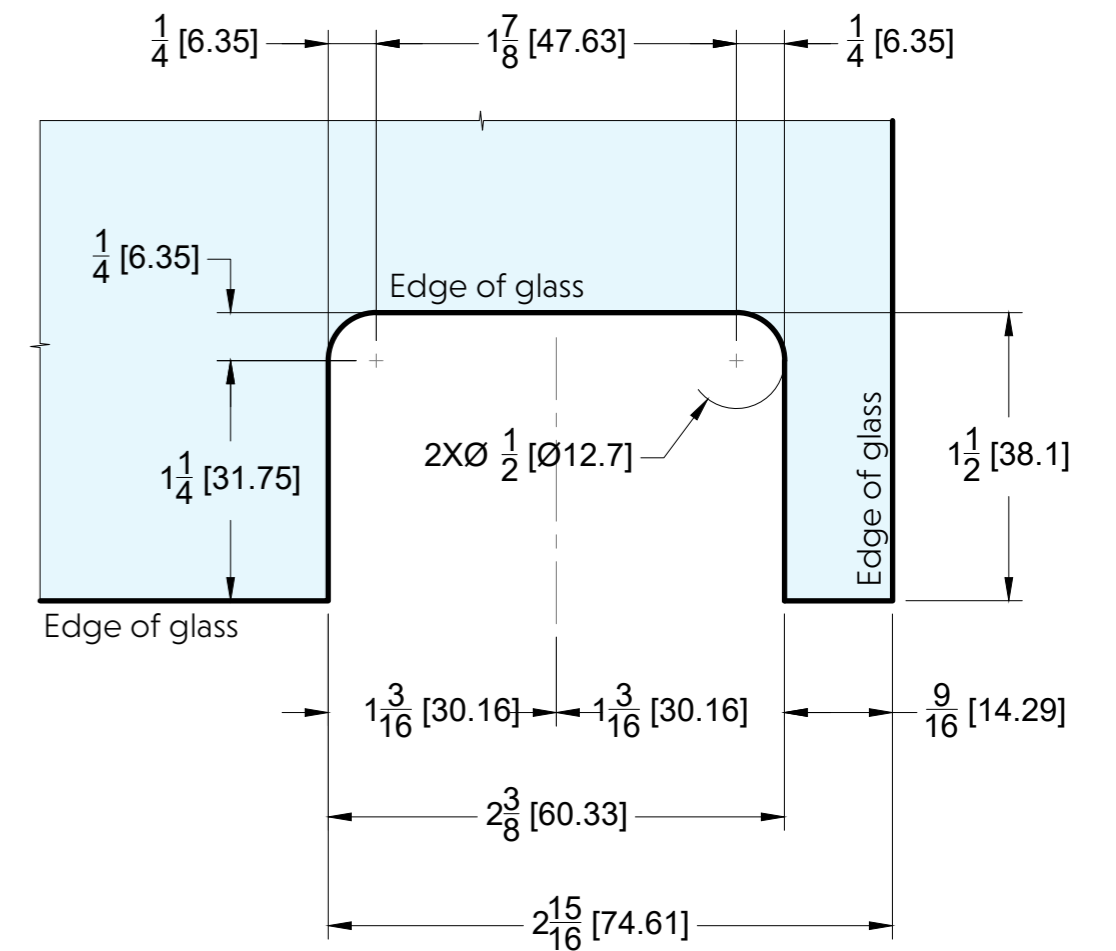
FRONT



BACK



GLASS CUT OUT



10101 NW 79th Ave
 Hialeah Gardens, FL 33016
 Phone: (877) 658-9008
 Fax: (888) 280-2285

Product: **Top and Bottom Bilboa Pivot Hinge**

Code: H306

Material: Solid Brass

Specifications:

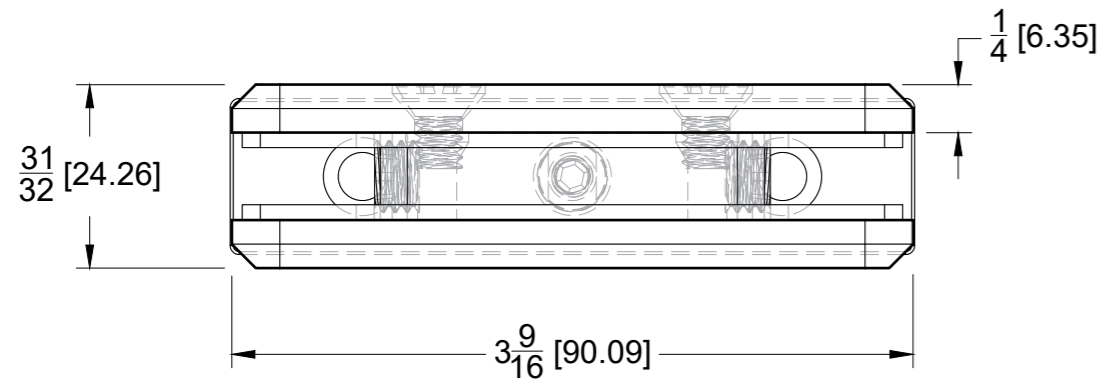
Glass thickness: $\frac{3}{8}$ " (10 mm) to $\frac{1}{2}$ " (12 mm).
 Cutout required - Tempered glass only
 Includes: Gaskets, three screws and an Allen key.

BEFORE PROCEEDING WITH FABRICATION, PLEASE ENSURE THAT YOU VERIFY ALL MEASUREMENTS. IT IS CRUCIAL TO DOUBLE-CHECK THE SPECIFICATIONS TO AVOID ANY DISCREPANCIES. FOR THE MOST UP-TO-DATE TECHNICAL SPECSHEETS AND CUTOUTS, KINDLY VISIT GLASSHARDWARE.COM.

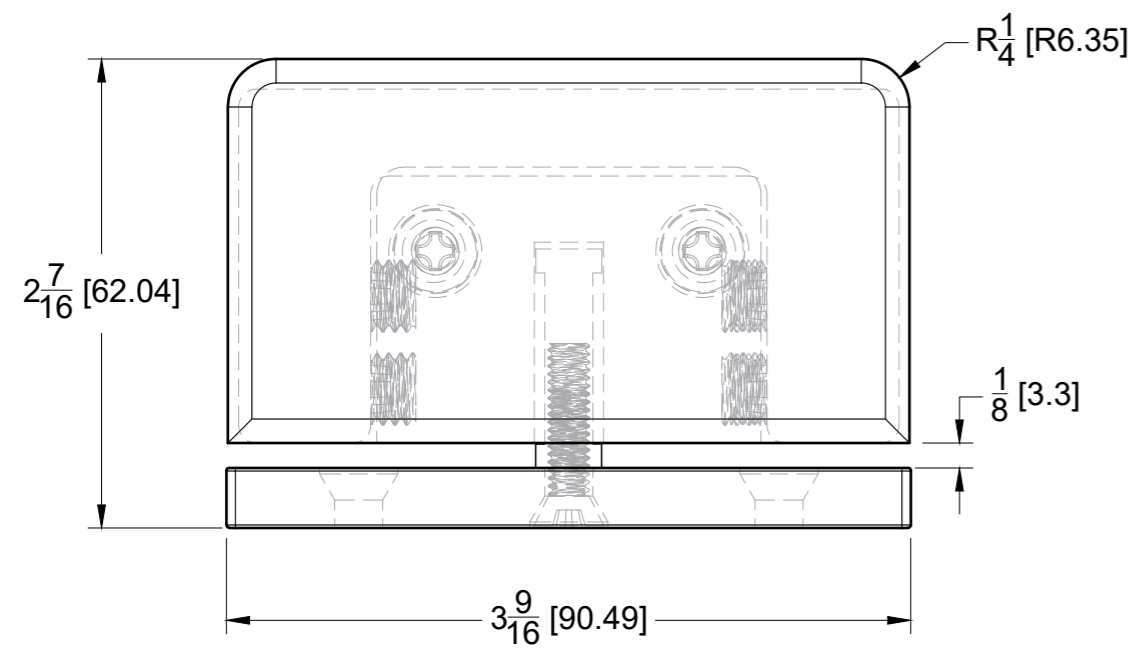
Date: 11/04/24

Sheet N°: 1/2

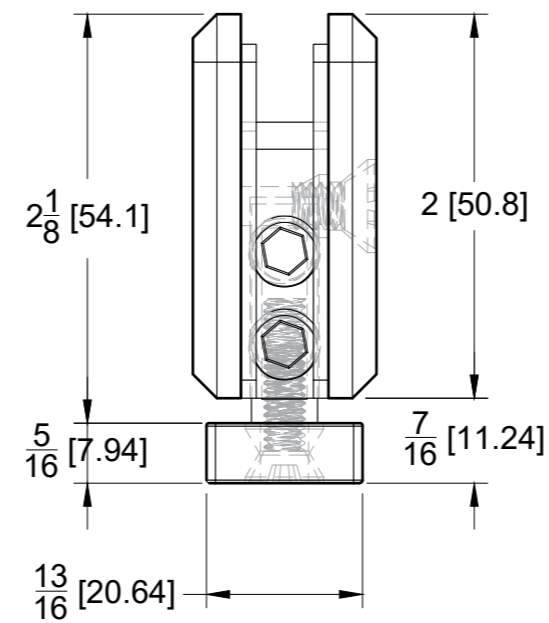
TOP VIEW



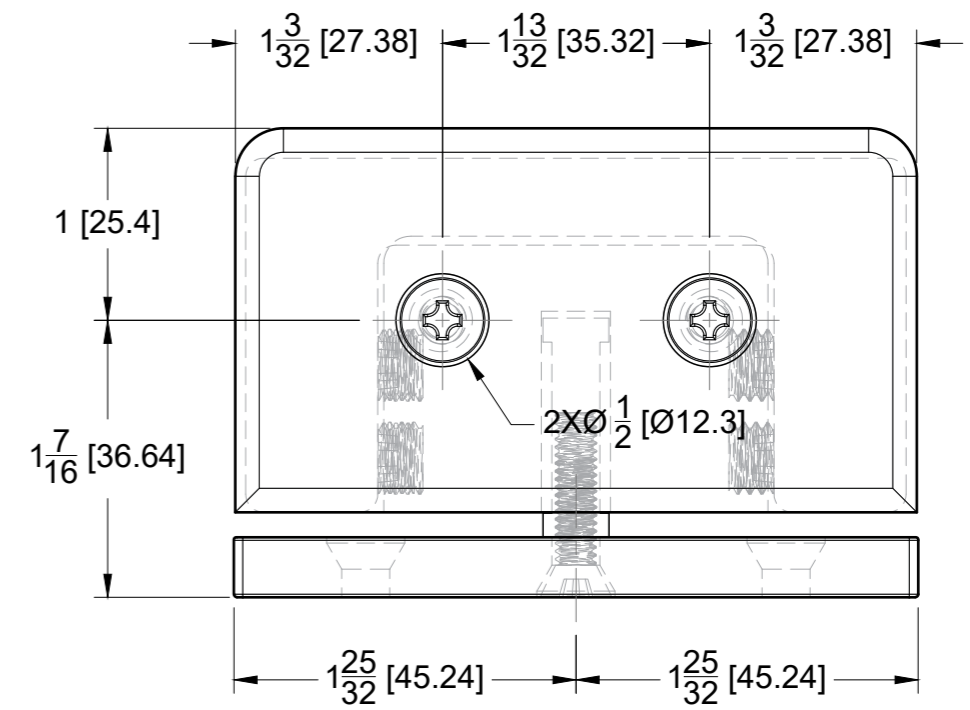
FRONT VIEW



SIDE VIEW



BACK VIEW



10101 NW 79th Ave
 Hialeah Gardens, FL 33016
 Phone: (877) 658-9008
 Fax: (888) 280-2285

Product: **Top and Bottom Bilboa Pivot Hinge**

Code: H306

Material: Solid Brass

Specifications:

Glass thickness: 3/8" (10 mm) to 1/2" (12 mm).
 Cutout required - Tempered glass only

Includes: Gaskets, three screws and an Allen key.

BEFORE PROCEEDING WITH FABRICATION, PLEASE ENSURE THAT YOU VERIFY ALL MEASUREMENTS. IT IS CRUCIAL TO DOUBLE-CHECK THE SPECIFICATIONS TO AVOID ANY DISCREPANCIES. FOR THE MOST UP-TO-DATE TECHNICAL SPECSHEETS AND CUTOUTS, KINDLY VISIT GLASSHARDWARE.COM.

Date: 11/04/24

Sheet N°: 2/2