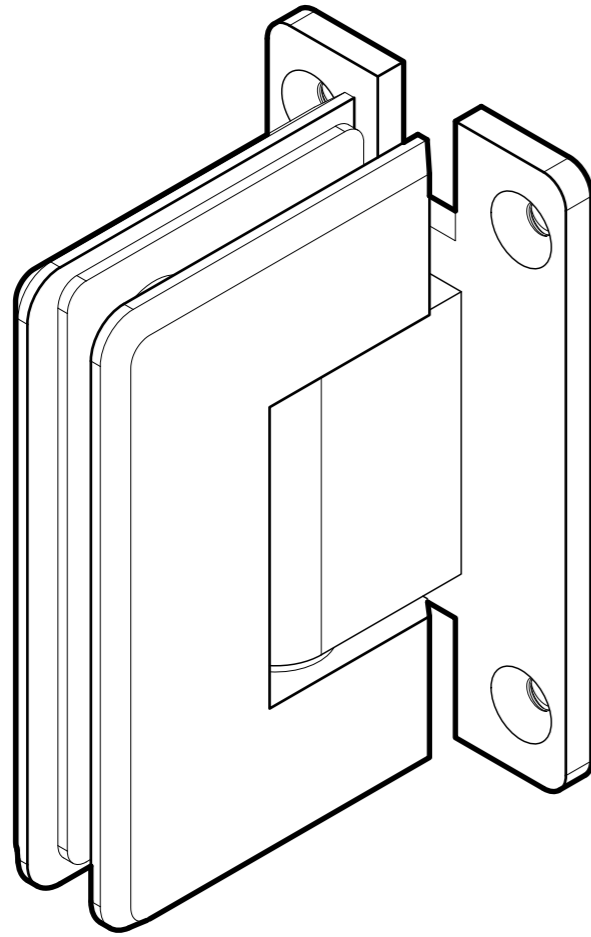
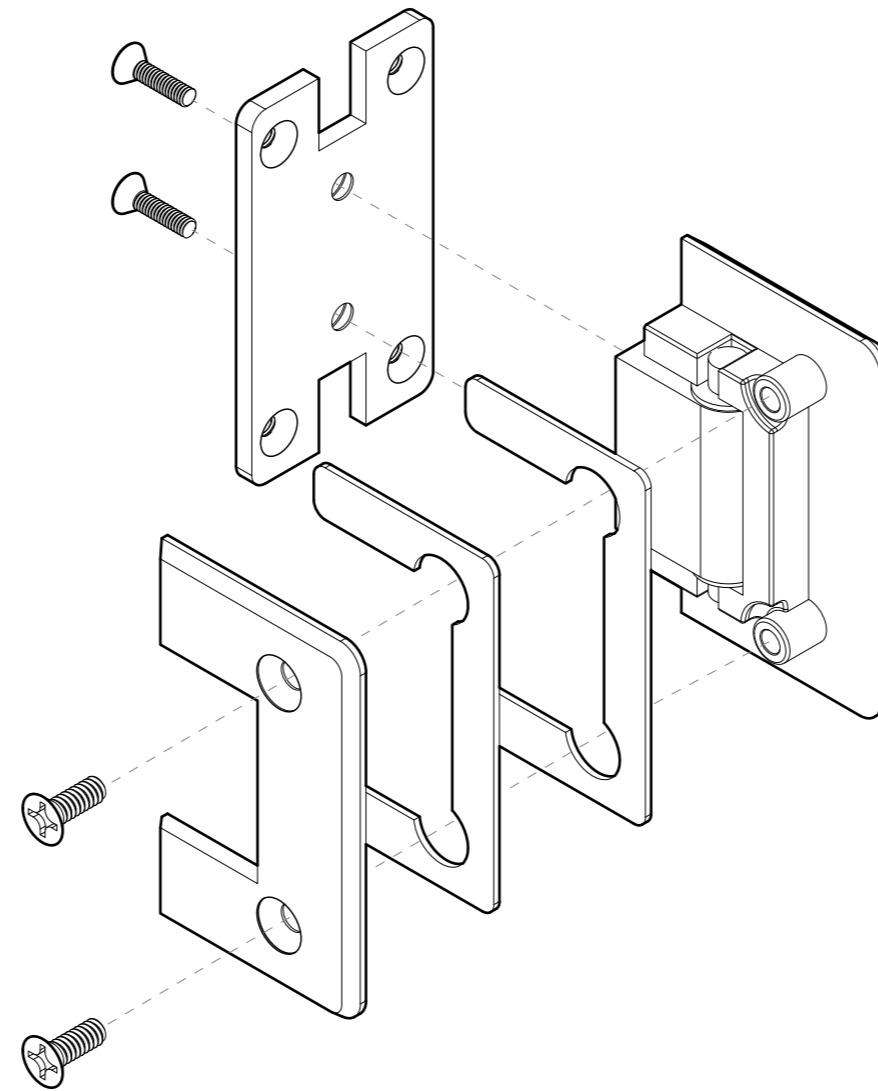
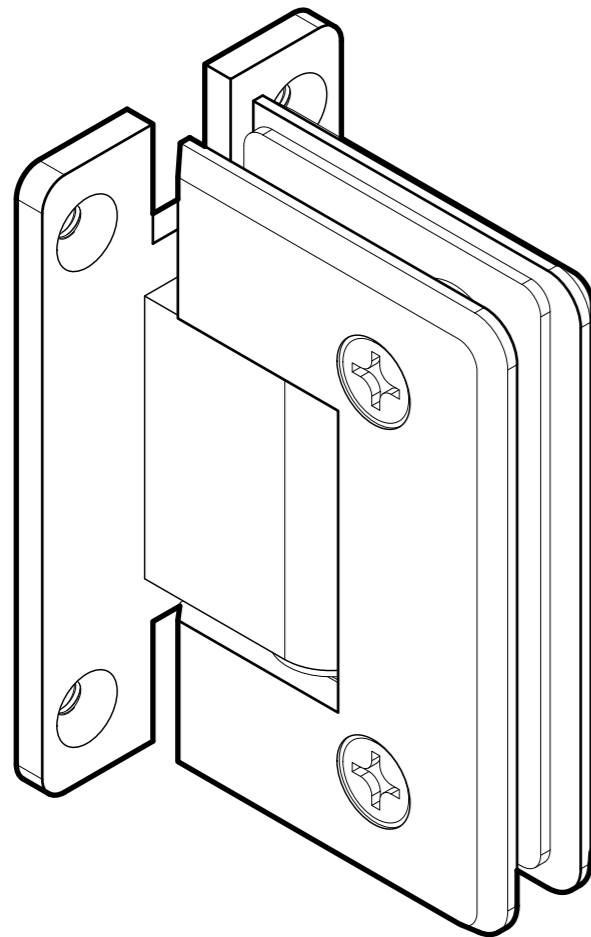


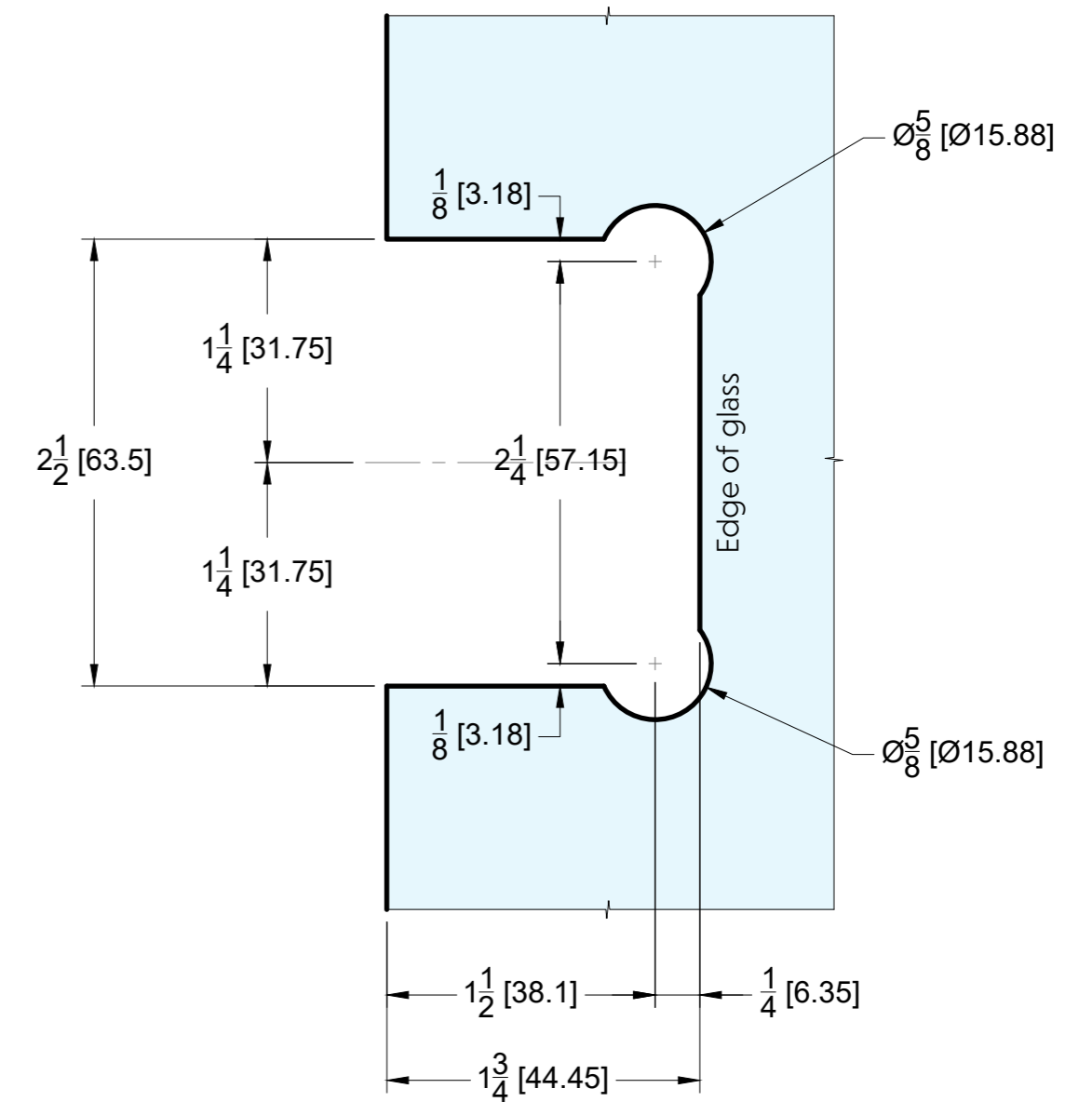
FRONT



BACK



GLASS CUT OUT



10101 NW 79th Ave  
Hialeah Gardens, FL 33016  
Phone: (877) 658-9008  
Fax: (888) 280-2285

Product: **Wall-to-Glass "H" Back Bilboa Hinge**  
Code: H301H  
Material: Solid Brass

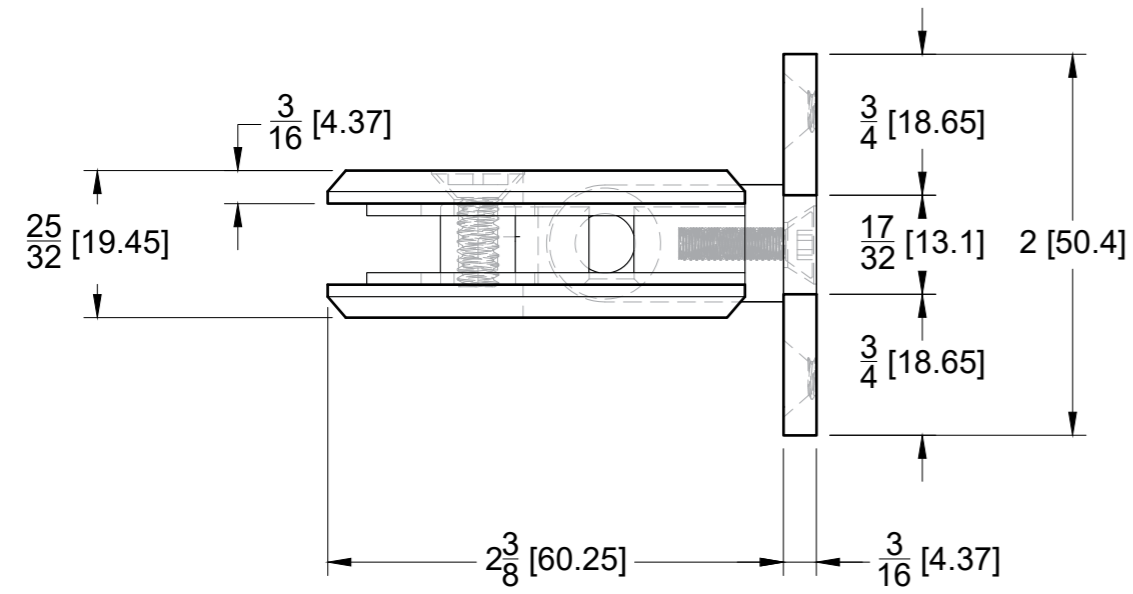
Specifications:  
Glass thickness: 3/8" (10 mm) to 1/2" (12 mm).  
Cutout required - Tempered glass only  
Includes: Screws and gaskets for installation.

BEFORE PROCEEDING WITH FABRICATION, PLEASE ENSURE THAT YOU VERIFY ALL MEASUREMENTS. IT IS CRUCIAL TO DOUBLE-CHECK THE SPECIFICATIONS TO AVOID ANY DISCREPANCIES. FOR THE MOST UP-TO-DATE TECHNICAL SPECSHEETS AND CUTOUTS, KINDLY VISIT [GLASSHARDWARE.COM](http://GLASSHARDWARE.COM).

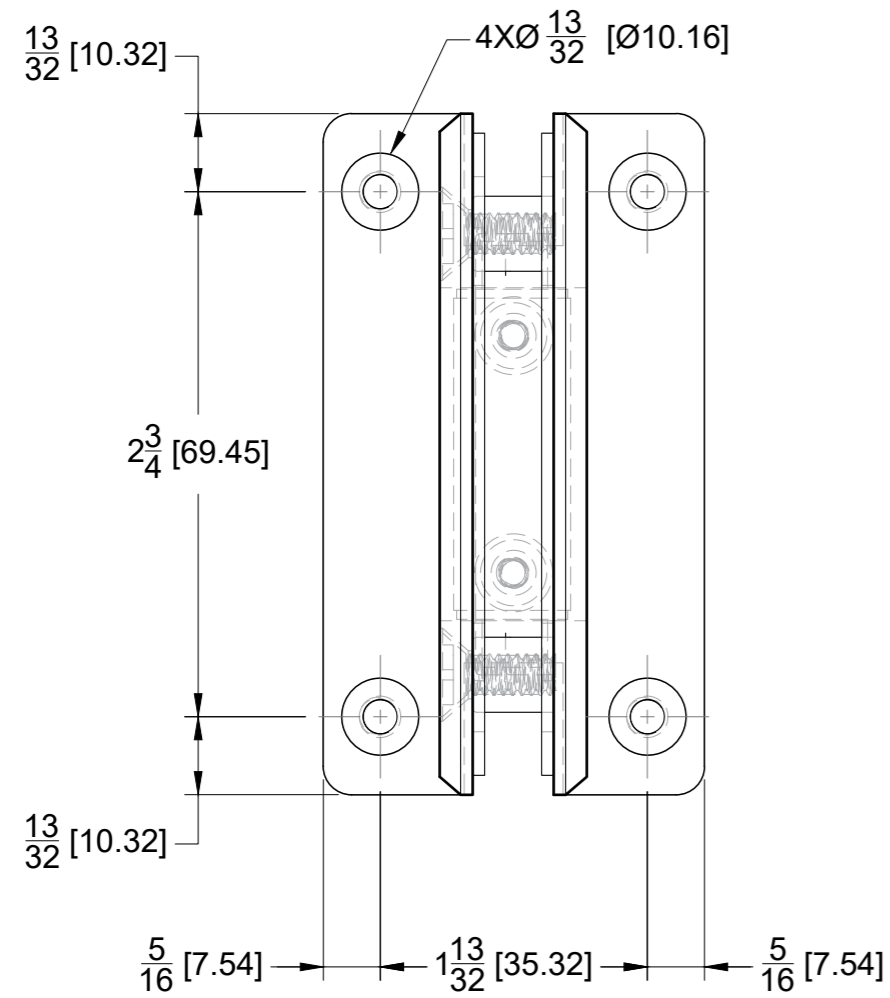
Date: 11/14/24

Sheet N°: 1/2

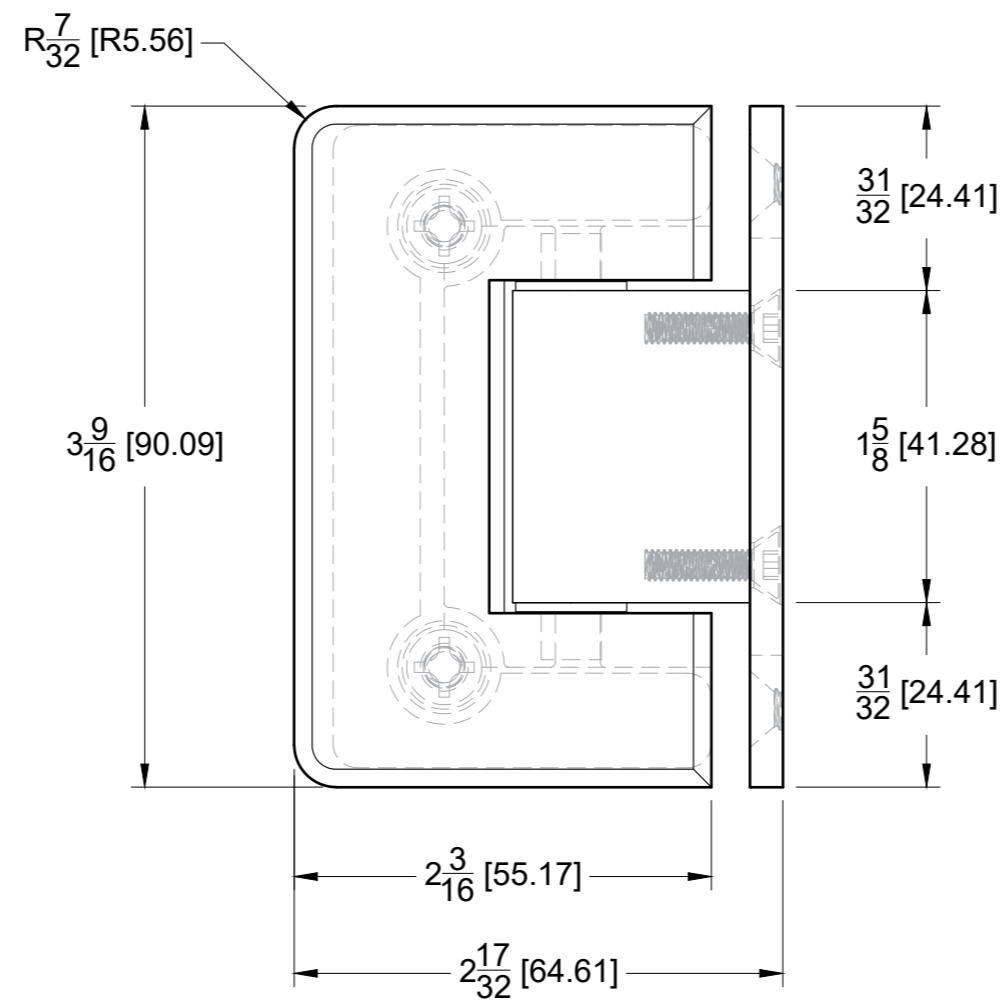
**TOP VIEW**



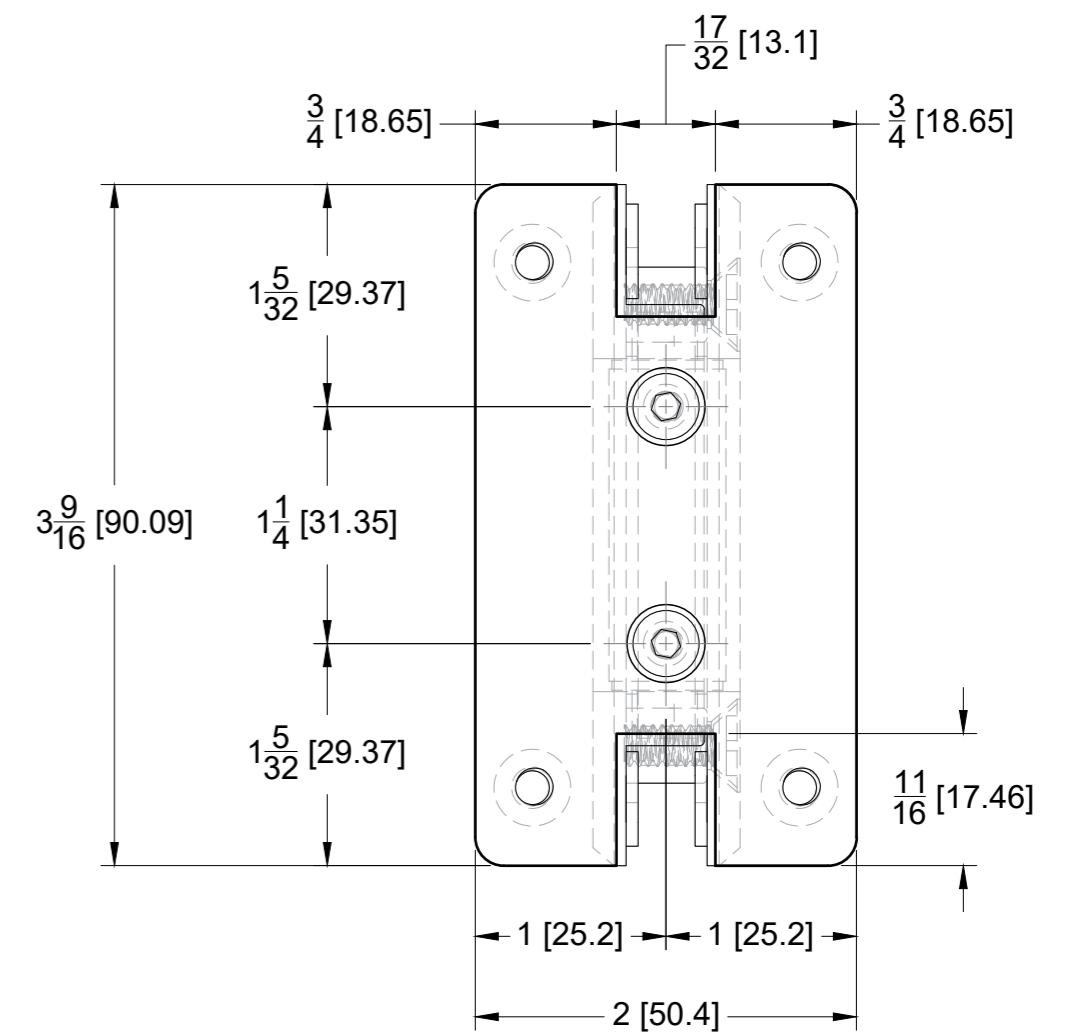
**SIDE VIEW**



**FRONT VIEW**



**BACK VIEW**



10101 NW 79th Ave  
Hialeah Gardens, FL 33016  
Phone: (877) 658-9008  
Fax: (888) 280-2285

Product: **Wall-to-Glass "H" Back Bilboa Hinge**  
Code: H301H  
Material: Solid Brass

**Specifications:**  
Glass thickness: 3/8" (10 mm) to 1/2" (12 mm).  
Cutout required - Tempered glass only  
Includes: Screws and gaskets for installation.

BEFORE PROCEEDING WITH FABRICATION, PLEASE ENSURE THAT YOU VERIFY ALL MEASUREMENTS. IT IS CRUCIAL TO DOUBLE-CHECK THE SPECIFICATIONS TO AVOID ANY DISCREPANCIES. FOR THE MOST UP-TO-DATE TECHNICAL SPECSHEETS AND CUTOUTS, KINDLY VISIT [GLASSHARDWARE.COM](http://GLASSHARDWARE.COM).

Date: 11/14/24

Sheet N°: 2/2