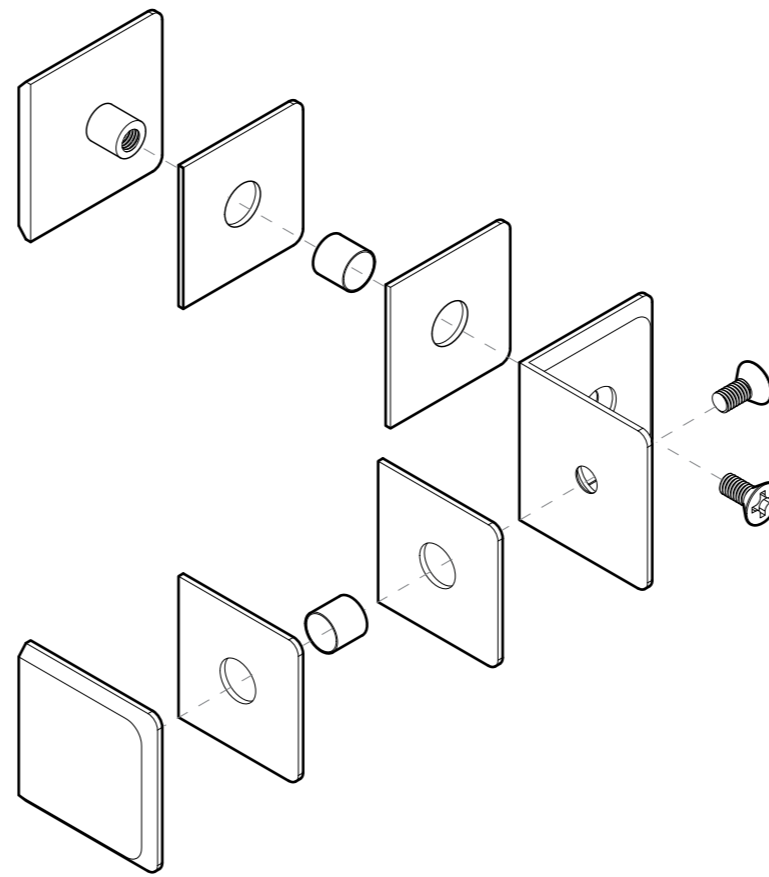
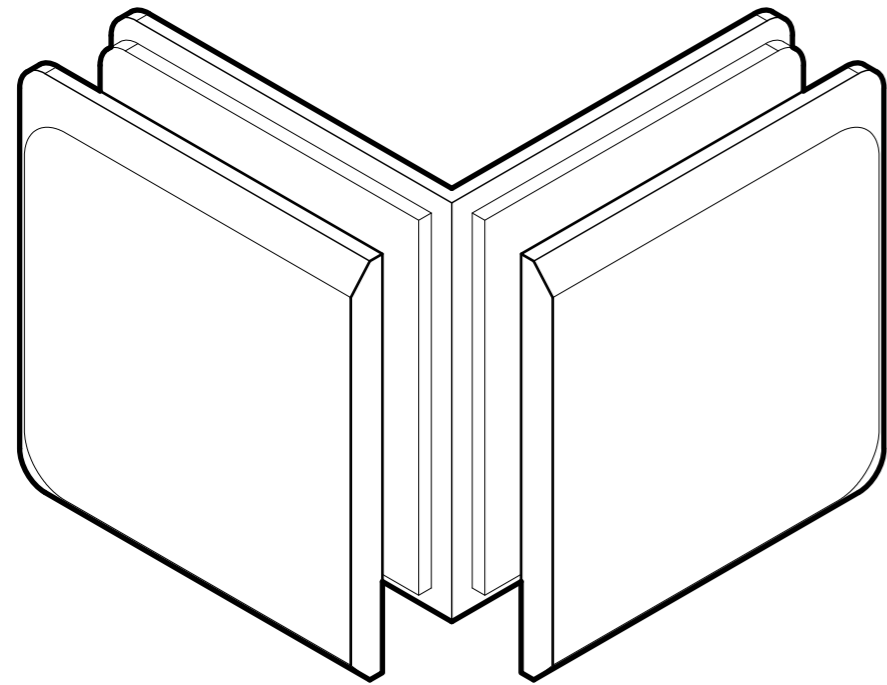
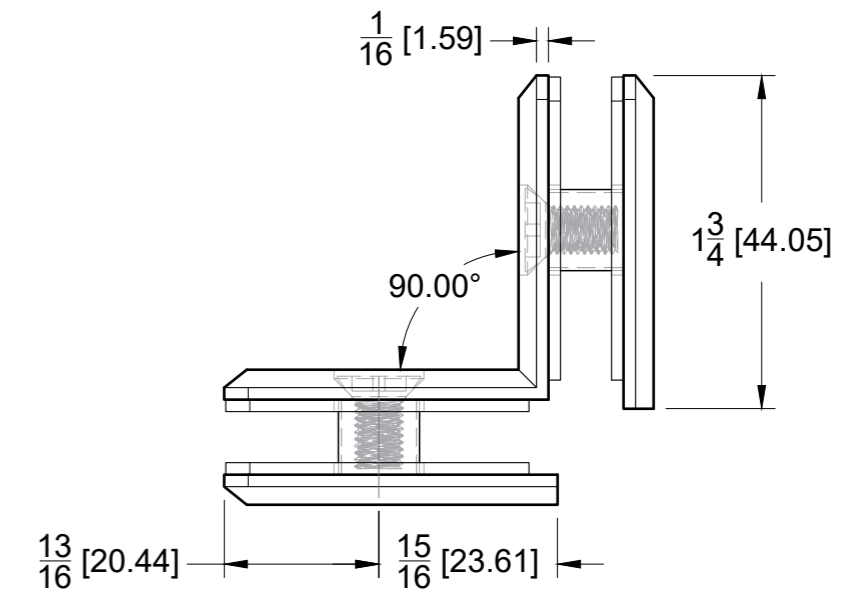


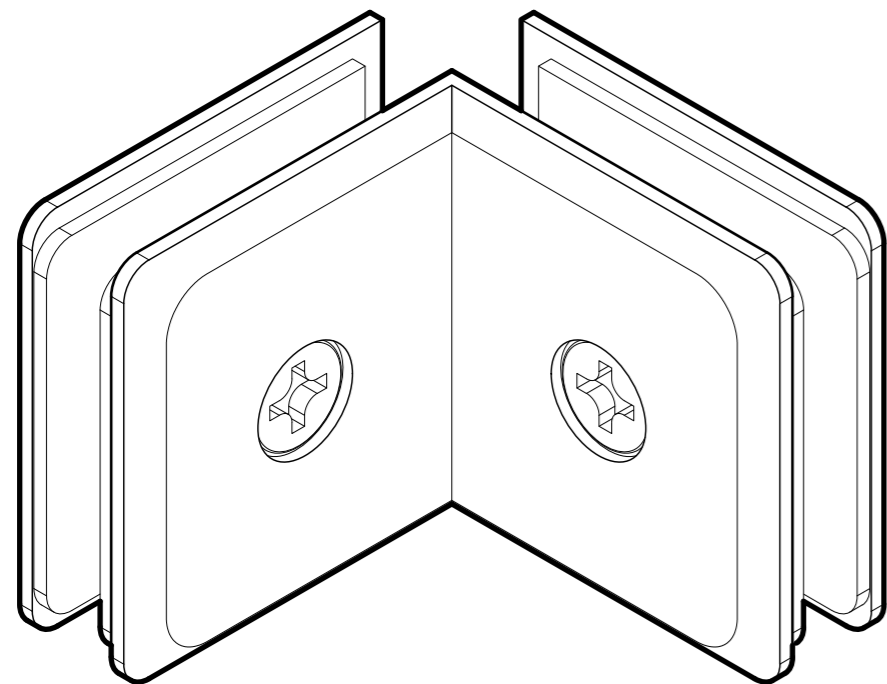
FRONT



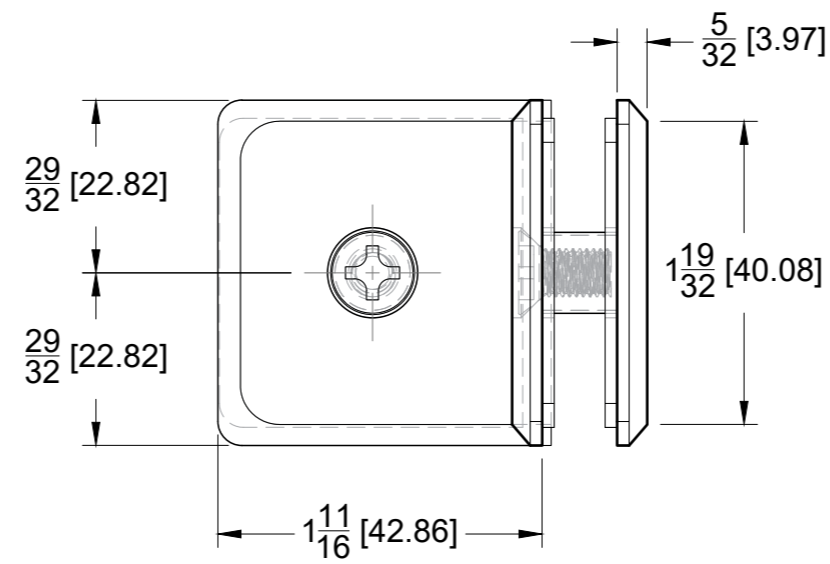
TOP VIEW



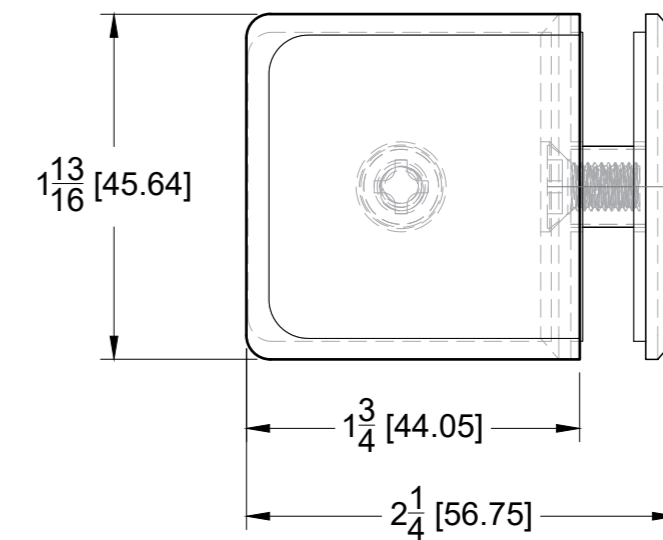
BACK



SIDE VIEW



FRONT VIEW



10101 NW 79th Ave  
Hialeah Gardens, FL 33016  
Phone: (877) 658-9008  
Fax: (888) 280-2285

Product: **Glass-to-Glass 90 Degree Bilboa Clamp**  
Code: GC43C  
Material: Solid Brass

Specifications:  
Glass thickness: 3/8" (10 mm) to 1/2" (12 mm).  
Cutout required - Tempered glass only

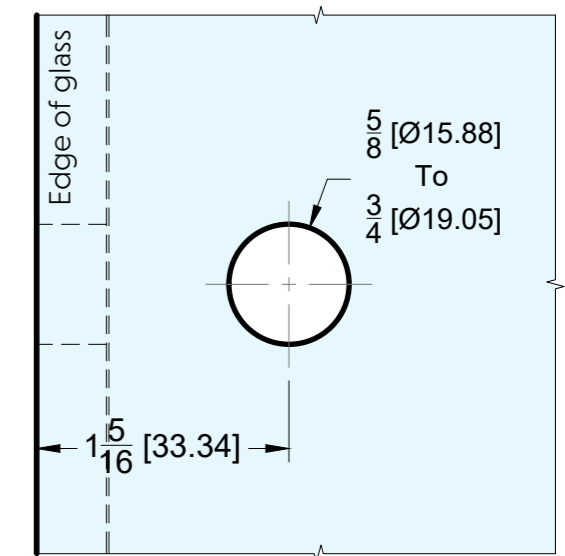
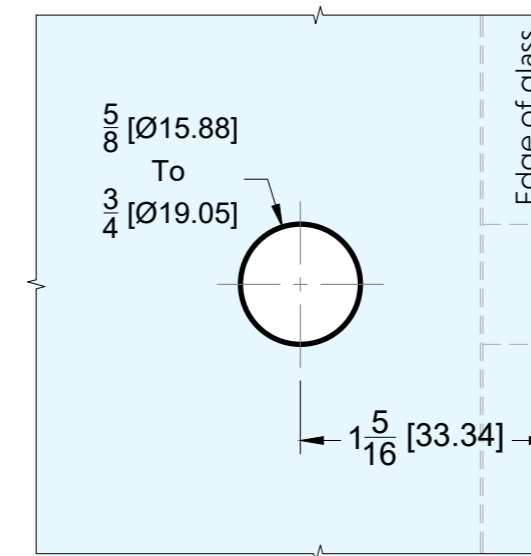
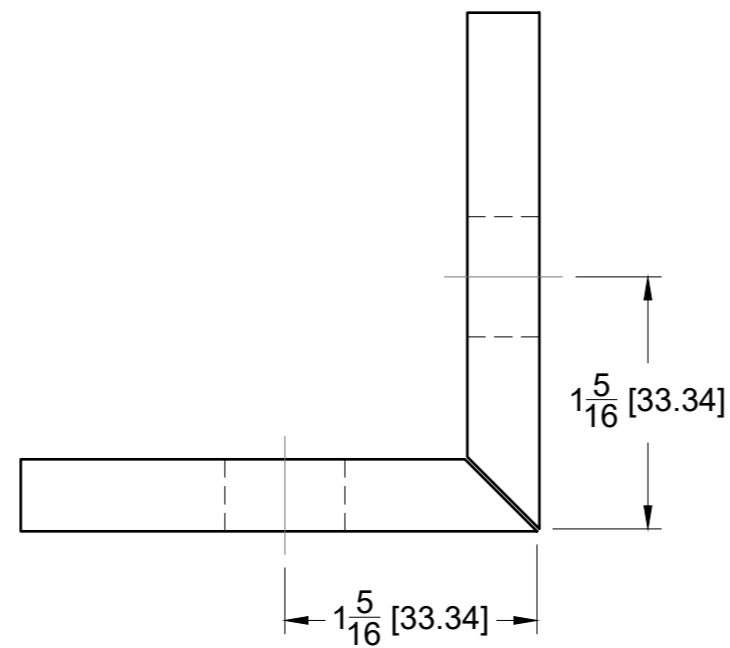
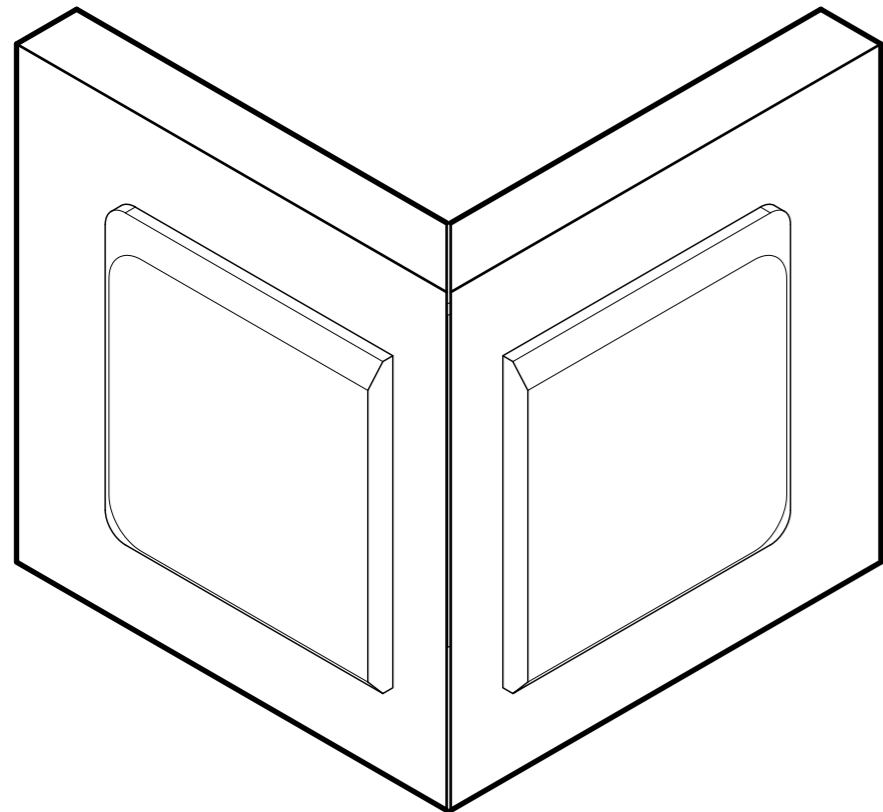
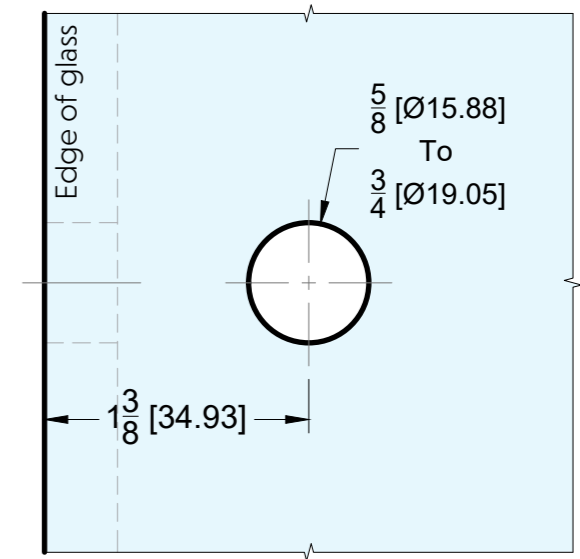
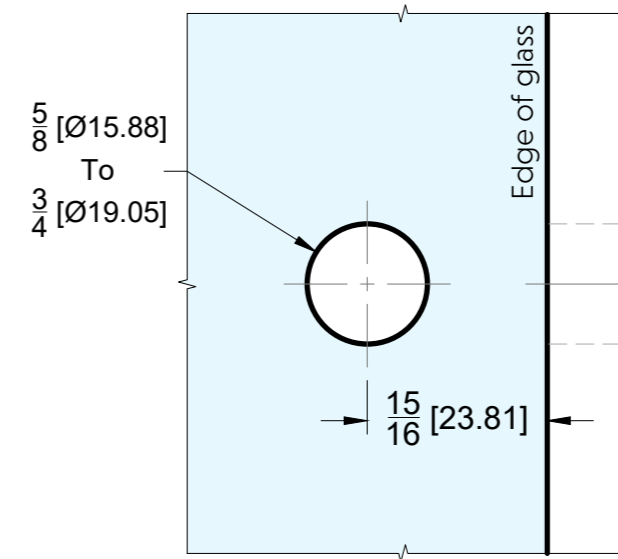
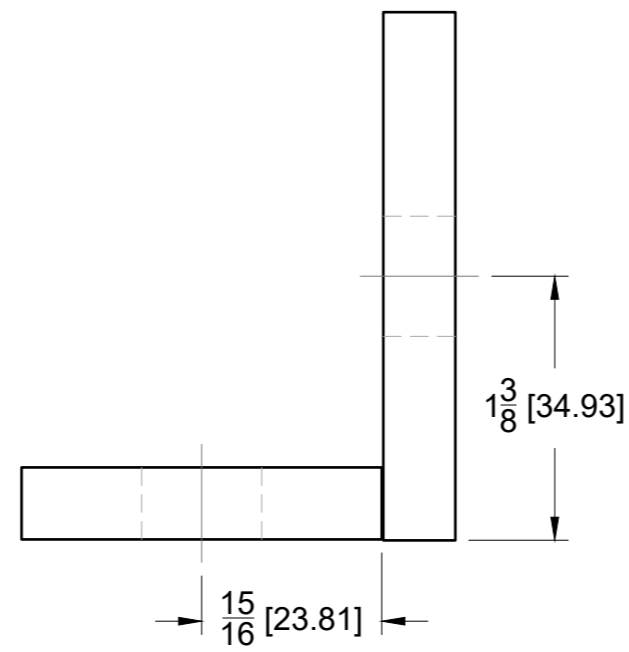
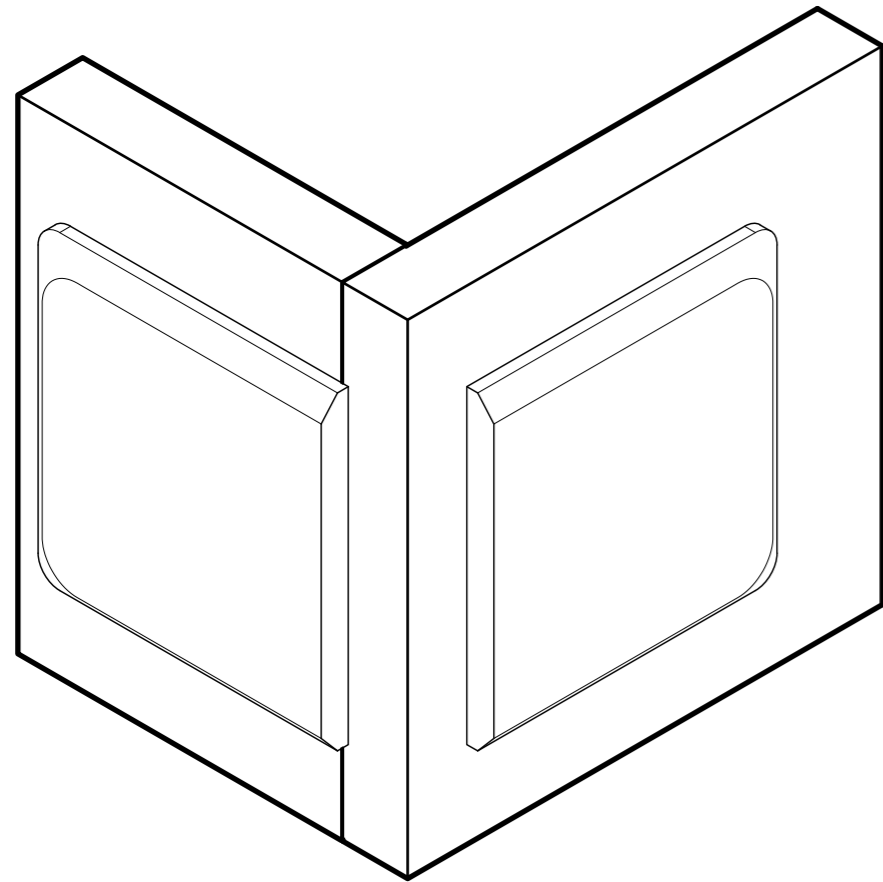
BEFORE PROCEEDING WITH FABRICATION, PLEASE ENSURE THAT YOU VERIFY ALL MEASUREMENTS. IT IS CRUCIAL TO DOUBLE-CHECK THE SPECIFICATIONS TO AVOID ANY DISCREPANCIES. FOR THE MOST UP-TO-DATE TECHNICAL SPECSHEETS AND CUTOUTS, KINDLY VISIT [GLASSHARDWARE.COM](http://GLASSHARDWARE.COM).

Date: 11/13/24

Sheet N°: 1/2

**GLASS CUT OUT**

(Glass Thickness 3/8 - 10mm)



10101 NW 79th Ave  
Hialeah Gardens, FL 33016  
Phone: (877) 658-9008  
Fax: (888) 280-2285

Product: **Glass-to-Glass 90 Degree Bilboa Clamp**  
Code: GC43C  
Material: Solid Brass

Specifications:  
Glass thickness: 3/8" (10 mm) to 1/2" (12 mm).  
Cutout required - Tempered glass only

BEFORE PROCEEDING WITH FABRICATION, PLEASE ENSURE THAT YOU VERIFY ALL MEASUREMENTS. IT IS CRUCIAL TO DOUBLE-CHECK THE SPECIFICATIONS TO AVOID ANY DISCREPANCIES. FOR THE MOST UP-TO-DATE TECHNICAL SPECSHEETS AND CUTOUTS, KINDLY VISIT [GLASSHARDWARE.COM](http://GLASSHARDWARE.COM).

Date: 11/13/24

Sheet N°: 2/2