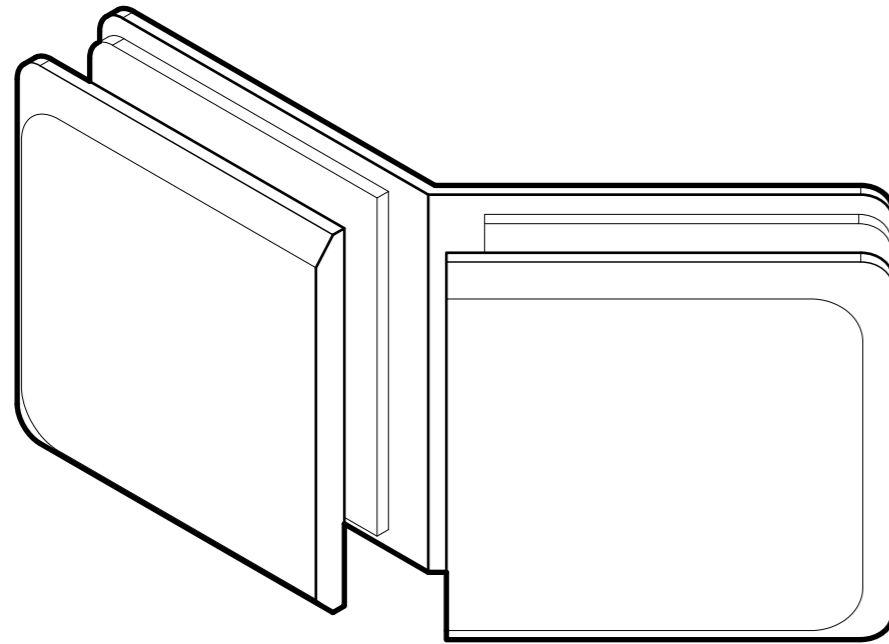
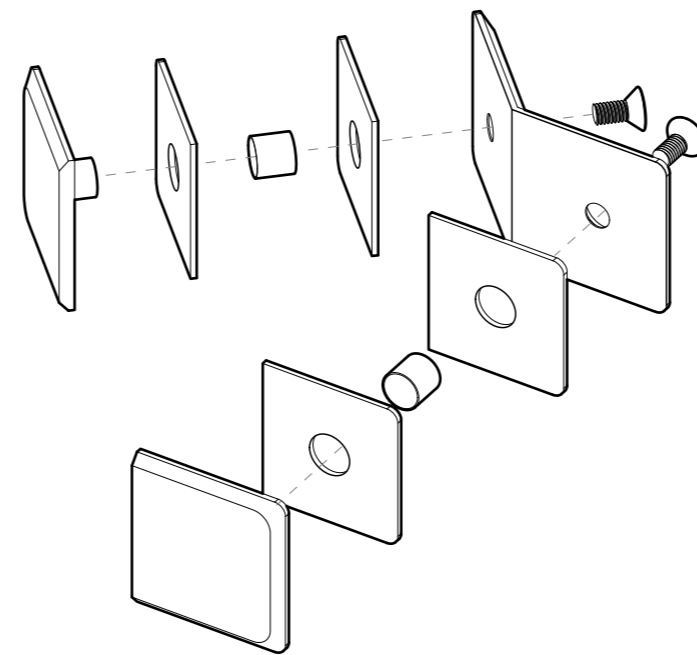
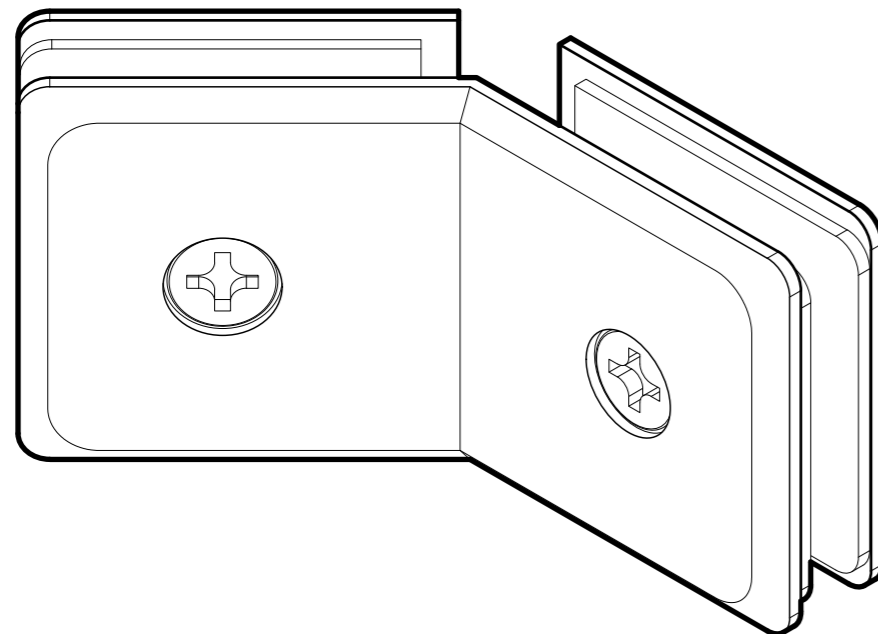


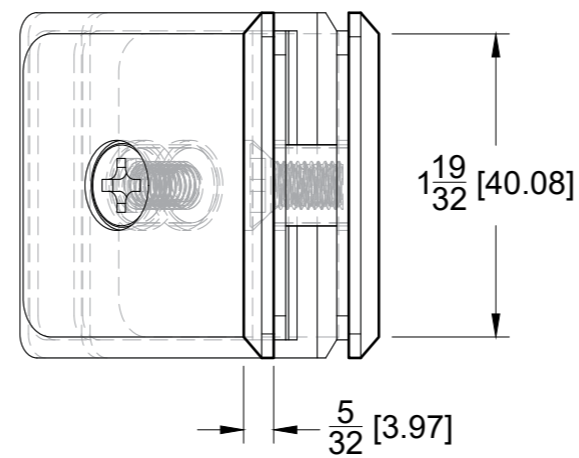
**FRONT**



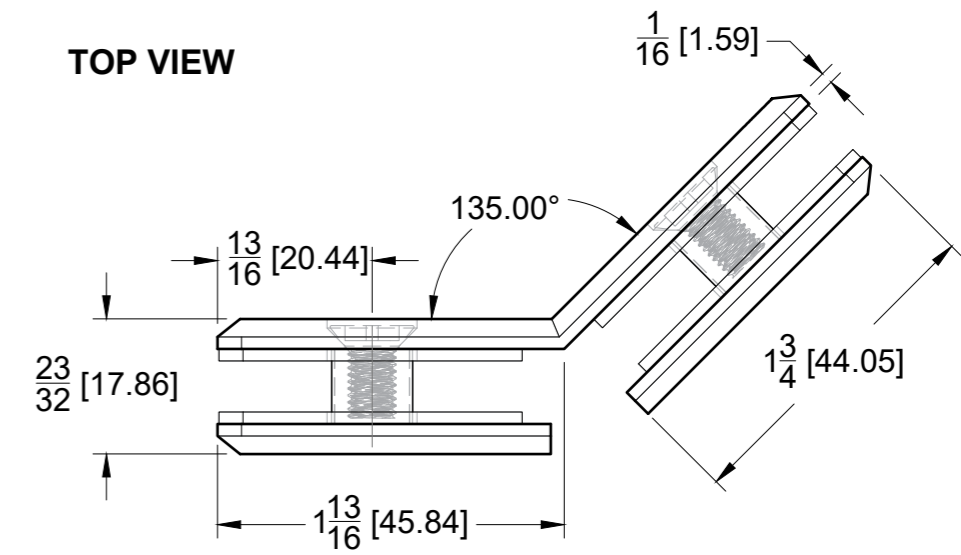
**BACK**



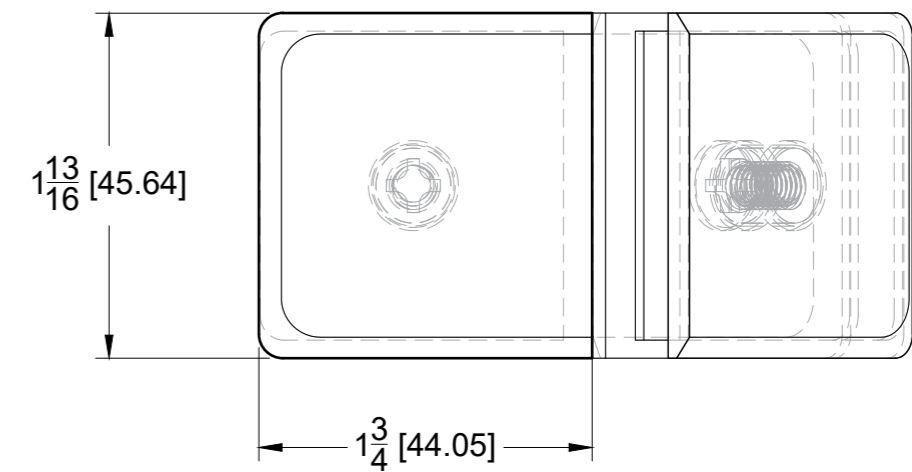
**SIDE VIEW**



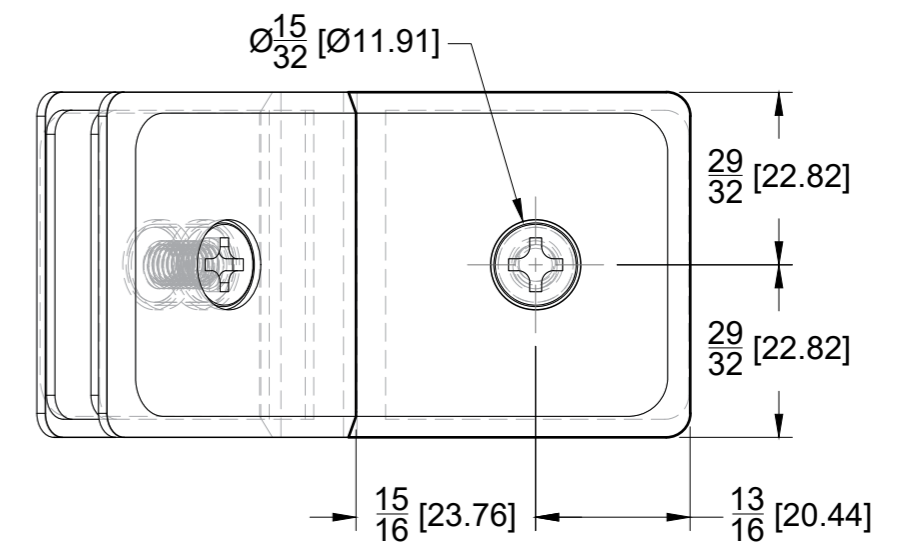
**TOP VIEW**



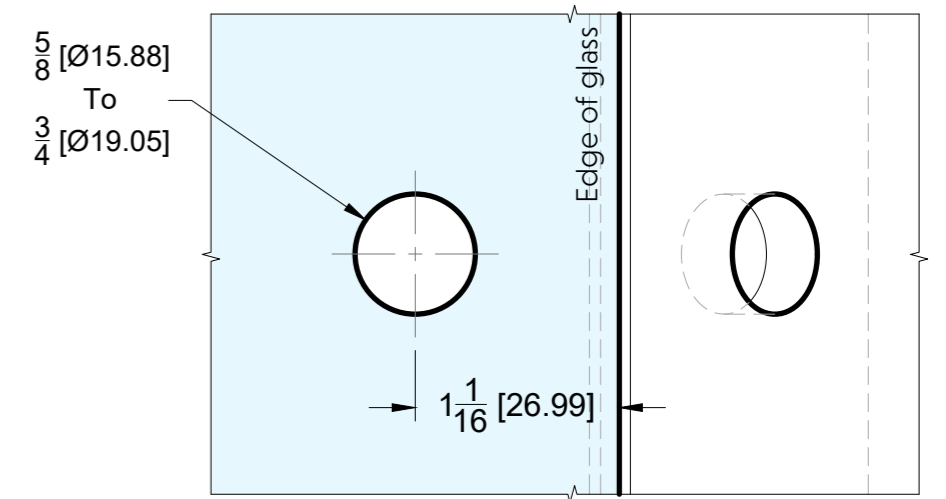
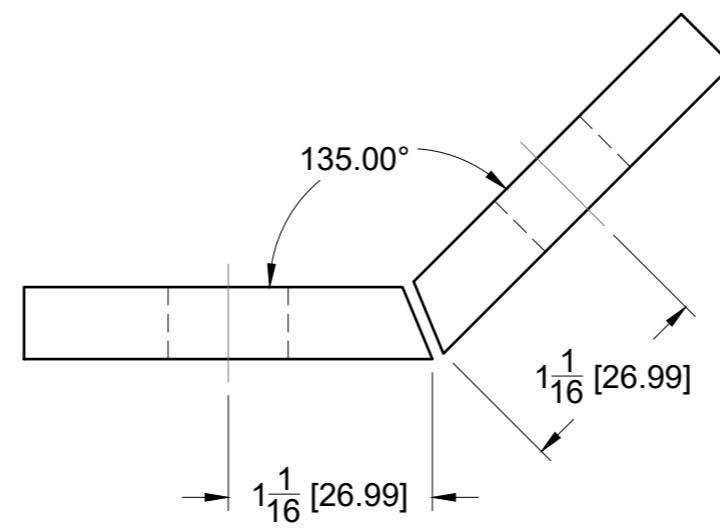
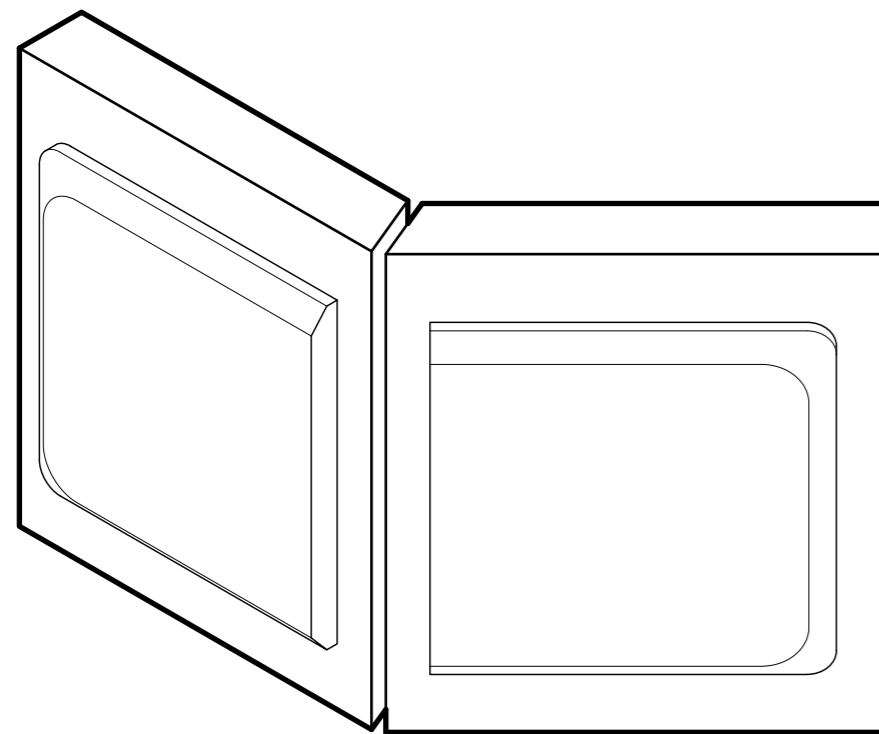
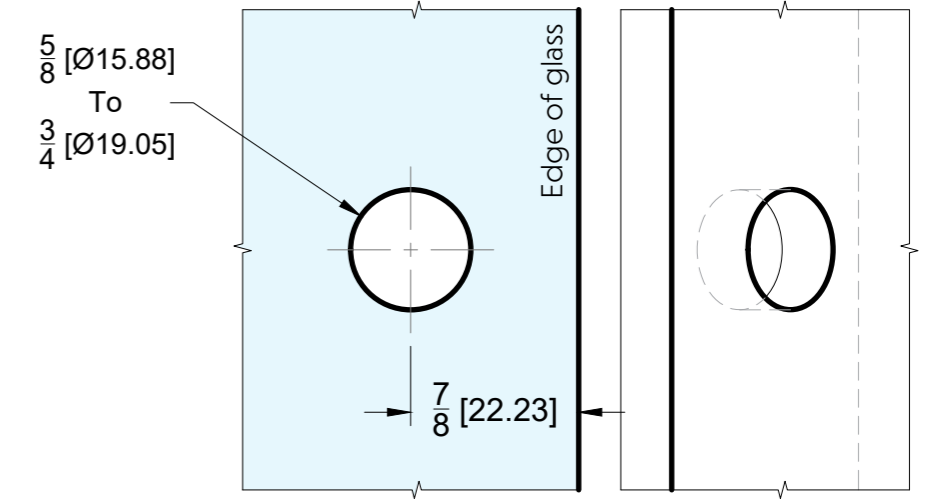
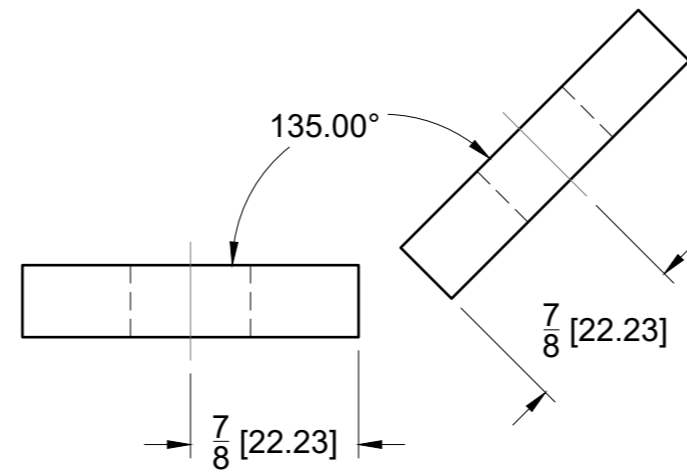
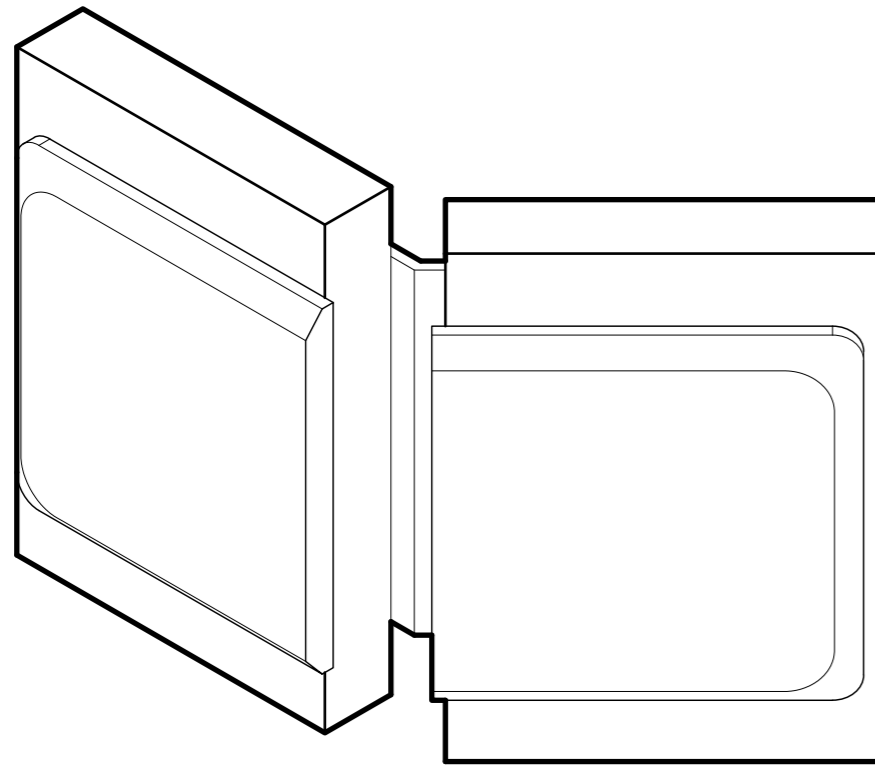
**FRONT VIEW**



**BACK VIEW**



**GLASS CUT OUT**  
(Glass Thickness 3/8 - 10mm)



10101 NW 79th Ave  
Hialeah Gardens, FL 33016  
Phone: (877) 658-9008  
Fax: (888) 280-2285

Product: **Glass-to-Glass 135 Degree Bilboa Clamp**  
Code: GC43B  
Material: Solid Brass

**Specifications:**  
Glass thickness: 3/8" (10 mm) to 1/2" (12 mm).  
Cutout required - Tempered glass only

BEFORE PROCEEDING WITH FABRICATION, PLEASE ENSURE THAT YOU VERIFY ALL MEASUREMENTS. IT IS CRUCIAL TO DOUBLE-CHECK THE SPECIFICATIONS TO AVOID ANY DISCREPANCIES. FOR THE MOST UP-TO-DATE TECHNICAL SPECSHEETS AND CUTOUTS, KINDLY VISIT [GLASSHARDWARE.COM](http://GLASSHARDWARE.COM).

Date: 11/13/24

Sheet N°: 2/2