

10101 NW 79th Ave  
 Hialeah Gardens, FL  
 33016  
 Phone: (877) 658-9008  
 Fax: (888) 280-2285

Product: **10' Tilt-Lock Base Shoe / Channel**

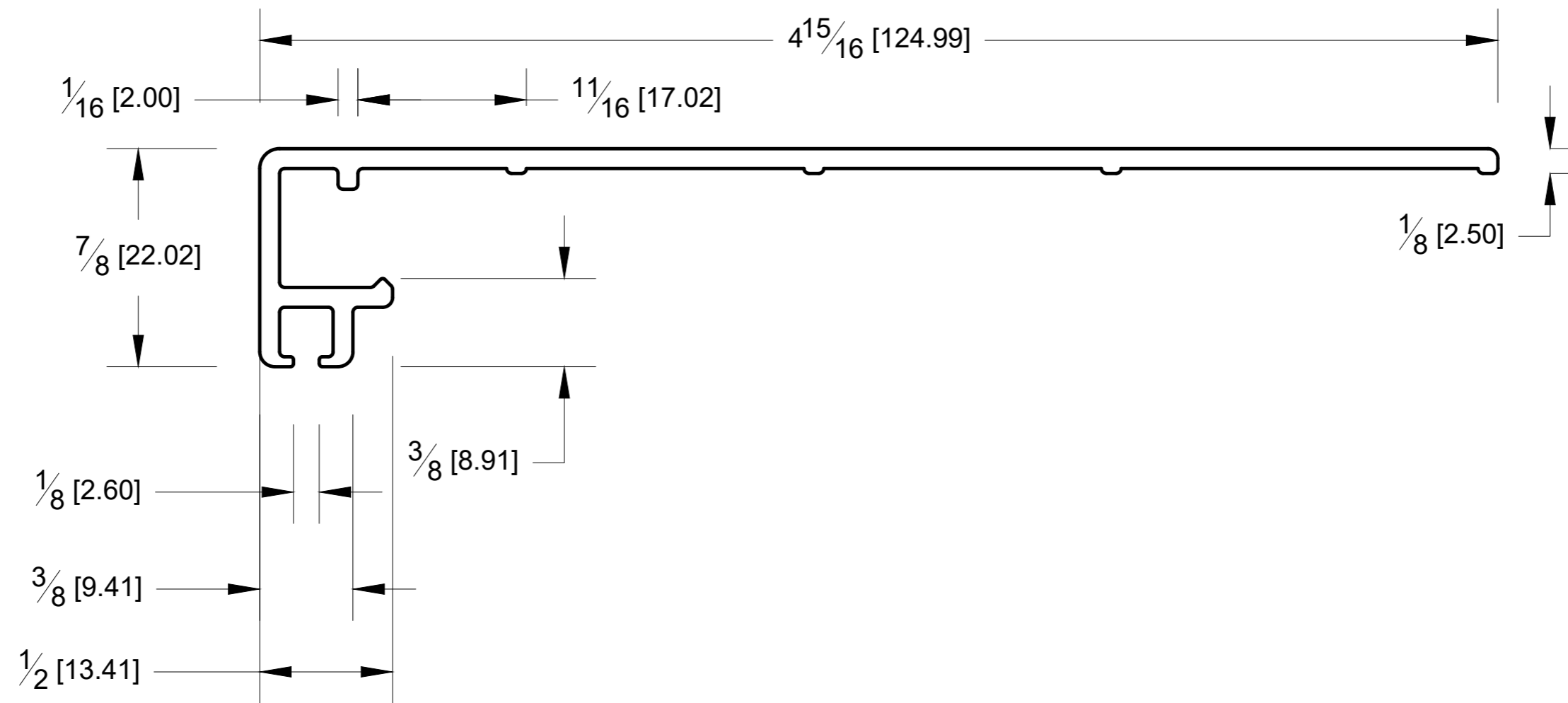
Code: R80

Material: Aluminium

Specifications:

Before proceeding with fabrication, please ensure that you verify all measurements. It is crucial to double-check the specifications to avoid any discrepancies. For the most up-to-date technical spec sheets and cutouts, kindly visit [glasshardware.com](http://glasshardware.com).

Date: 05/23/2024



10101 NW 79th Ave  
 Hialeah Gardens, FL  
 33016  
 Phone: (877) 658-9008  
 Fax: (888) 280-2285

Product: **10' Tilt-Lock Base Shoe / Clarings**

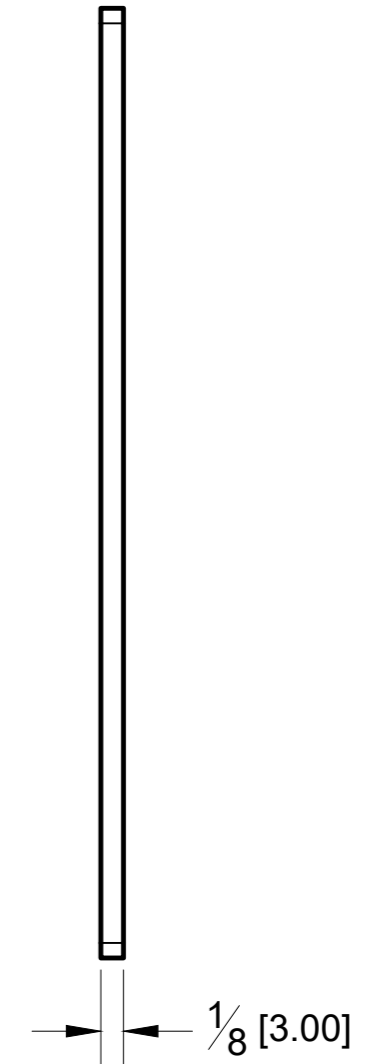
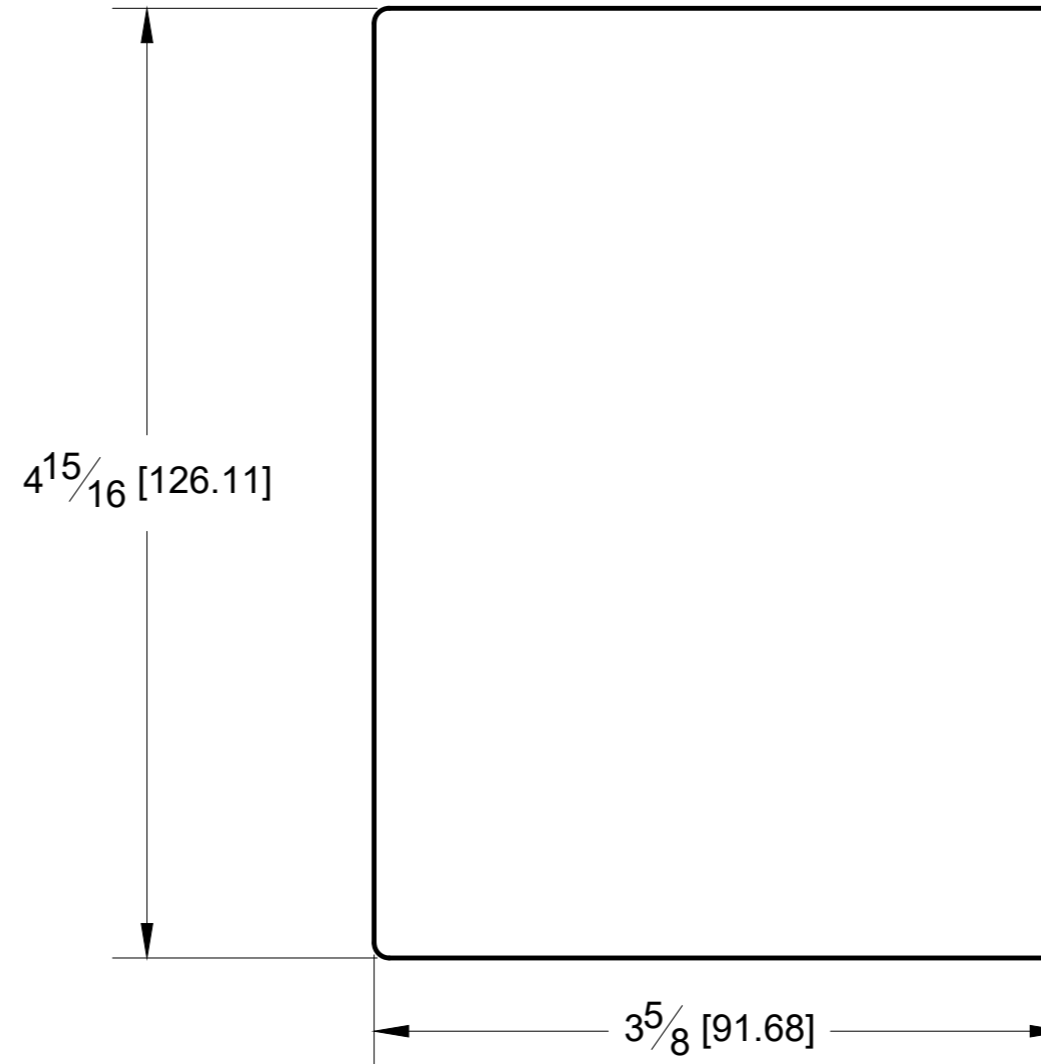
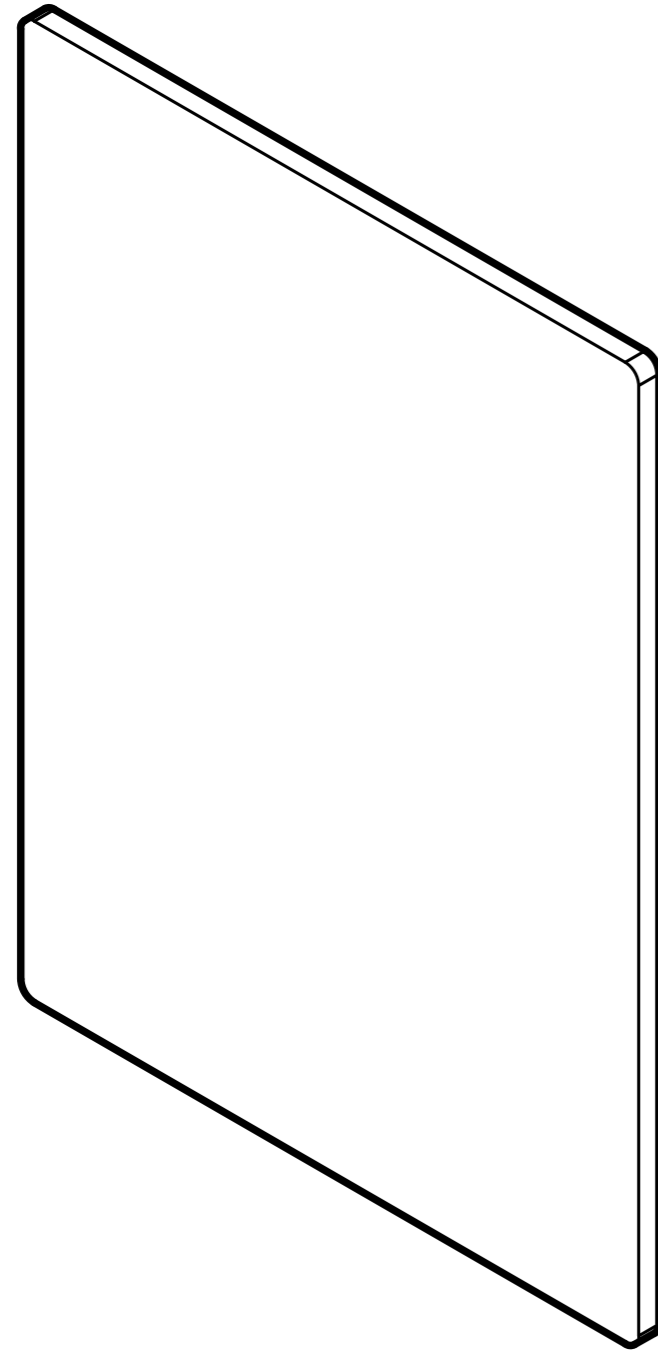
Code: R80

Material: Aluminium

Specifications:

Before proceeding with fabrication, please ensure that you verify all measurements. It is crucial to double-check the specifications to avoid any discrepancies. For the most up-to-date technical spec sheets and cutouts, kindly visit [glasshardware.com](http://glasshardware.com).

Date: 05/23/2024



10101 NW 79th Ave  
Hialeah Gardens, FL  
33016  
Phone: (877) 658-9008  
Fax: (888) 280-2285

Product: **10' Tilt-Lock Base Shoe / End cap**

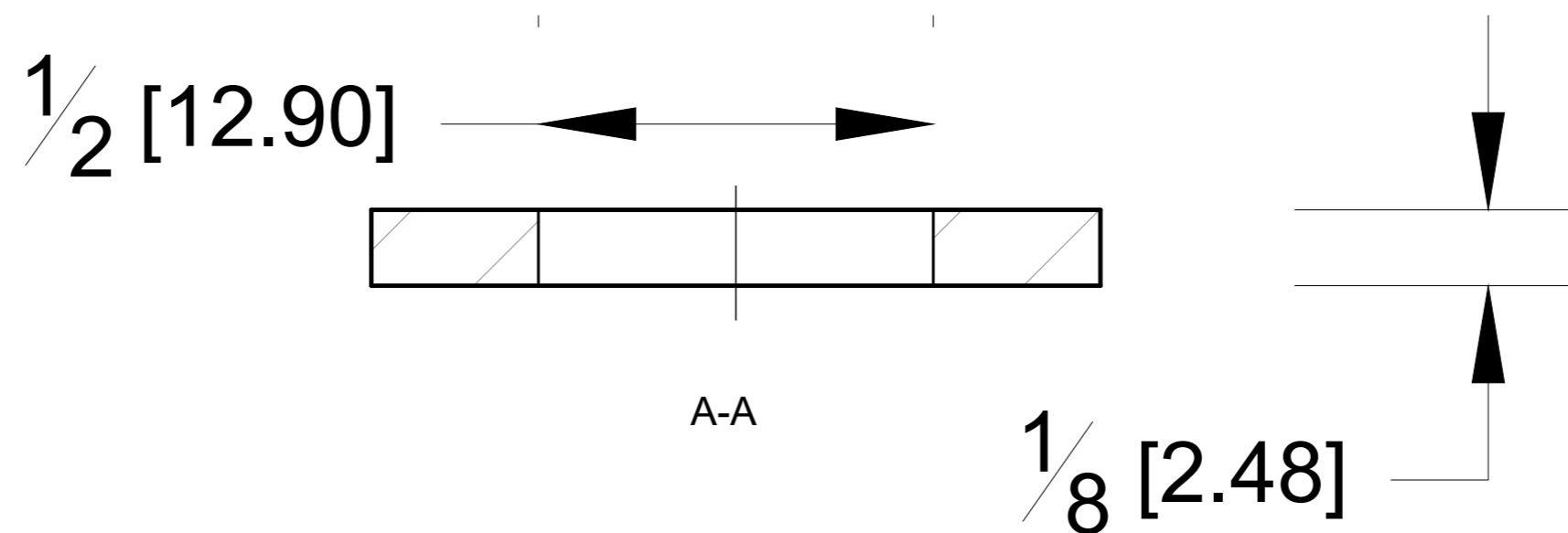
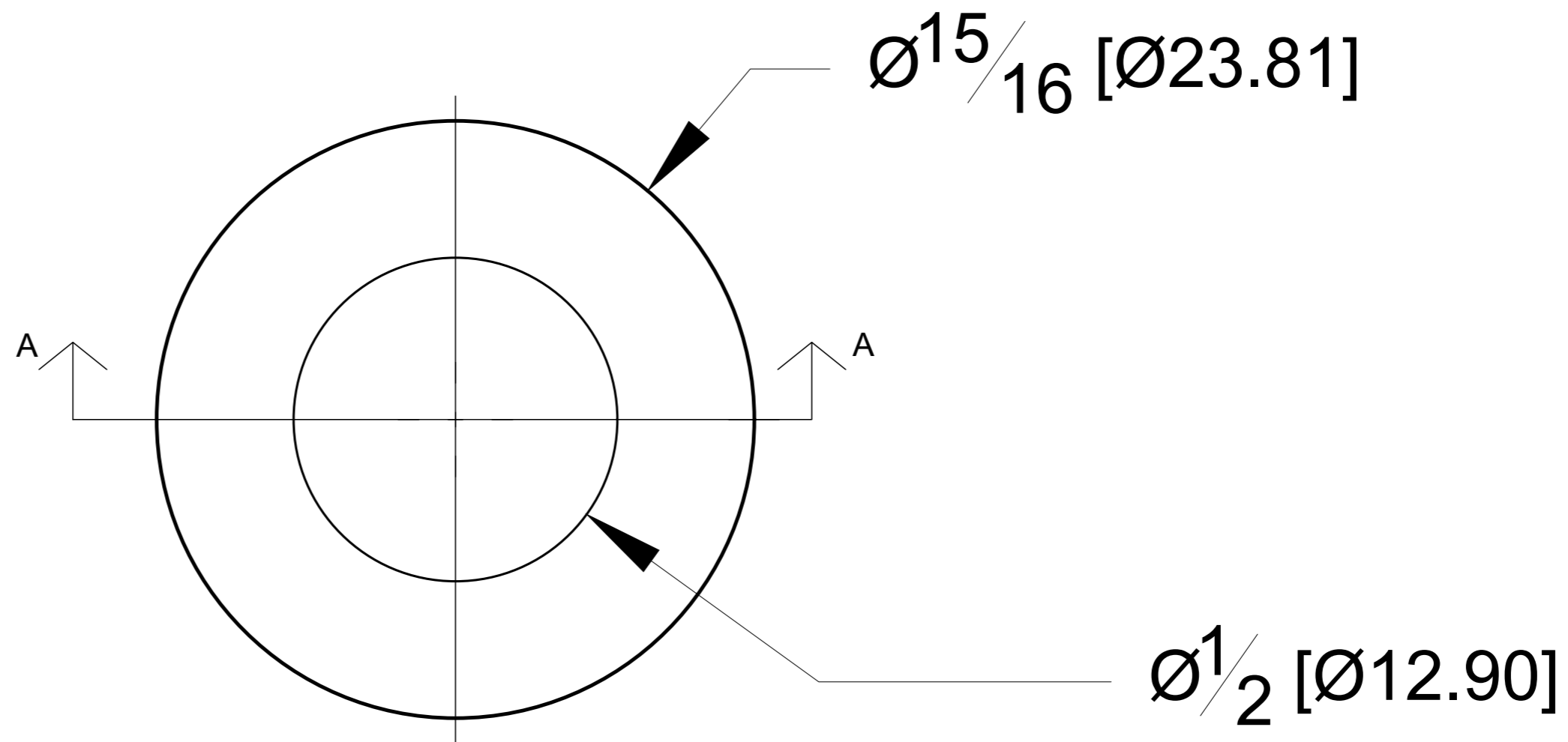
Code: R80

Material: Aluminium

Specifications:

Before proceeding with fabrication, please ensure that you verify all measurements. It is crucial to double-check the specifications to avoid any discrepancies. For the most up-to-date technical spec sheets and cutouts, kindly visit [glasshardware.com](http://glasshardware.com).

Date: 05/23/2024



10101 NW 79th Ave  
Hialeah Gardens, FL  
33016  
Phone: (877) 658-9008  
Fax: (888) 280-2285

Product: **10' Tilt-Lock Base Shoe / Flat washer**

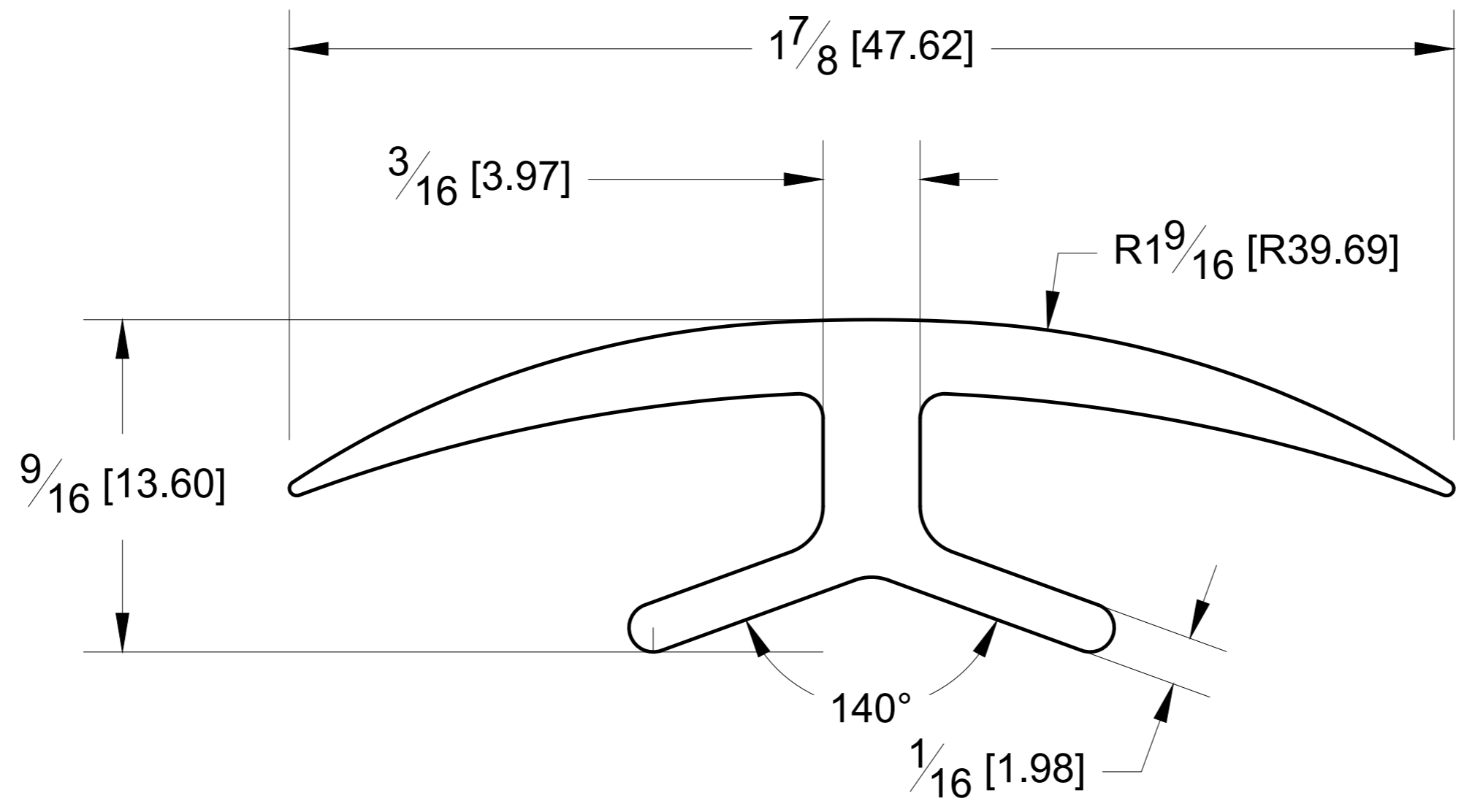
Code: R80

Material: Aluminium

Specifications:

Before proceeding with fabrication, please ensure that you verify all measurements. It is crucial to double-check the specifications to avoid any discrepancies. For the most up-to-date technical spec sheets and cutouts, kindly visit [glasshardware.com](http://glasshardware.com).

Date: 23/05/2024

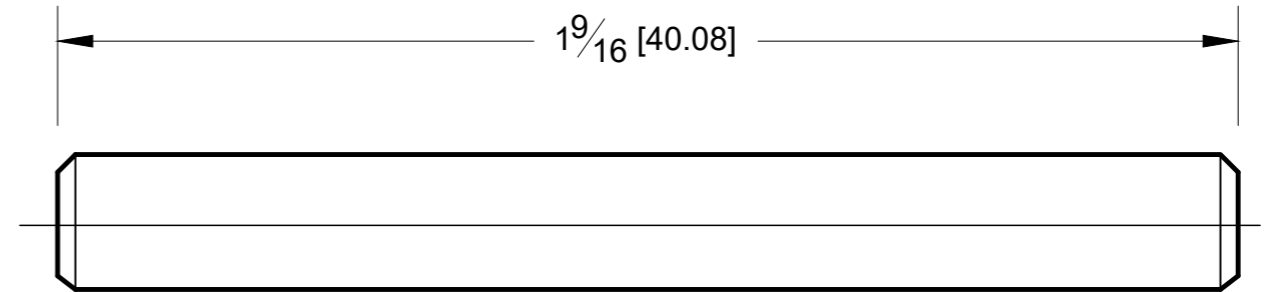
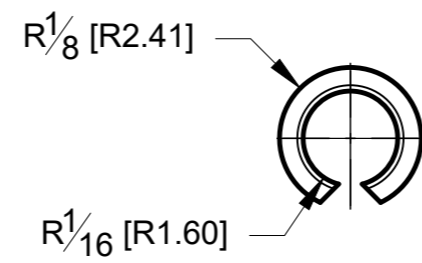
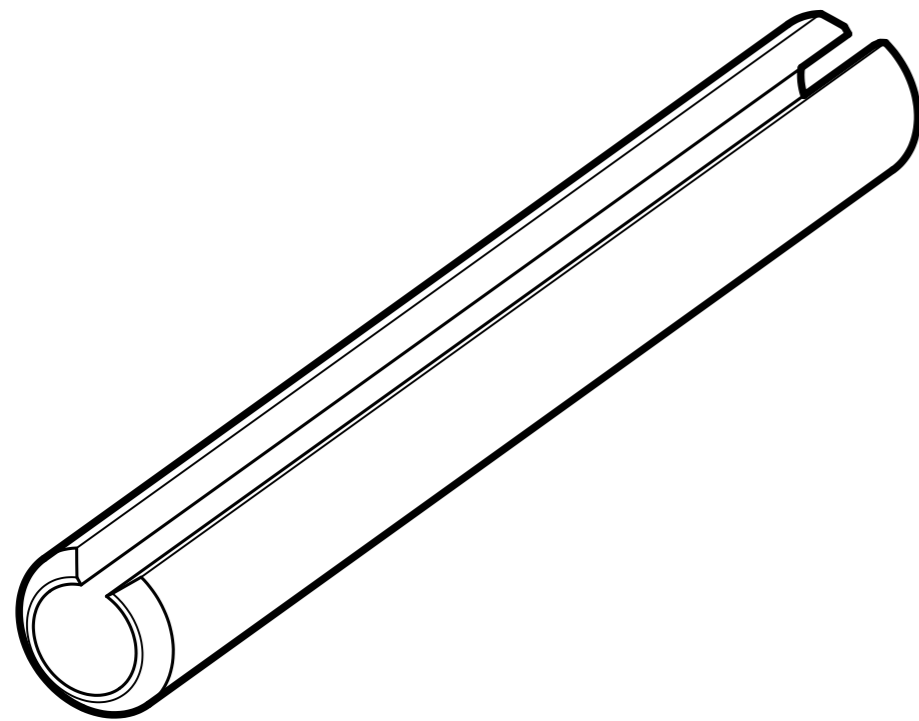


10101 NW 79th Ave  
 Hialeah Gardens, FL  
 33016  
 Phone: (877) 658-9008  
 Fax: (888) 280-2285

Product: <b>10' Tilt-Lock Base Shoe / Joining gasket</b>	
Code: R80	Material: Rubber

**Specifications:**

Before proceeding with fabrication, please ensure that you verify all measurements. It is crucial to double-check the specifications to avoid any discrepancies. For the most up-to-date technical spec sheets and cutouts, kindly visit [glasshardware.com](http://glasshardware.com).  
 Date: 05/23/2024



10101 NW 79th Ave  
Hialeah Gardens, FL  
33016  
Phone: (877) 658-9008  
Fax: (888) 280-2285

Product: **10' Tilt-Lock Base Shoe / Joining pins**

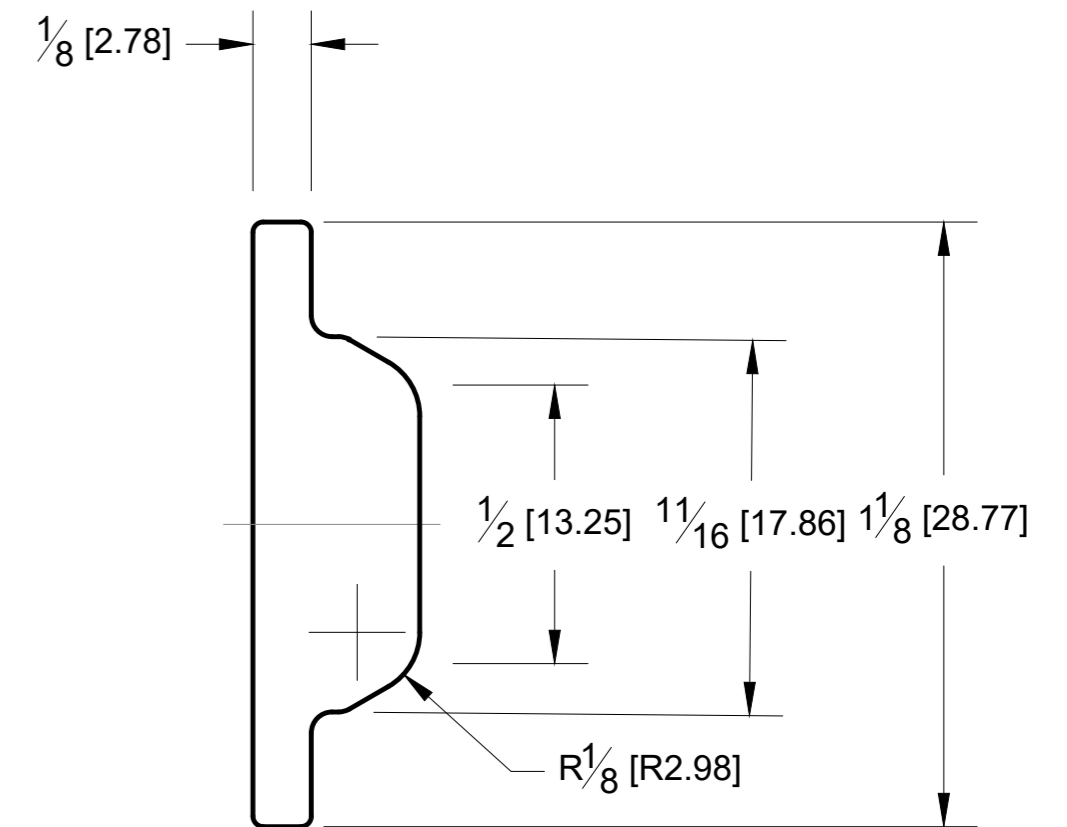
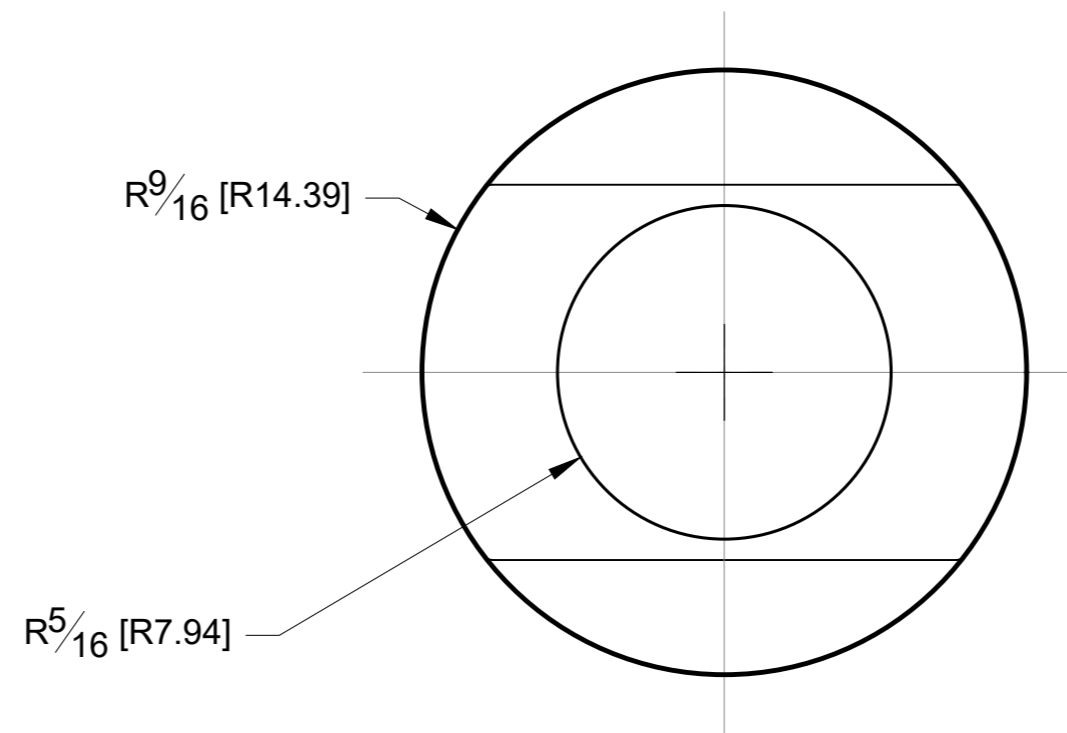
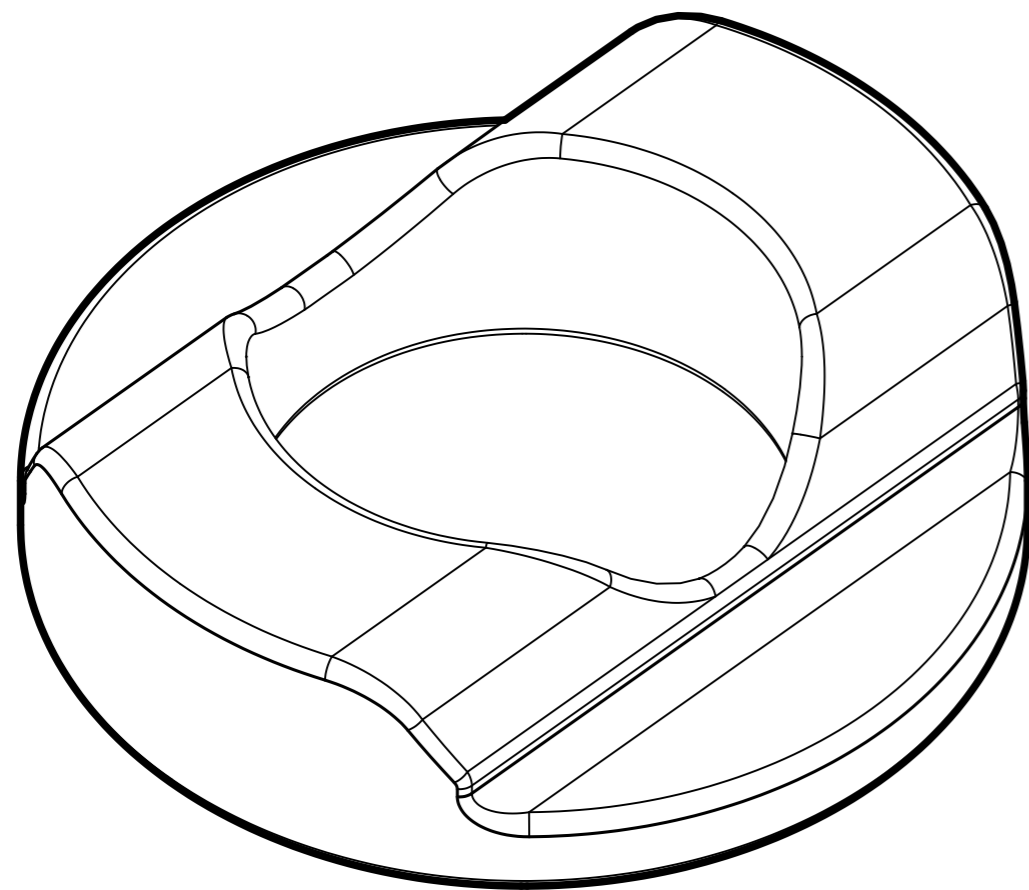
Code: R80

Material: Aluminium

Specifications:

Before proceeding with fabrication, please ensure that you verify all measurements. It is crucial to double-check the specifications to avoid any discrepancies. For the most up-to-date technical spec sheets and cutouts, kindly visit [glasshardware.com](http://glasshardware.com).

Date: 05/23/2024



10101 NW 79th Ave  
Hialeah Gardens, FL  
33016  
Phone: (877) 658-9008  
Fax: (888) 280-2285

Product: **10' Tilt-Lock Base Shoe / Stabilizing washer**

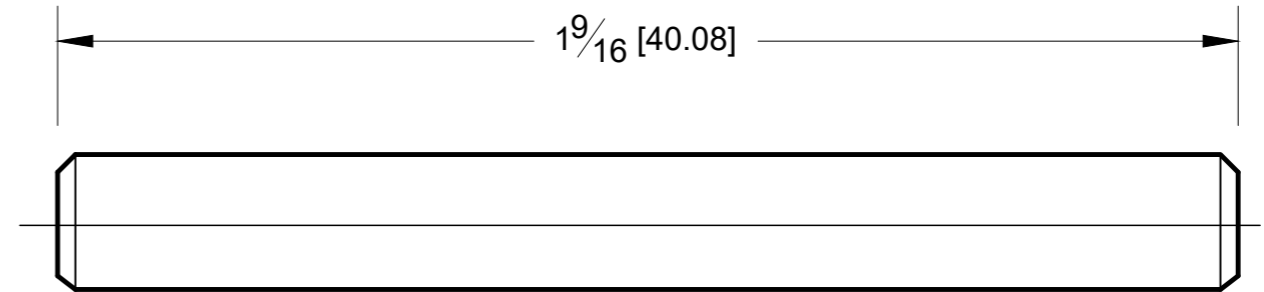
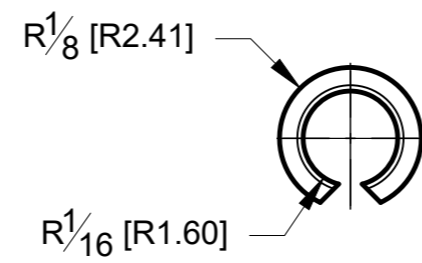
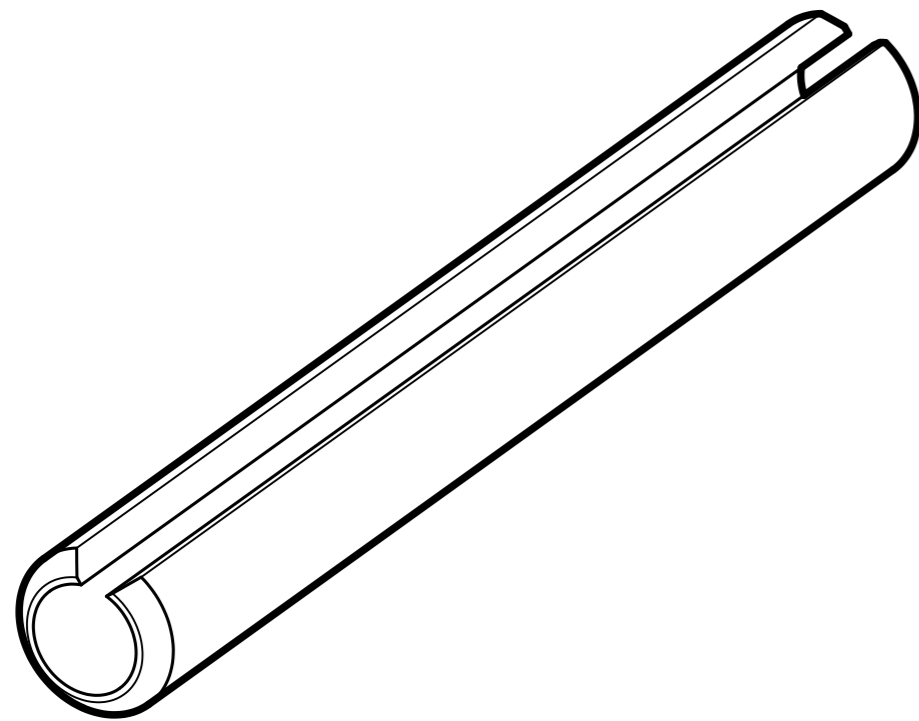
Code: R80

Material: Aluminium

Specifications:

Before proceeding with fabrication, please ensure that you verify all measurements. It is crucial to double-check the specifications to avoid any discrepancies. For the most up-to-date technical spec sheets and cutouts, kindly visit [glasshardware.com](http://glasshardware.com).

Date: 05/23/2024



10101 NW 79th Ave  
Hialeah Gardens, FL  
33016  
Phone: (877) 658-9008  
Fax: (888) 280-2285

Product: <b>Tilt-Lock Joining Pins</b>	
Code: R85	Material: Aluminium

Specifications:
-----------------

Before proceeding with fabrication, please ensure that you verify all measurements. It is crucial to double-check the specifications to avoid any discrepancies. For the most up-to-date technical spec sheets and cutouts, kindly visit [glasshardware.com](http://glasshardware.com).  
Date: 05/23/2024