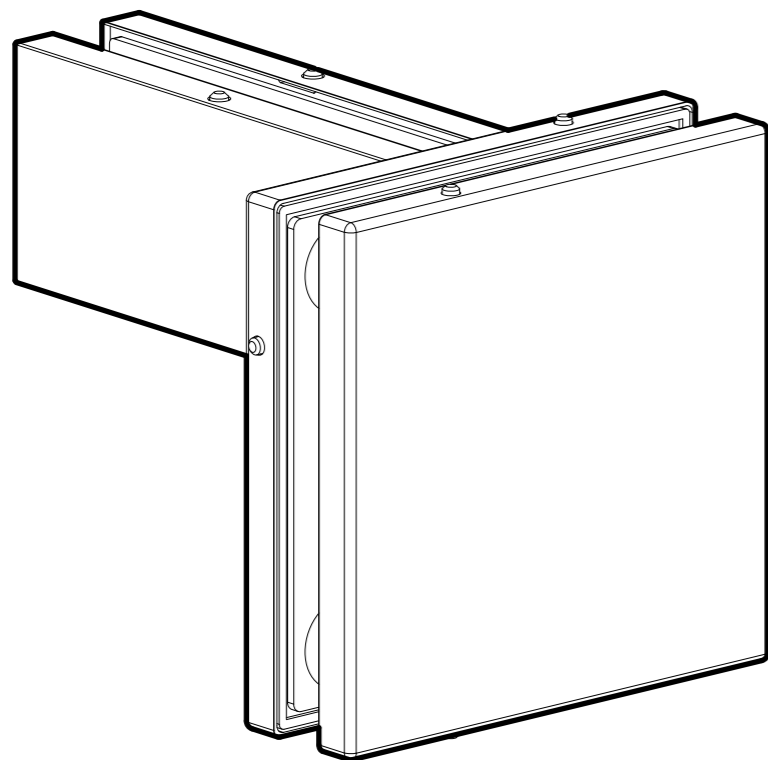
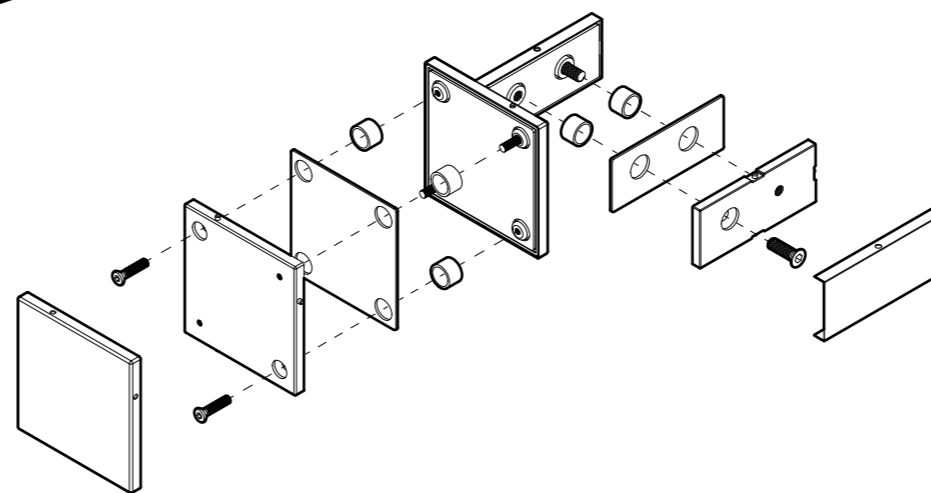
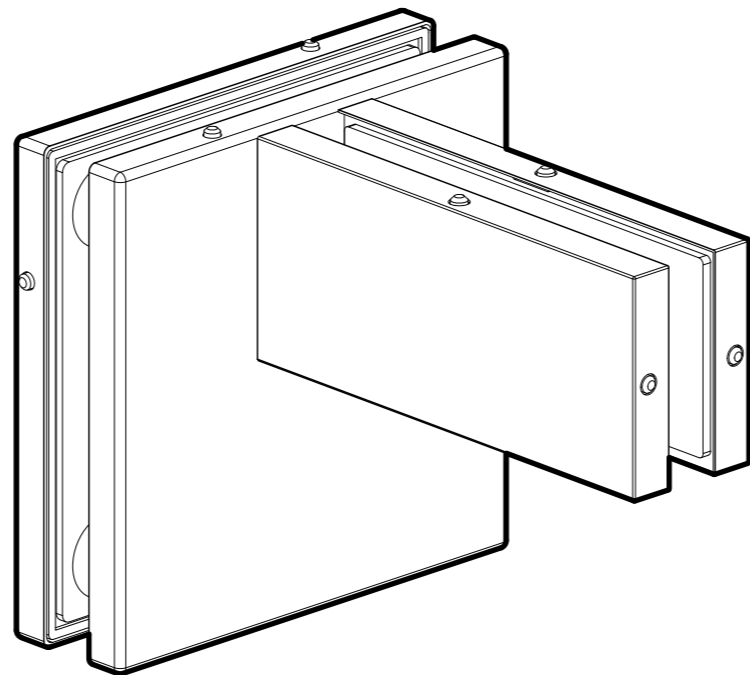


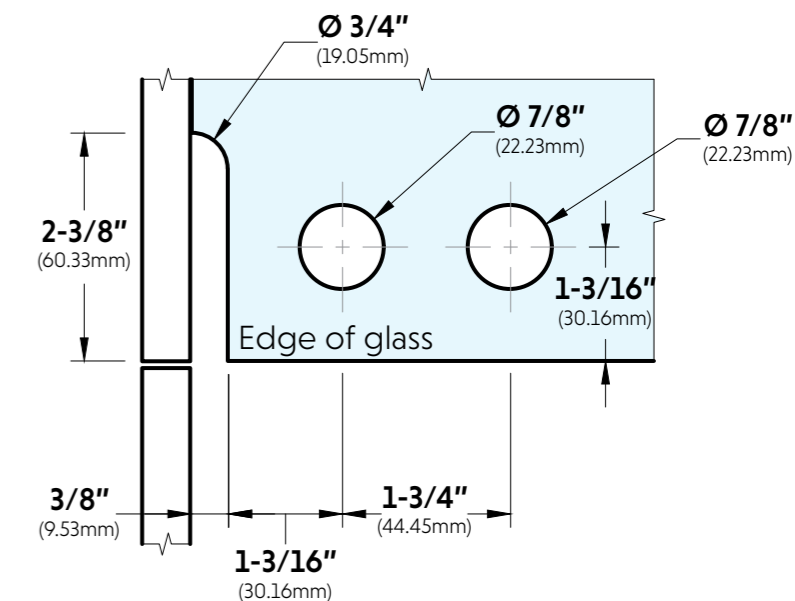
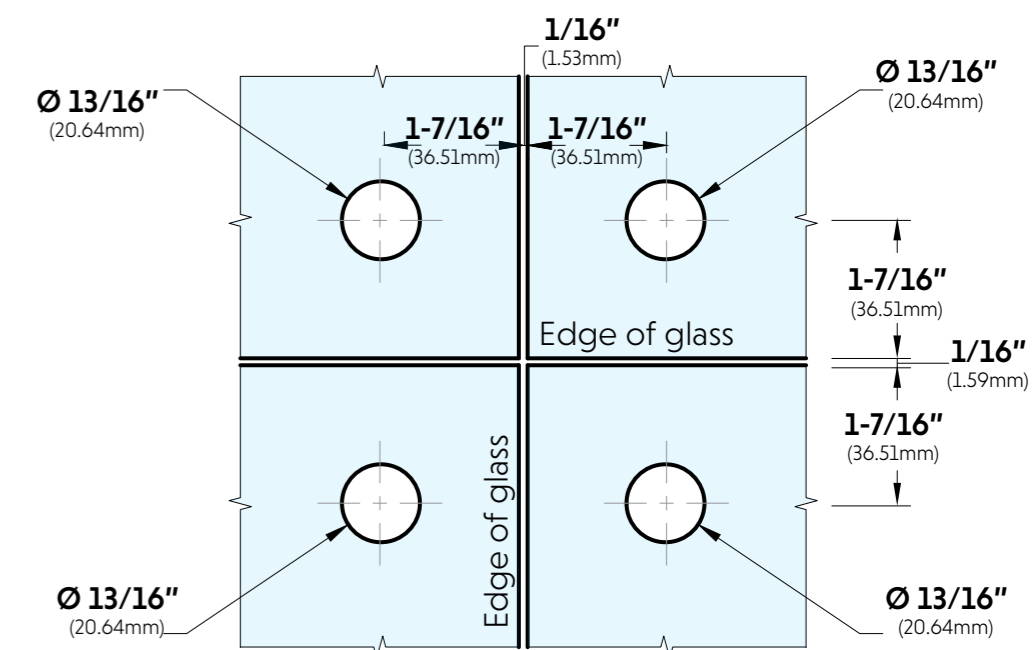
FRONT



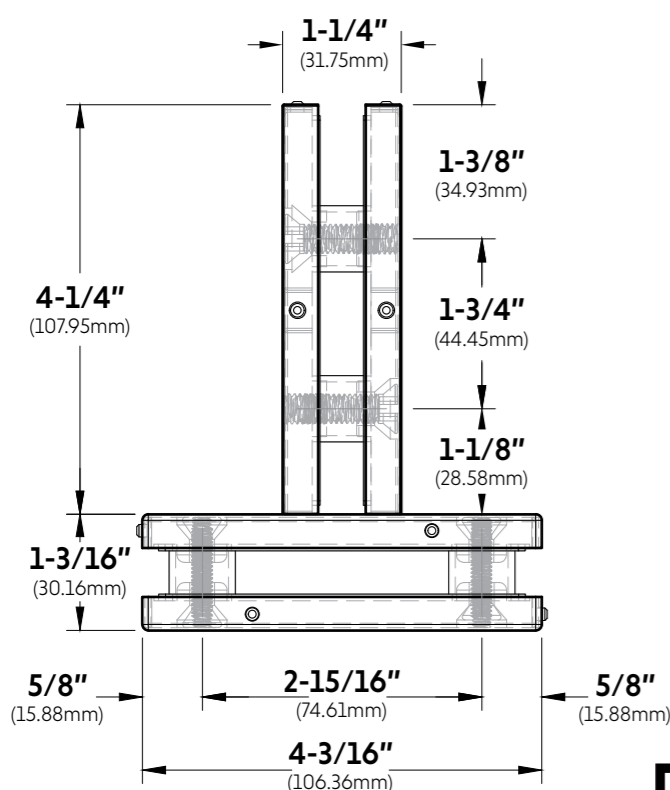
BACK



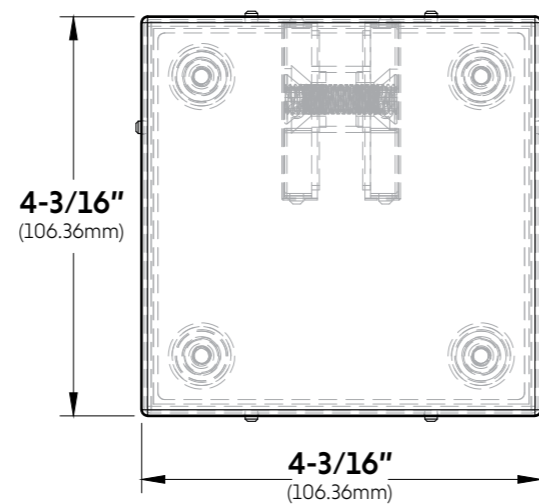
GLASS CUT OUT



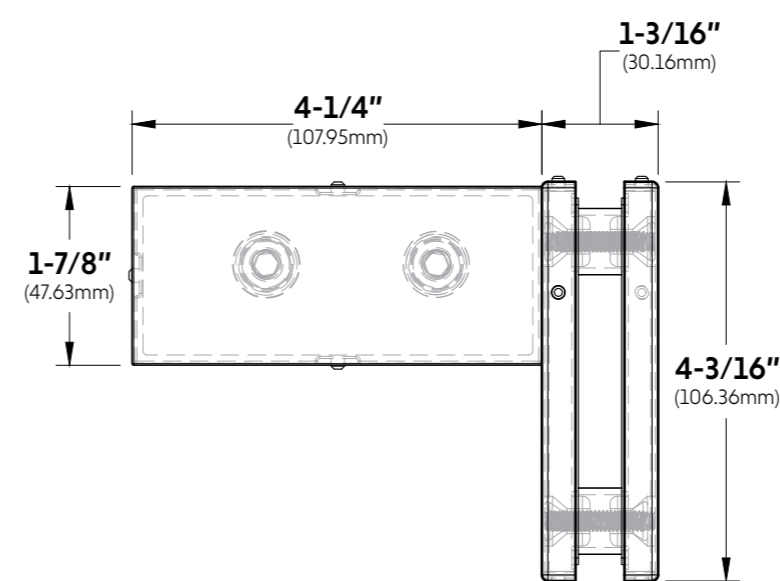
TOP VIEW



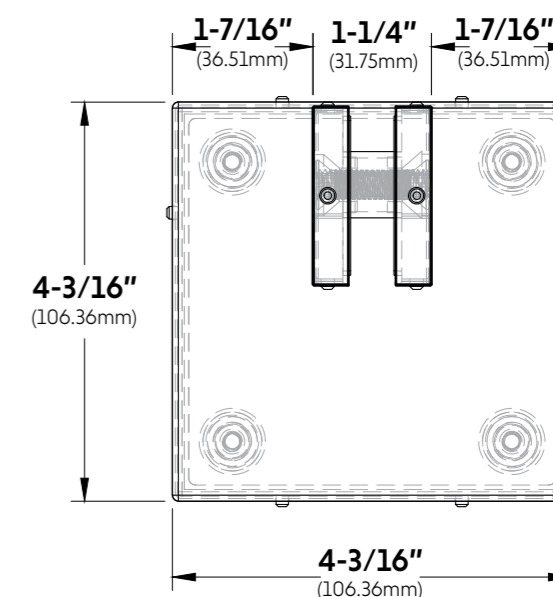
FRONT VIEW



LEFT SIDE VIEW



BACK VIEW

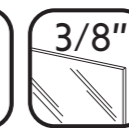
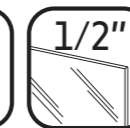


10101 NW 79th Ave  
Hialeah Gardens, FL 33016  
Phone: (877) 658-9008  
Fax: (888) 280-2285

Product: **IGT Patch Connector With Support Fin**

Code: PFH111

Material: Aluminum Alloy / Stainless Steel



**Specifications:**

**Glass thickness:** 3/8" (10mm) to 1/2" (12mm).  
Cutout required - Tempered glass only  
**Includes:** Gaskets, screws and fabrication dimensions.