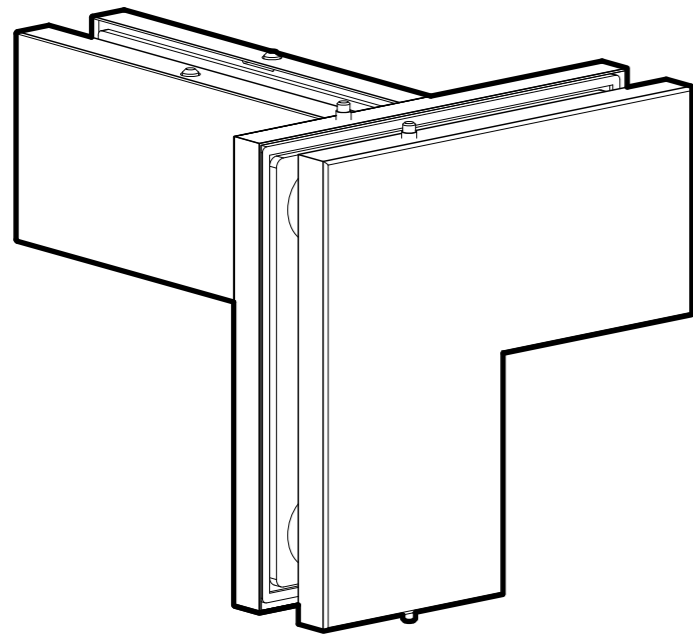
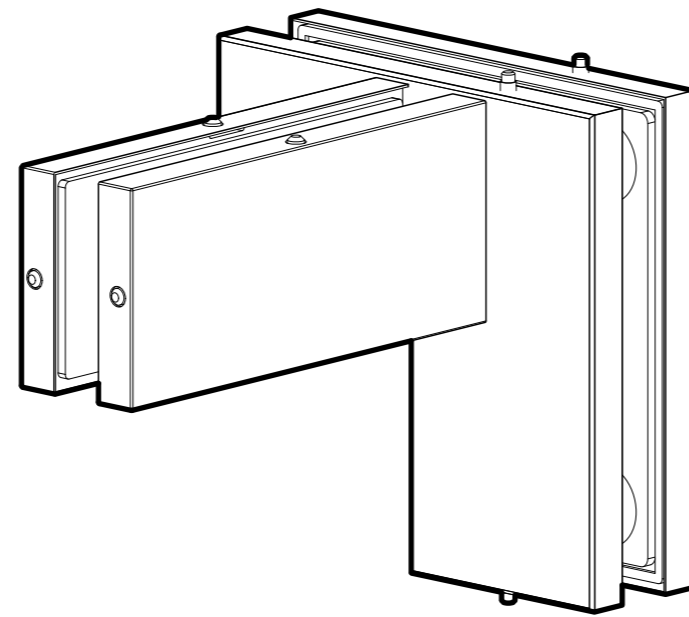


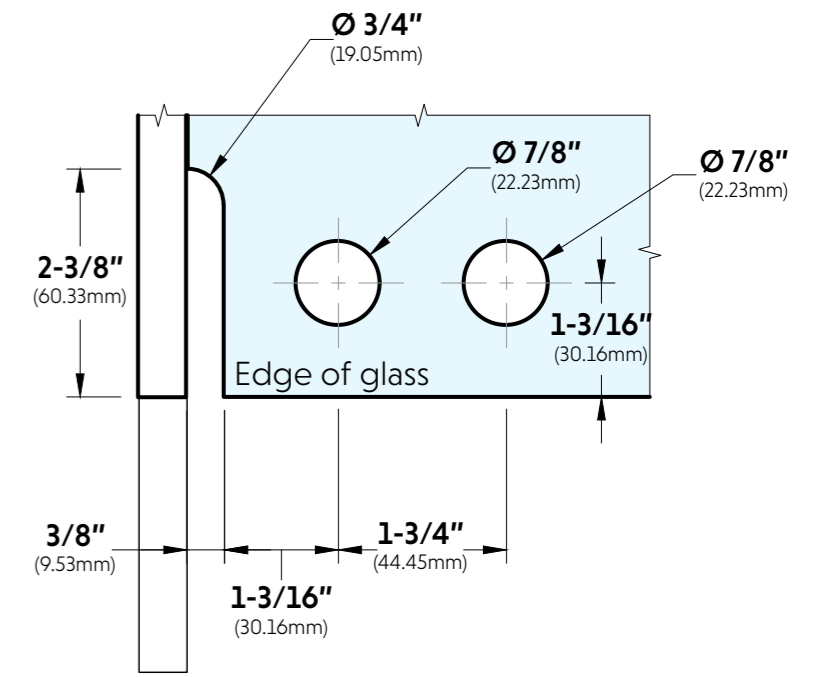
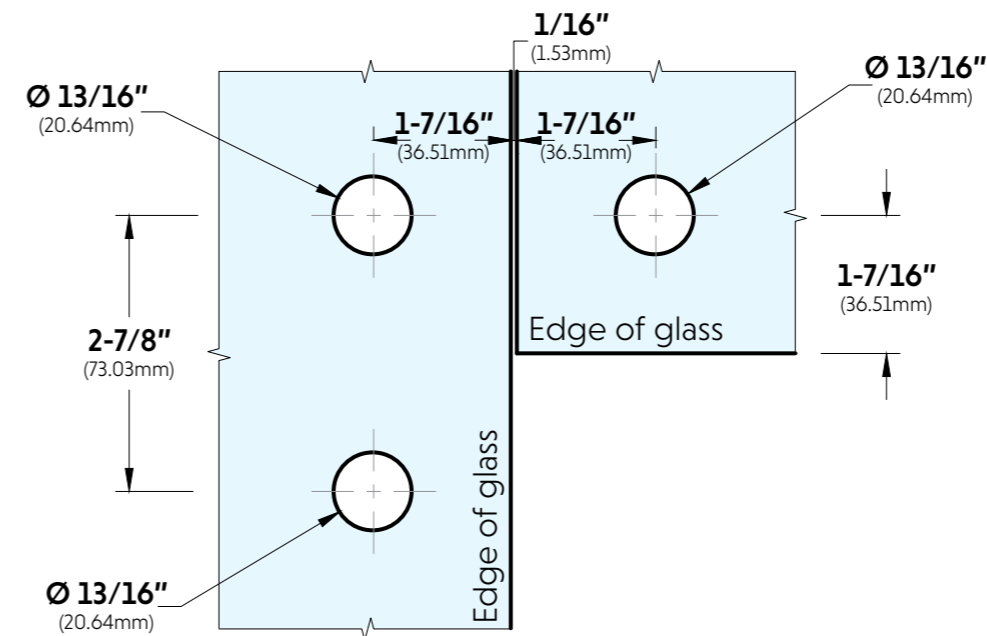
FRONT



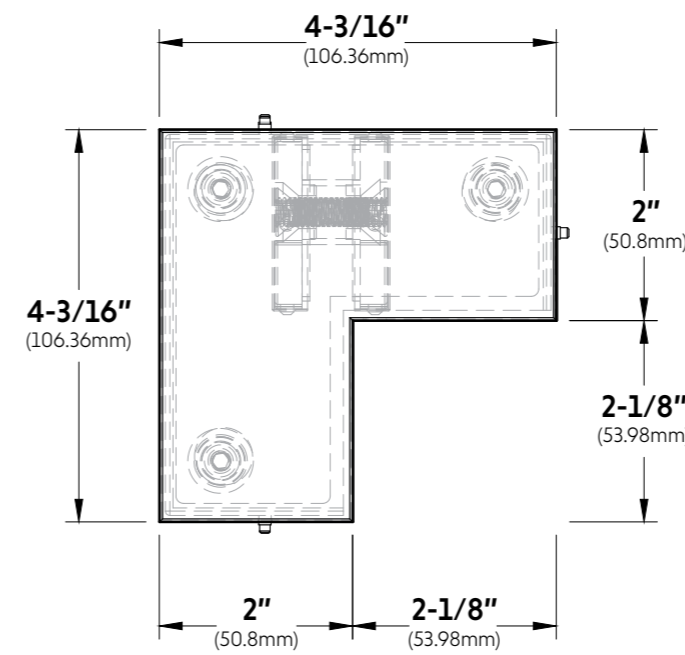
BACK



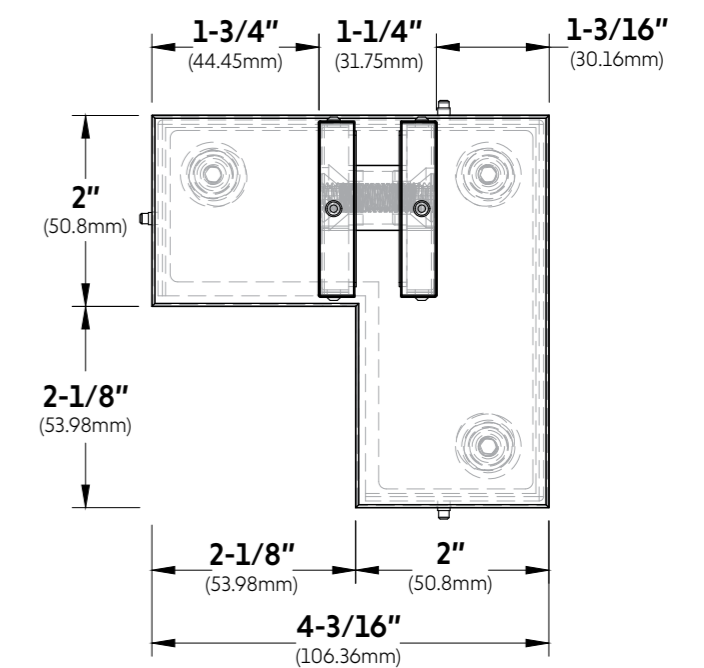
GLASS CUT OUT



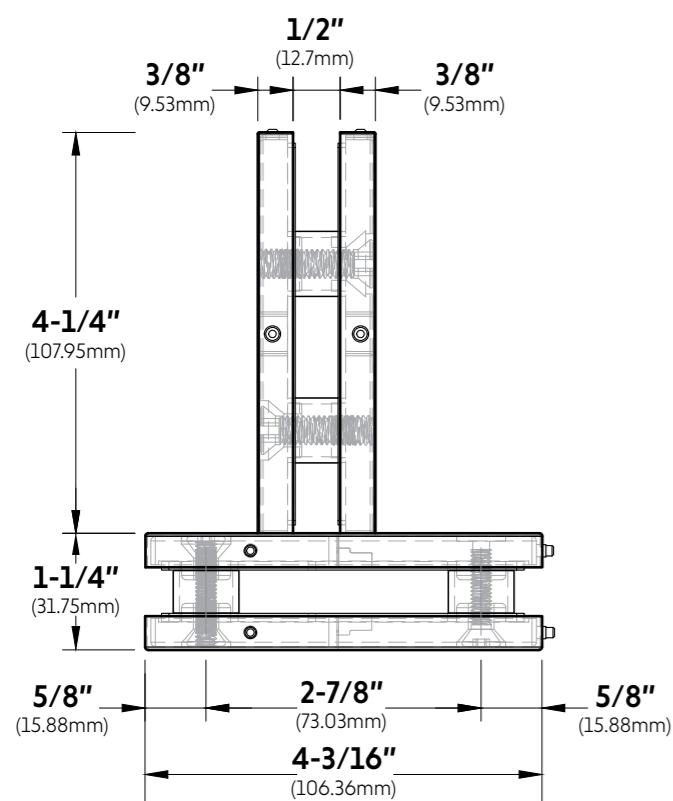
FRONT VIEW



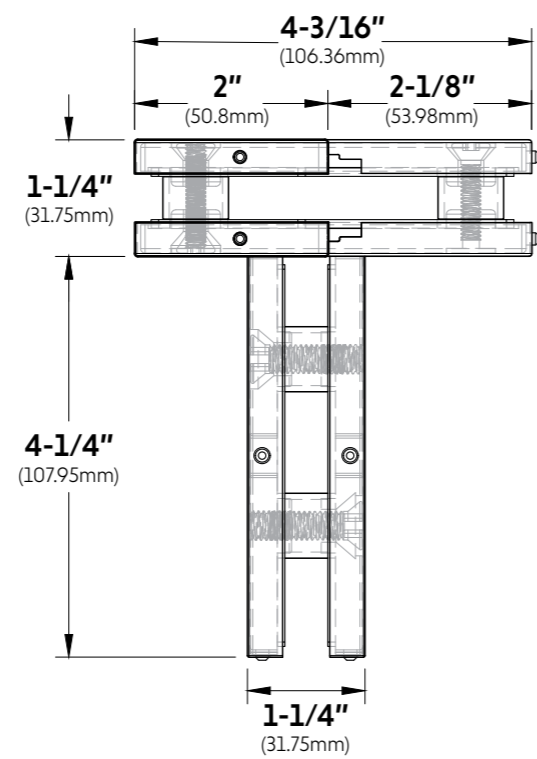
BACK VIEW



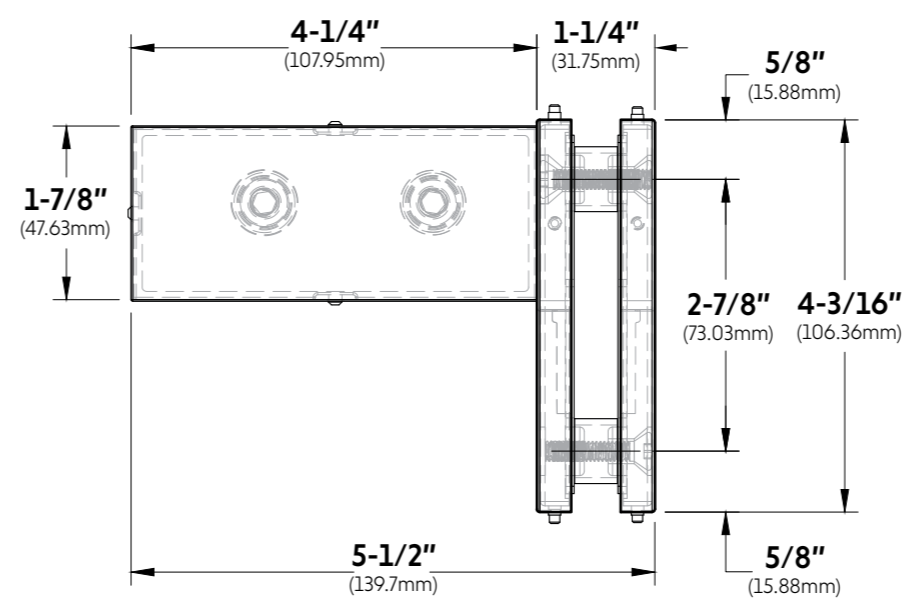
TOP VIEW



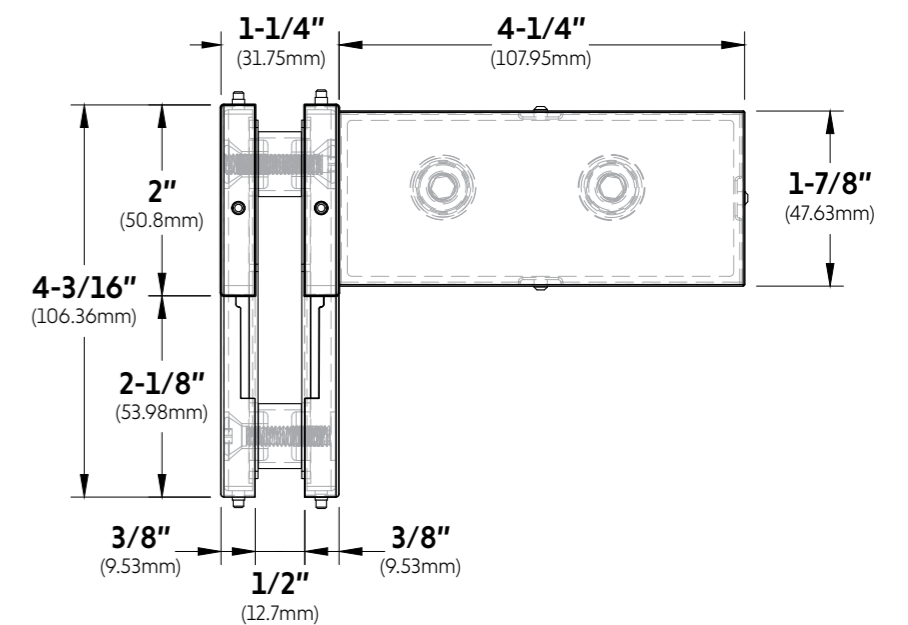
BOTTOM VIEW



LEFT SIDE VIEW

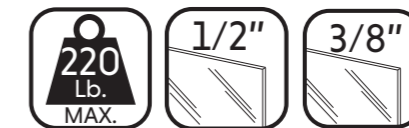


RIGHT SIDE VIEW



10101 NW 79th Ave
 Hialeah Gardens, FL 33016
 Phone: (877) 658-9008
 Fax: (888) 280-2285

Product: **IGT Transom/Sidelite Patch Connector with Left-hand Support fin**
 Code: PFH108L
 Material: Aluminum Alloy / Stainless Steel



Specifications:
 Glass thickness: 3/8" (10mm) to 1/2" (12mm).
 Cutout required - Tempered glass only
 Includes: Gaskets, screws and fabrication dimensions.