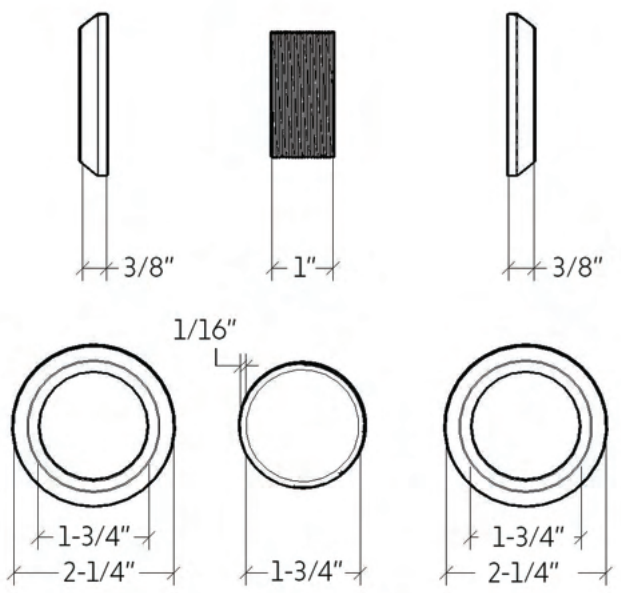
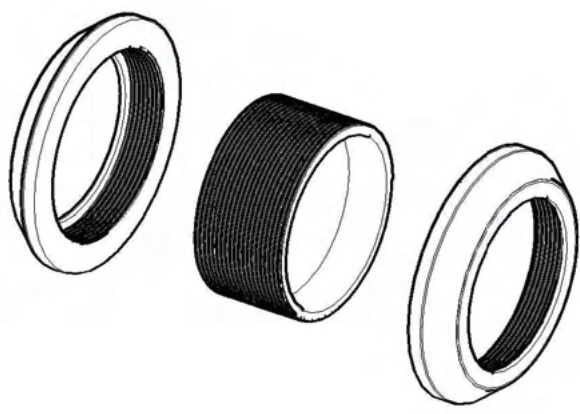
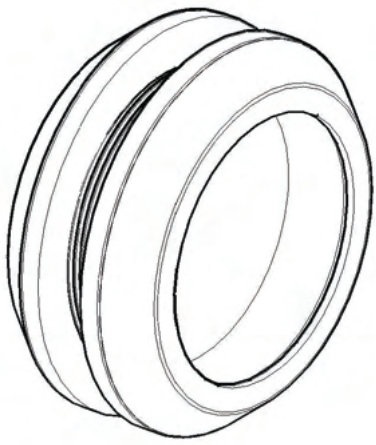


Specifications:

Glass thickness: 5/16" (8mm) to 1/2" (12mm) tempered glass only.
Cut-out: 1 7/8" hole diameter required



5260 NW 167th Street
Miami Gardens, FL 33014
Phone: (877) 658-9008
Fax: (888) 280-2285

Product: Finger Pull	
Code: TDL55	Material: Stainless Steel