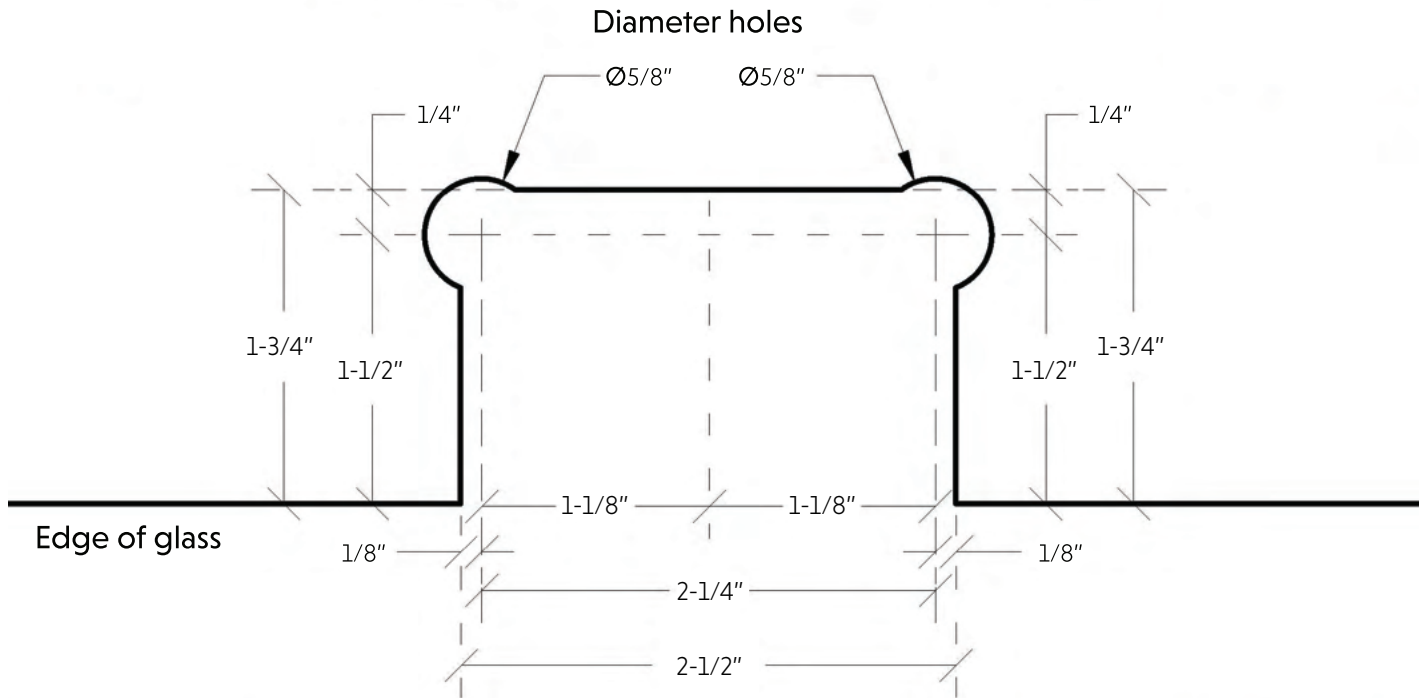


Specifications:
 Glass thickness: 3/8" (10mm) to 1/2" (12mm) tempered glass only.
 Construction: solid brass.
 Includes: gaskets, screws and fabrication dimensions



5260 NW 167th Street
 Miami Gardens, FL 33014
 Phone: (877) 658-9008
 Fax: (888) 280-2285

Product: Wall to glass 135° back plate	
Code: H207	Material: Solid Brass