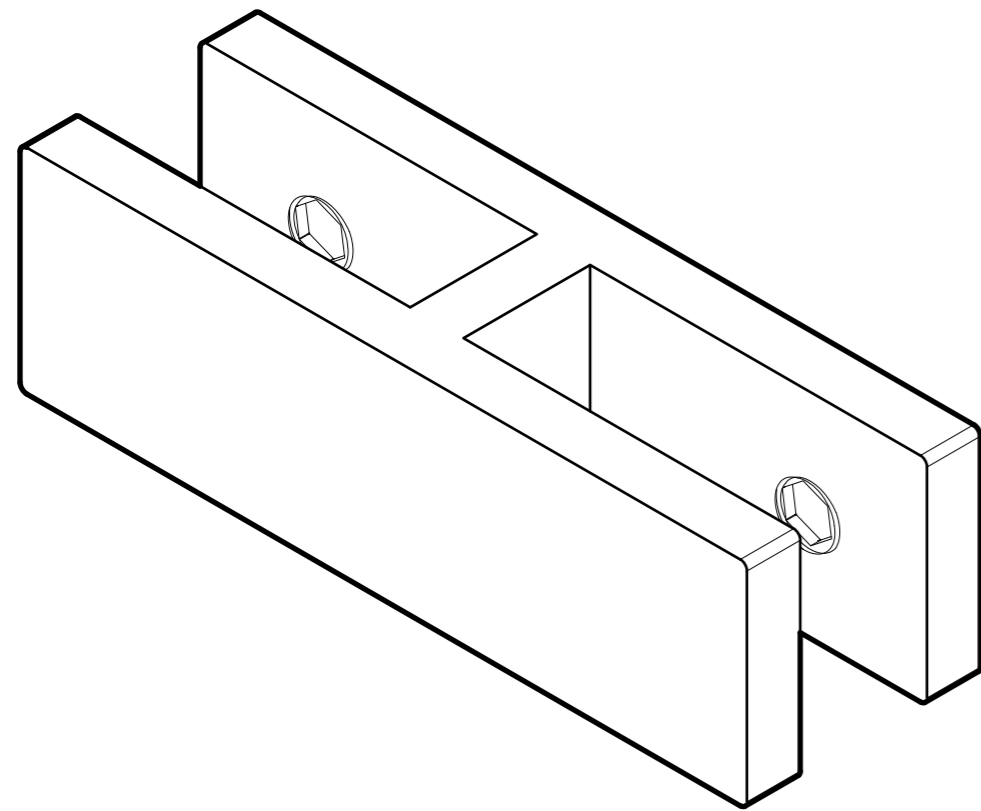
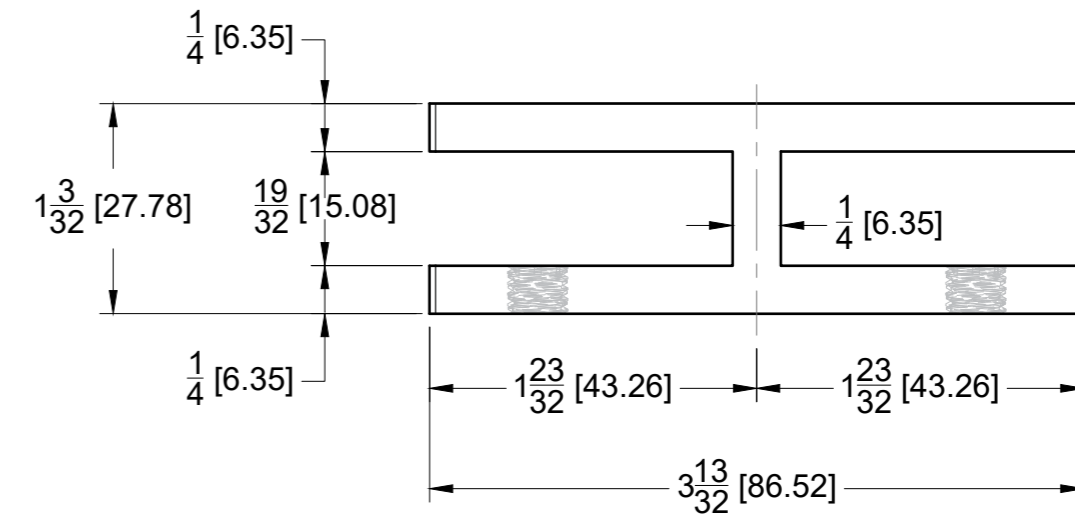


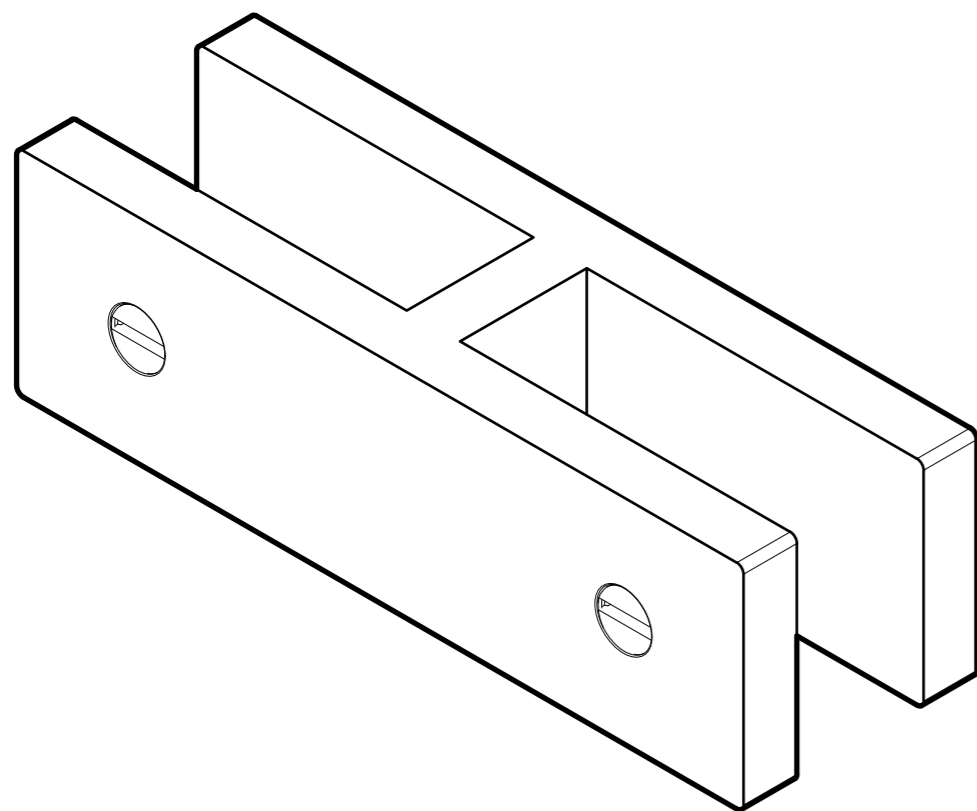
FRONT



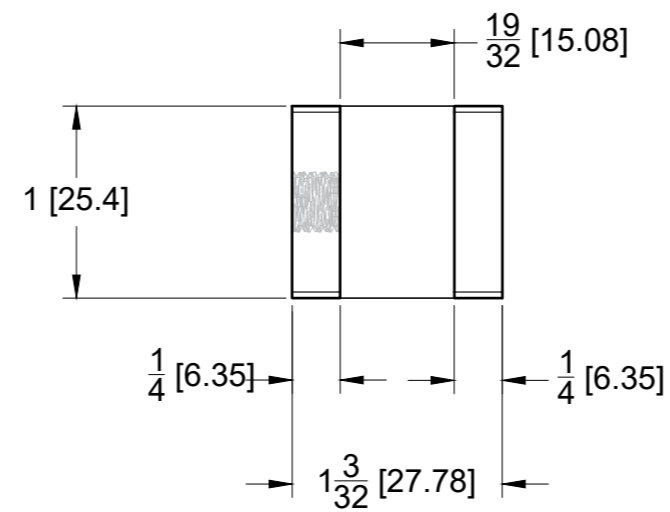
TOP VIEW



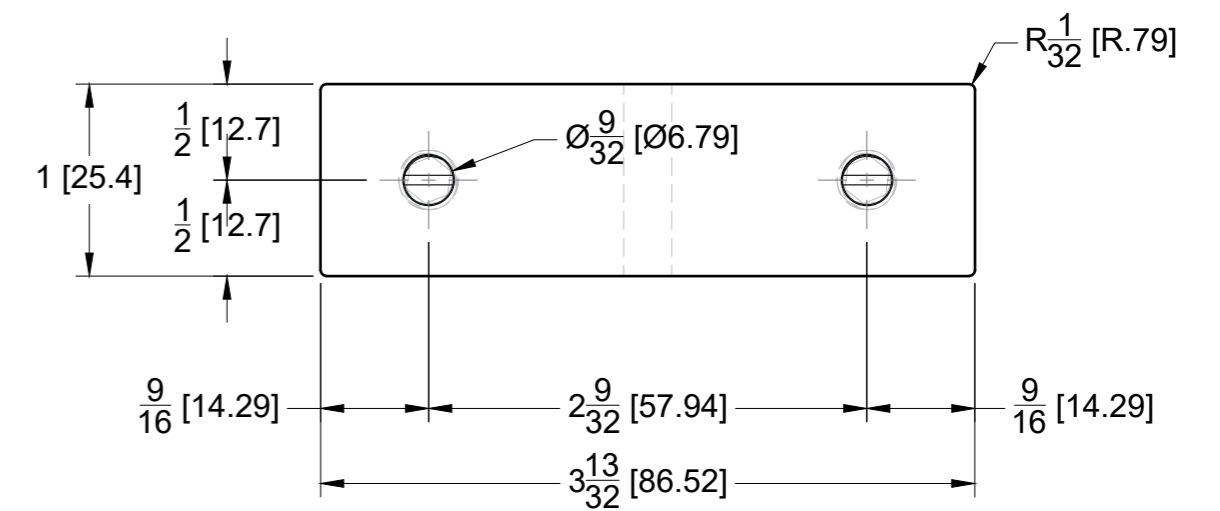
BACK



SIDE VIEW



BACK VIEW



10101 NW 79th Ave
Hialeah Gardens, FL 33016
Phone: (877) 658-9008
Fax: (888) 280-2285

Product: **180 Degree Glass Bracing Clamp**
Code: R95
Material: 316L Stainless Steel

Specifications:
Glass thickness: 1/2" (12 mm) to 9/16" (14.3 mm).
Cutout not required - Tempered and laminated glass.
Includes: Grub screws and gaskets for installation.

BEFORE PROCEEDING WITH FABRICATION, PLEASE ENSURE THAT YOU VERIFY ALL MEASUREMENTS. IT IS CRUCIAL TO DOUBLE-CHECK THE SPECIFICATIONS TO AVOID ANY DISCREPANCIES. FOR THE MOST UP-TO-DATE TECHNICAL SPECSHEETS AND CUTOUTS, KINDLY VISIT GLASSHARDWARE.COM.
Date: 12/23/24