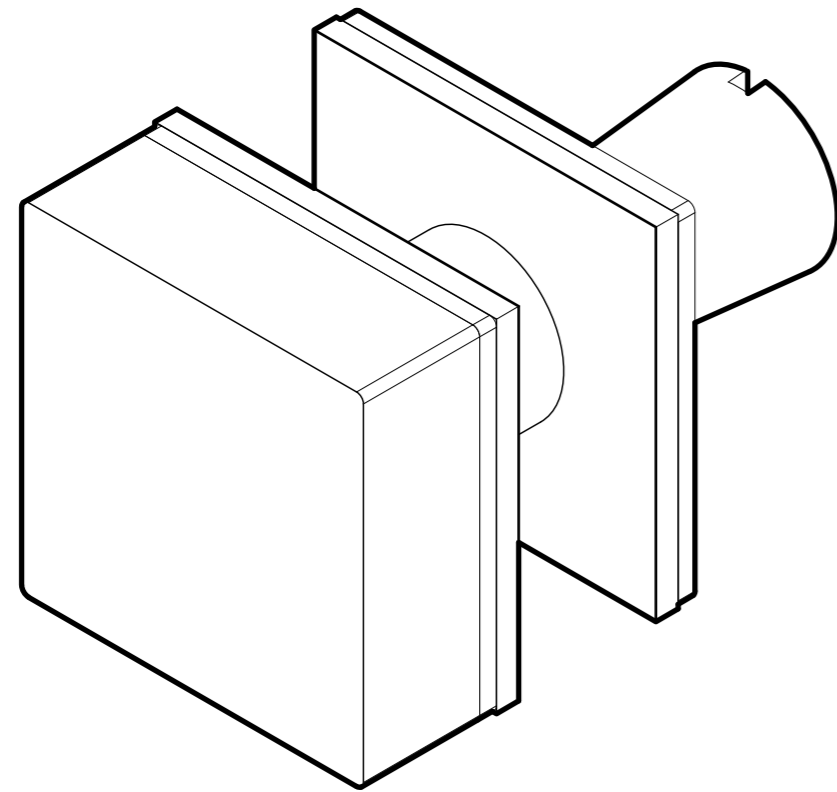
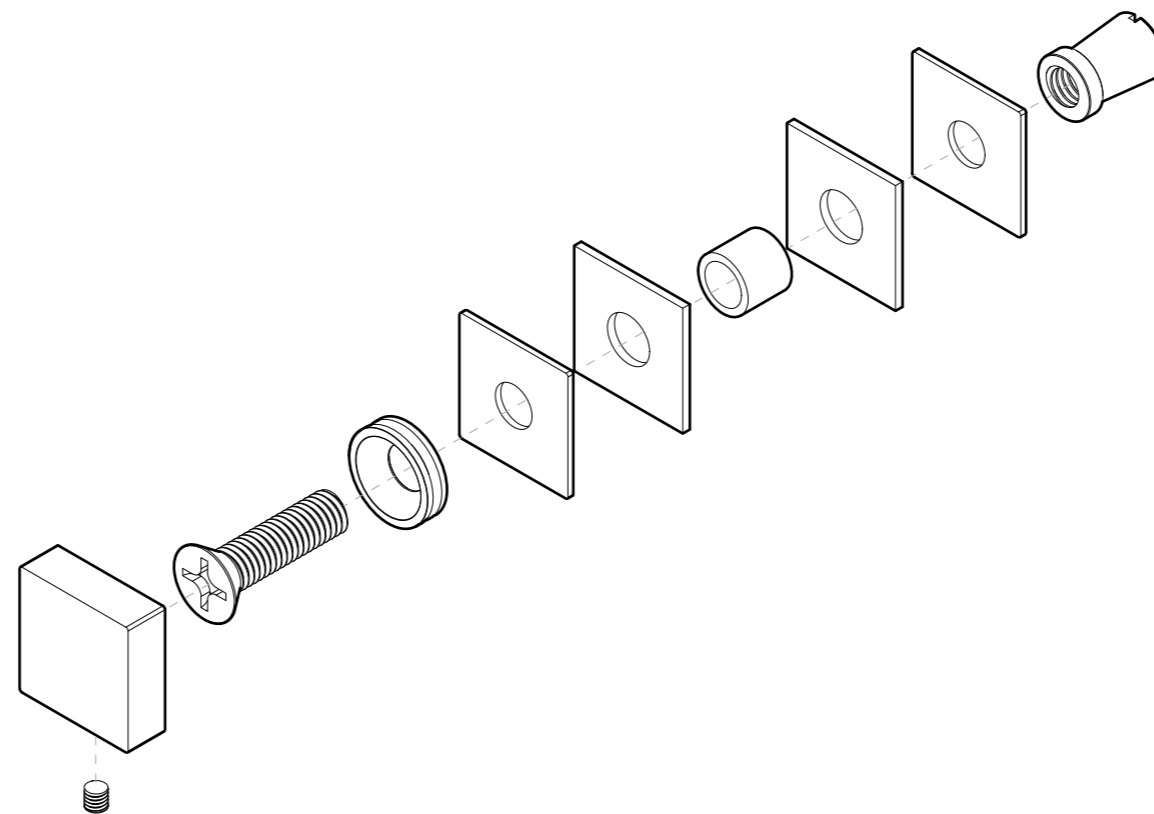
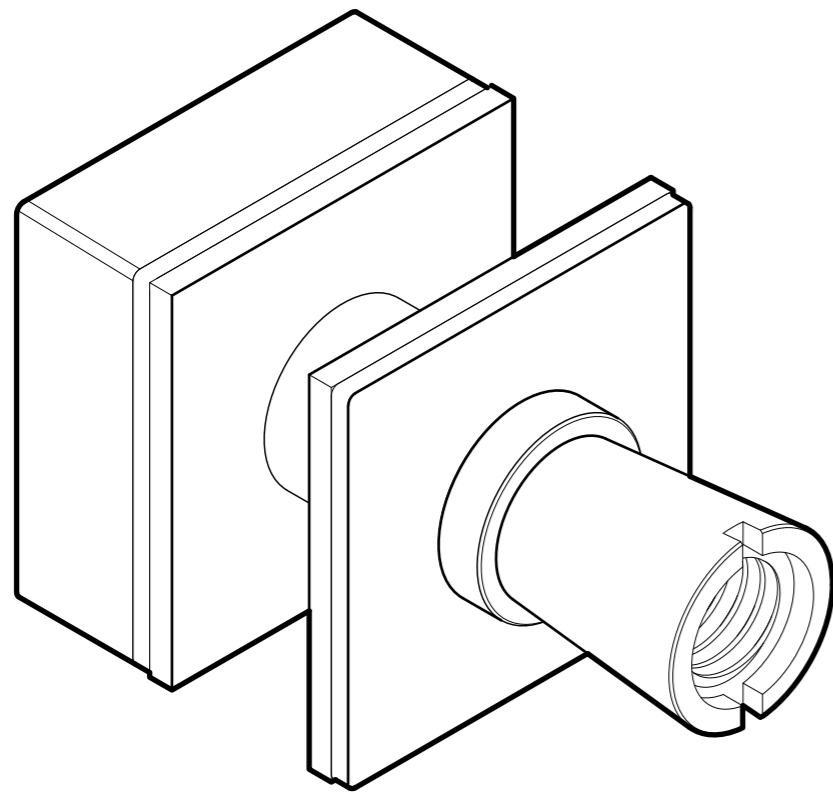


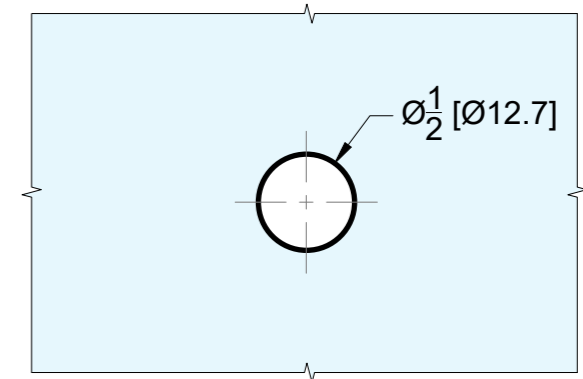
FRONT



BACK



GLASS CUT OUT



10101 NW 79th Ave
 Hialeah Gardens, FL 33016
 Phone: (877) 658-9008

Product: **Cap Fittings for Square Commerical Ladder Handle**
 Code: SQLHCAP Material: 304 Stainless Steel

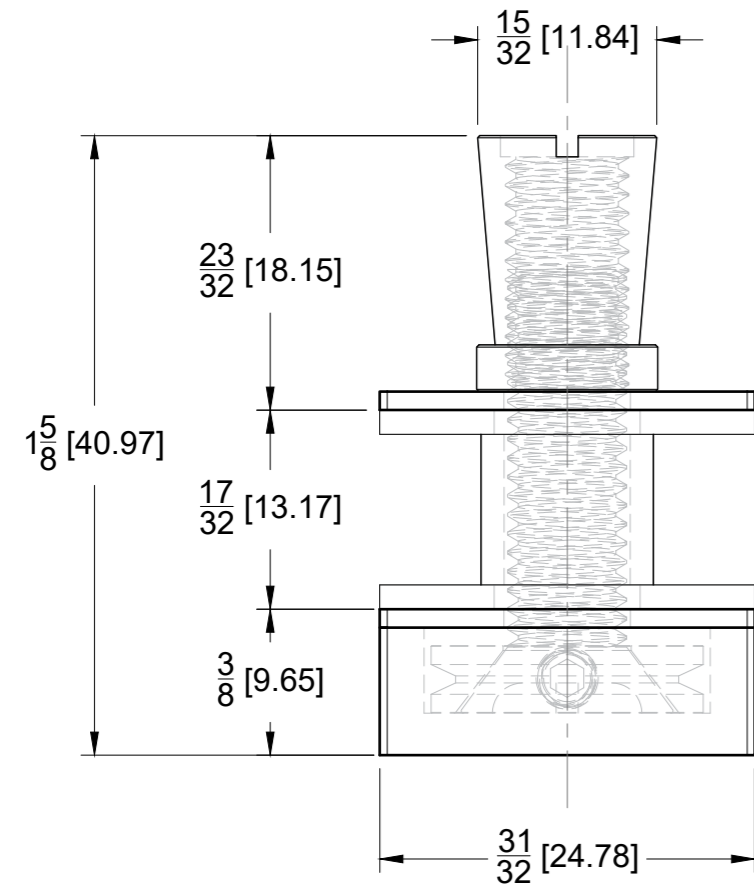
Specifications:
Glass thickness: 3/8" (10 mm) to 1/2" (12 mm).
 Cutout required - Tempered glass only
Includes: Gaskets and screws for installation

BEFORE PROCEEDING WITH FABRICATION, PLEASE ENSURE THAT YOU VERIFY ALL MEASUREMENTS. IT IS CRUCIAL TO DOUBLE-CHECK THE SPECIFICATIONS TO AVOID ANY DISCREPANCIES. FOR THE MOST UP-TO-DATE TECHNICAL SPECSHEETS AND CUTOUTS, KINDLY VISIT GLASSHARDWARE.COM.

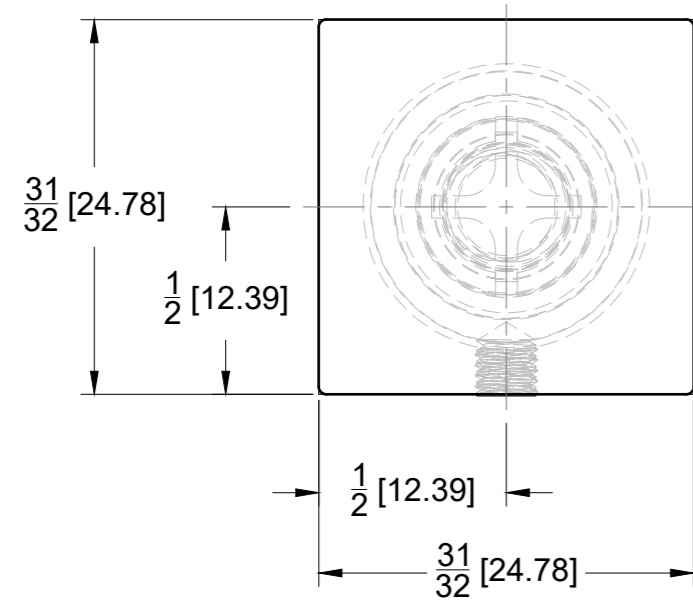
Date: 03/03/2025

Sheet N°: 1/2

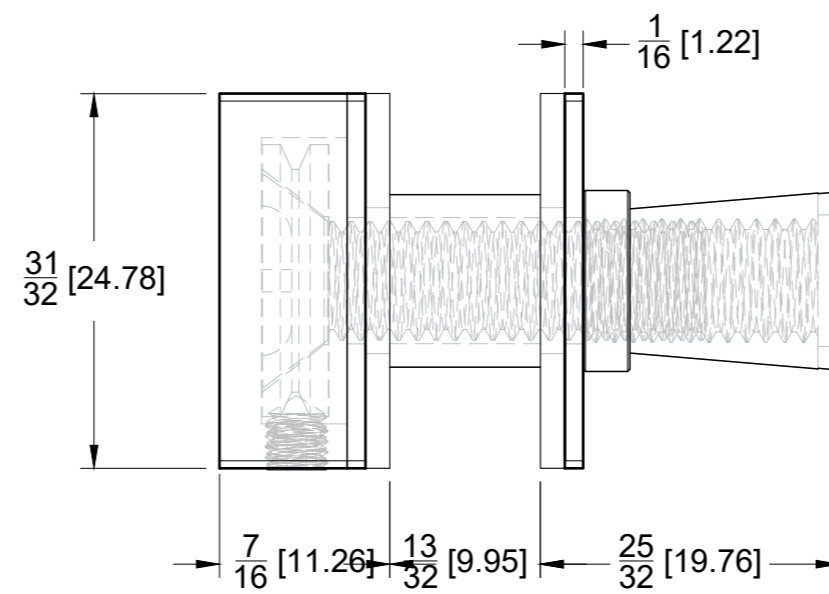
TOP VIEW



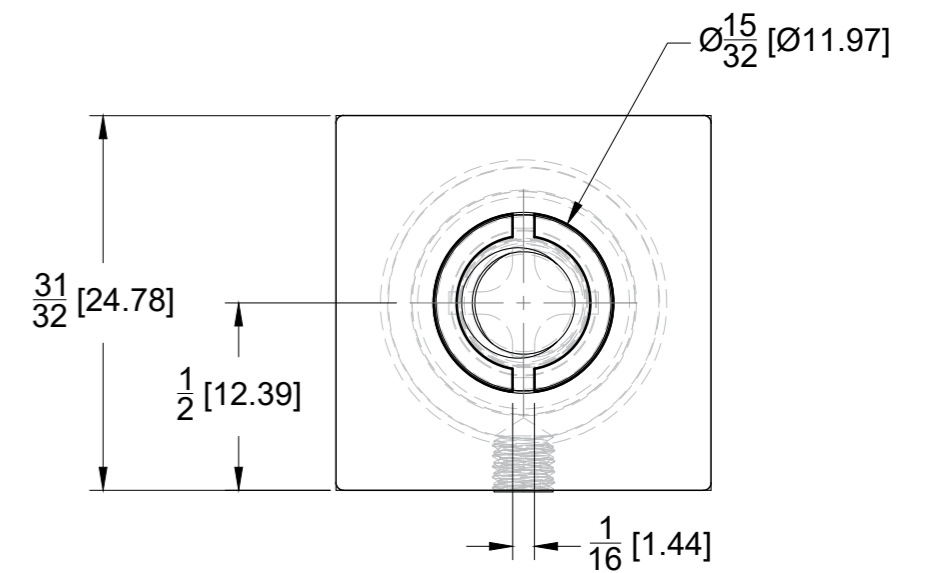
FRONT VIEW



SIDE VIEW



BACK VIEW



10101 NW 79th Ave
Hialeah Gardens, FL 33016
Phone: (877) 658-9008

Product: **Cap Fittings for Square Commerical Ladder Handle**
Code: SQLHCAP Material: 304 Stainless Steel

Specifications:
Glass thickness: 3/8" (10 mm) to 1/2" (12 mm).
Cutout required - Tempered glass only
Includes: Gaskets and screws for installation

BEFORE PROCEEDING WITH FABRICATION, PLEASE ENSURE THAT YOU VERIFY ALL MEASUREMENTS. IT IS CRUCIAL TO DOUBLE-CHECK THE SPECIFICATIONS TO AVOID ANY DISCREPANCIES. FOR THE MOST UP-TO-DATE TECHNICAL SPECSHEETS AND CUTOUTS, KINDLY VISIT GLASSHARDWARE.COM.

Date: 03/03/2025

Sheet N°: 2/2