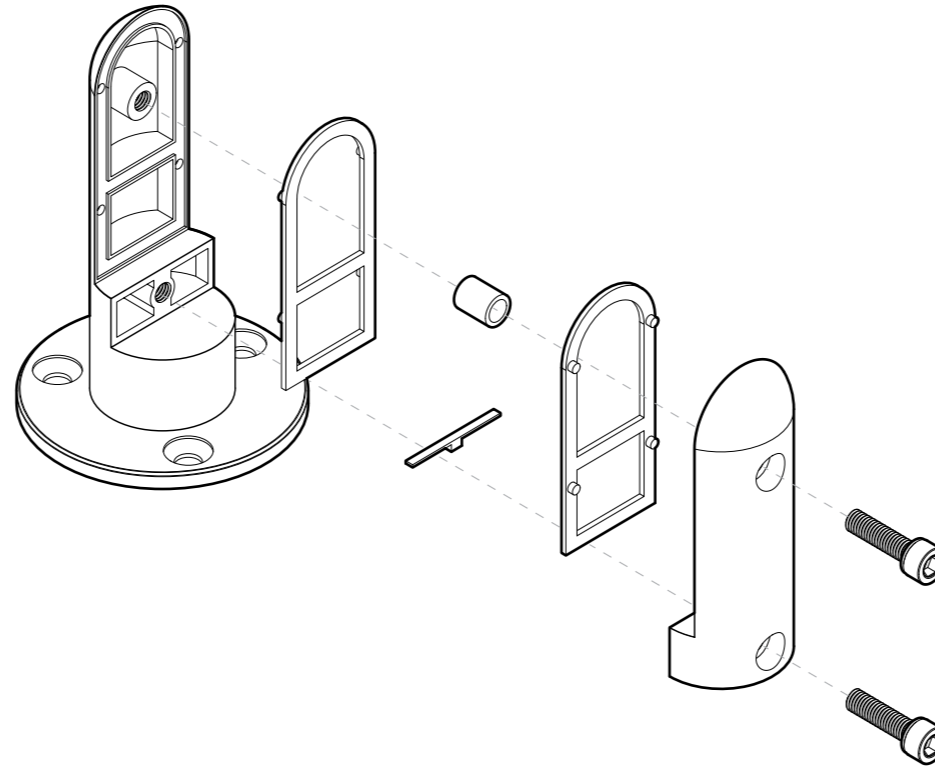
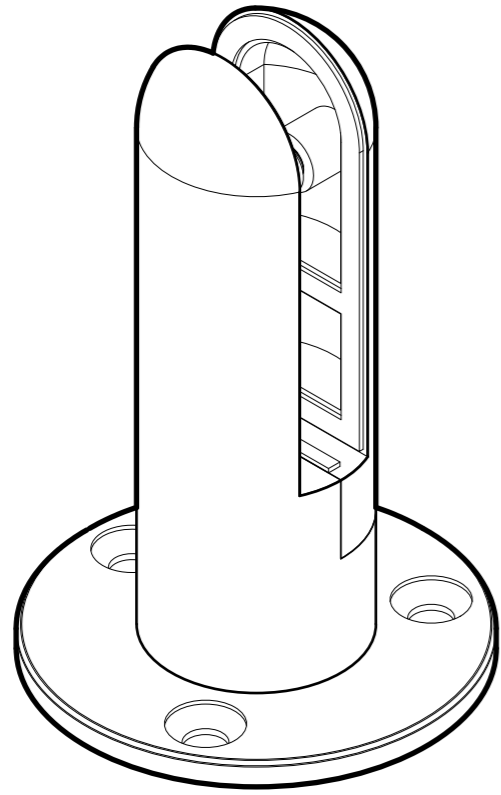
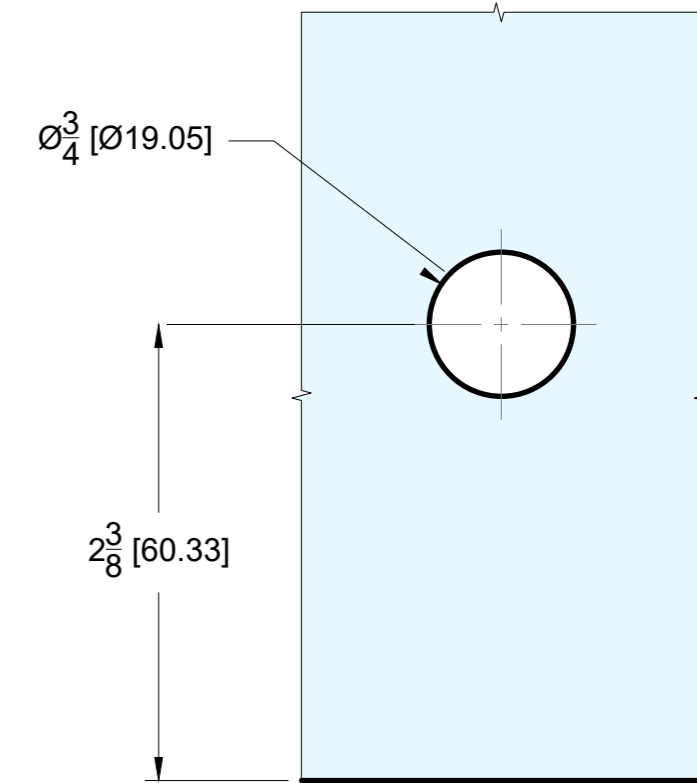


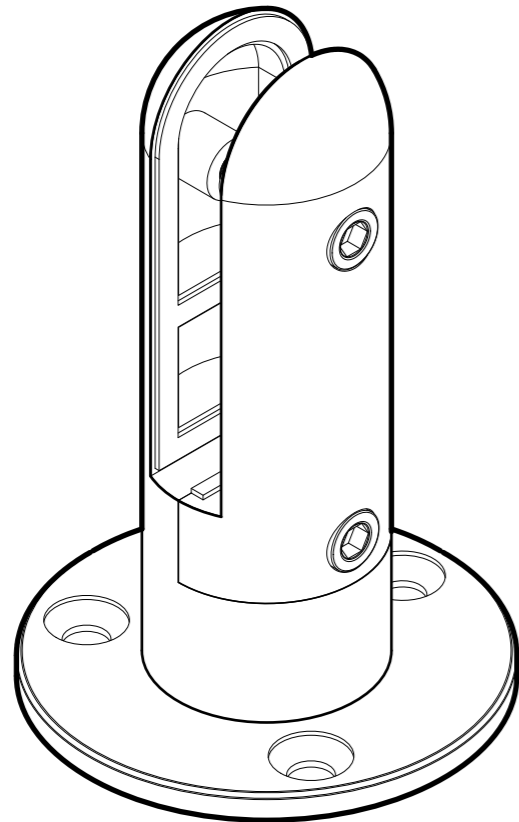
FRONT



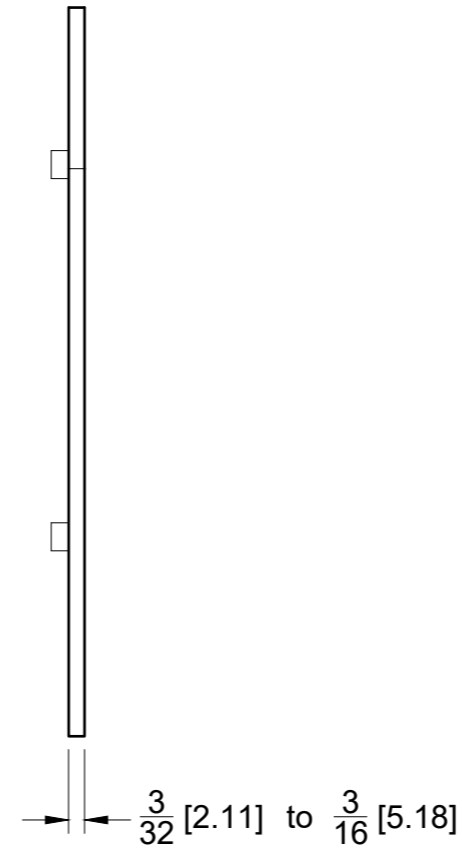
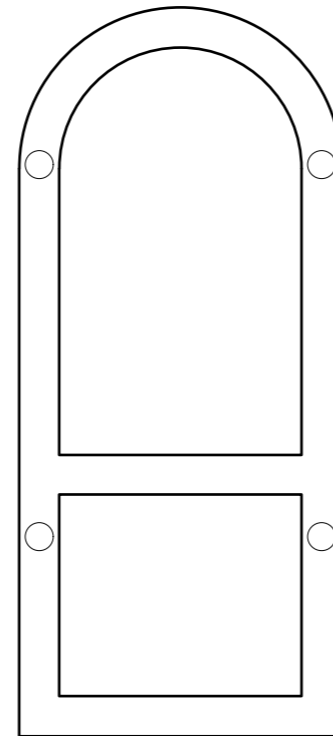
GLASS CUT OUT



BACK



GASKET THICKNESS



Gaskets included for:
 1/2" (12 mm) glass
 9/16" (14 mm) glass
 5/8" (16 mm) glass
 11/16" (18 mm) glass



10101 NW 79th Ave
 Hialeah Gardens, FL 33016
 Phone: (877) 658-9008

Product: **316L Stainless Steel Round Spigot**

Code: R600

Material: 316L Stainless Steel

Specifications:

Glass thickness: 1/2" (12 mm) to 11/16" (18 mm).
 Cutout required - Laminated glass

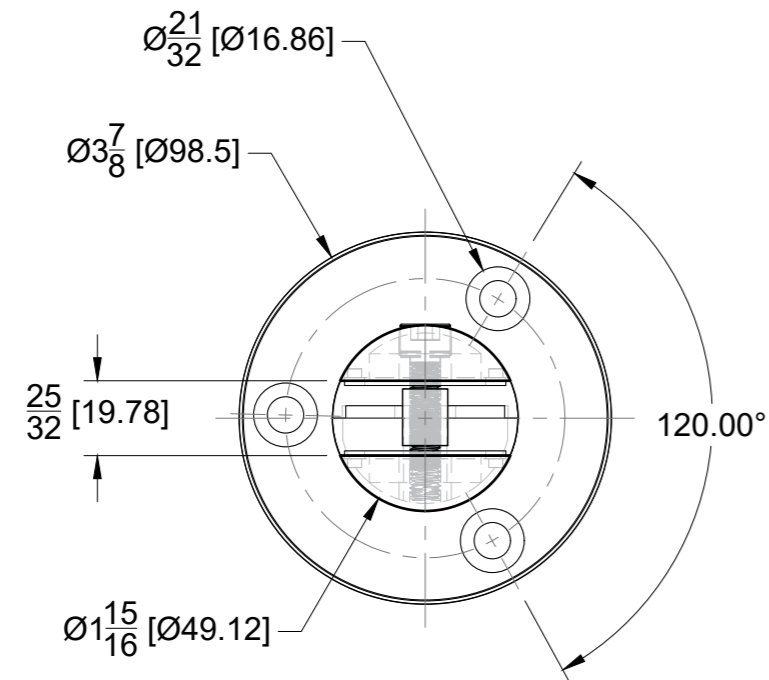
Includes: Gaskets for installation

BEFORE PROCEEDING WITH FABRICATION, PLEASE ENSURE THAT YOU VERIFY ALL MEASUREMENTS. IT IS CRUCIAL TO DOUBLE-CHECK THE SPECIFICATIONS TO AVOID ANY DISCREPANCIES. FOR THE MOST UP-TO-DATE TECHNICAL SPECSHEETS AND CUTOUTS, KINDLY VISIT GLASSHARDWARE.COM.

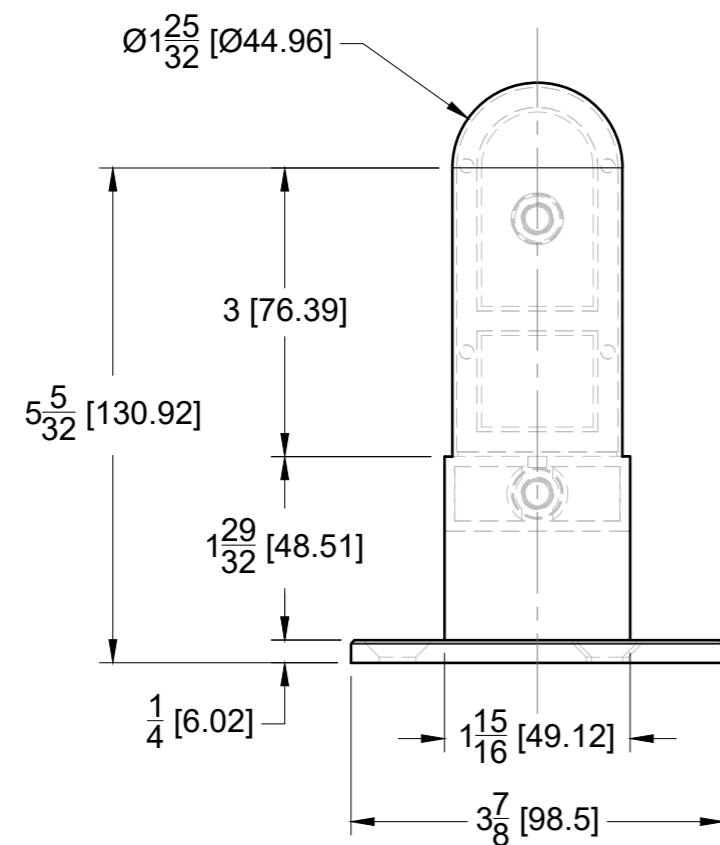
Date: 03/04/25

Sheet N°: 1/2

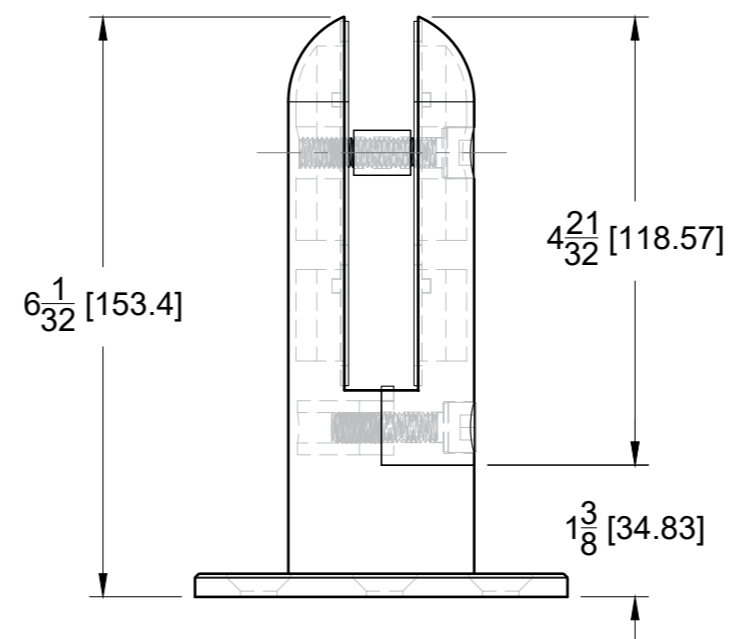
TOP VIEW



FRONT VIEW



SIDE VIEW



BACK VIEW

