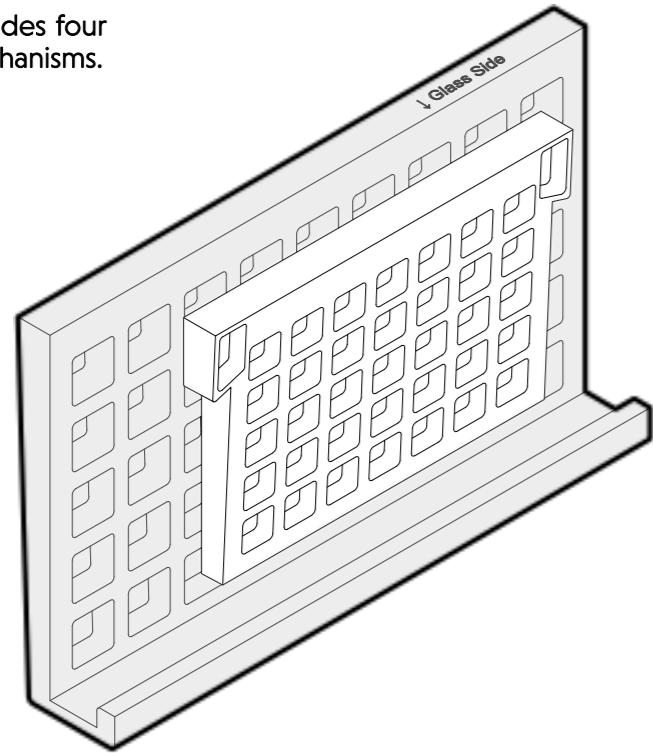
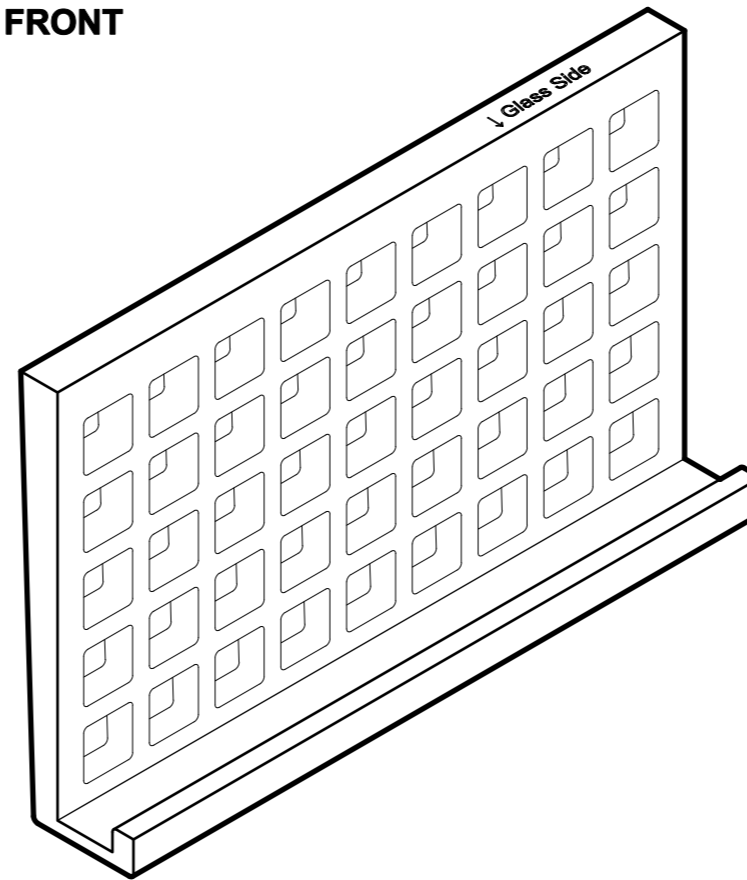


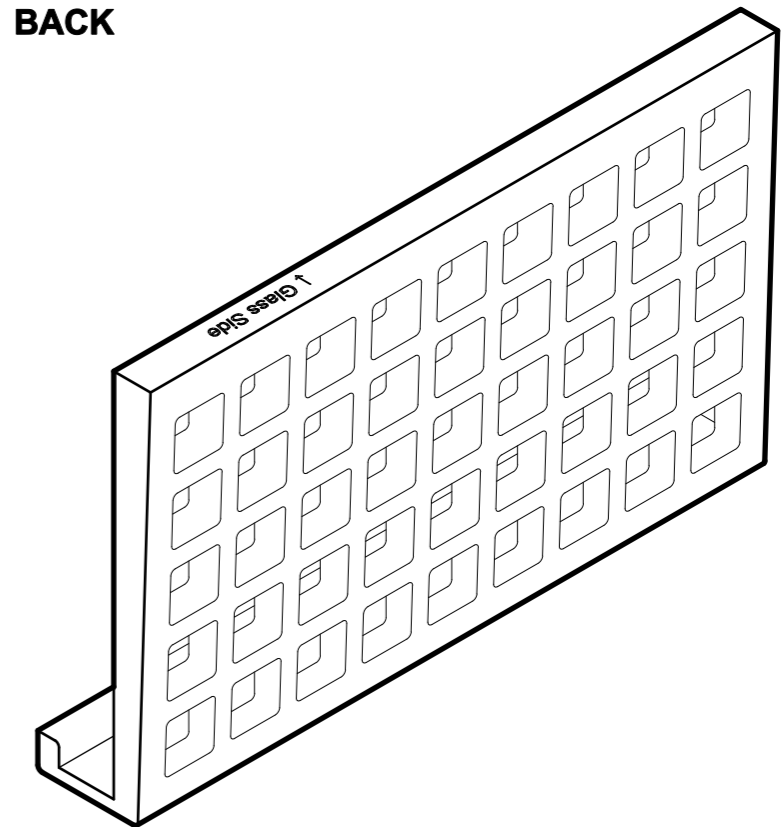
* Each kit includes four J-Wedge mechanisms.



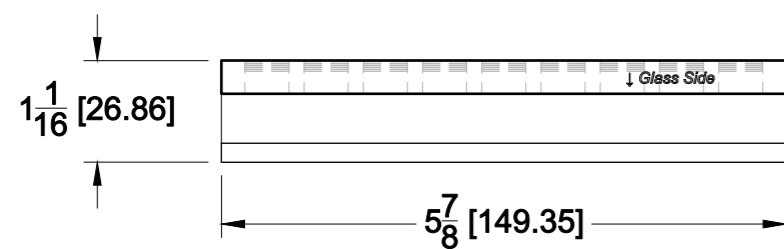
FRONT



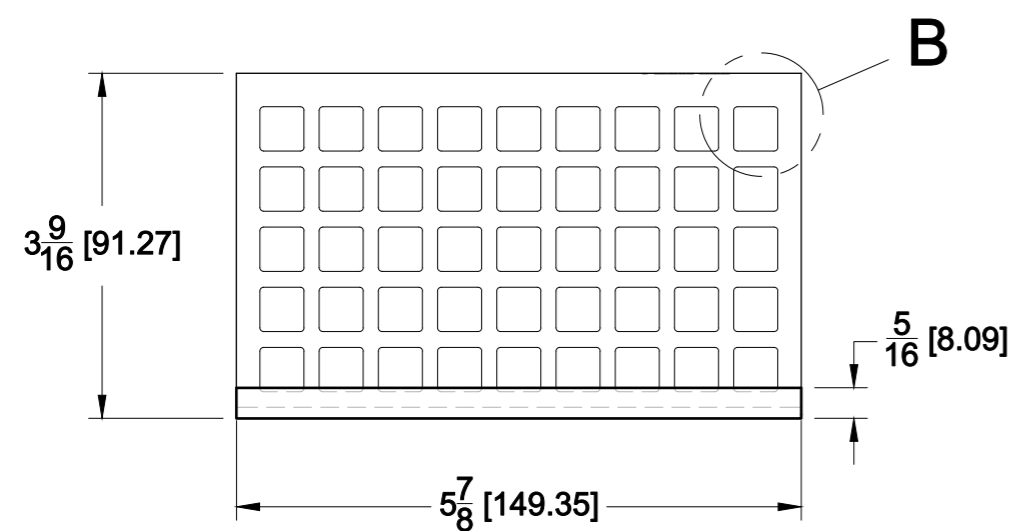
BACK



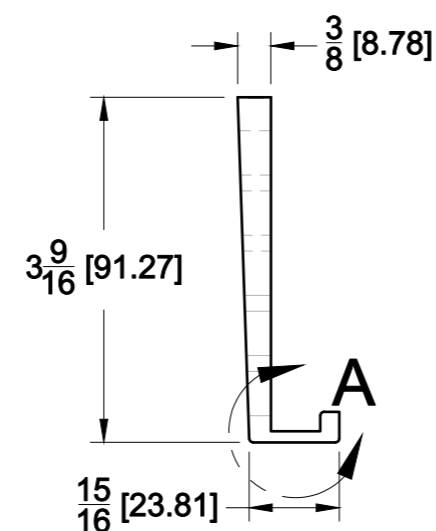
TOP VIEW



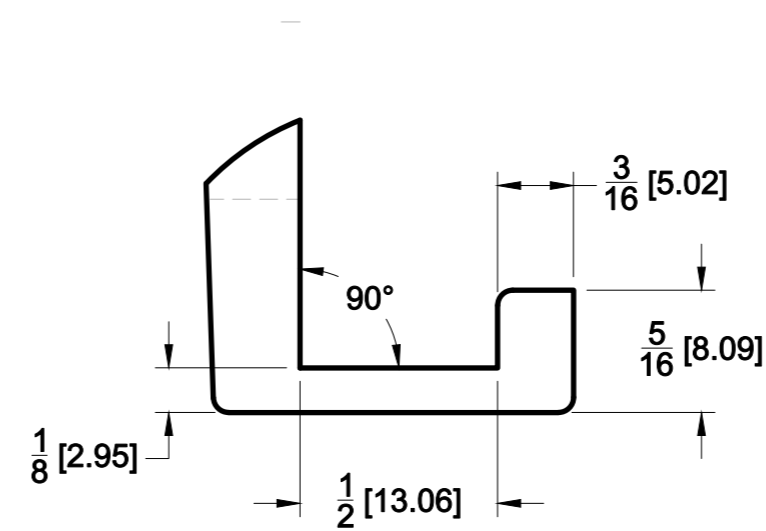
FRONT VIEW



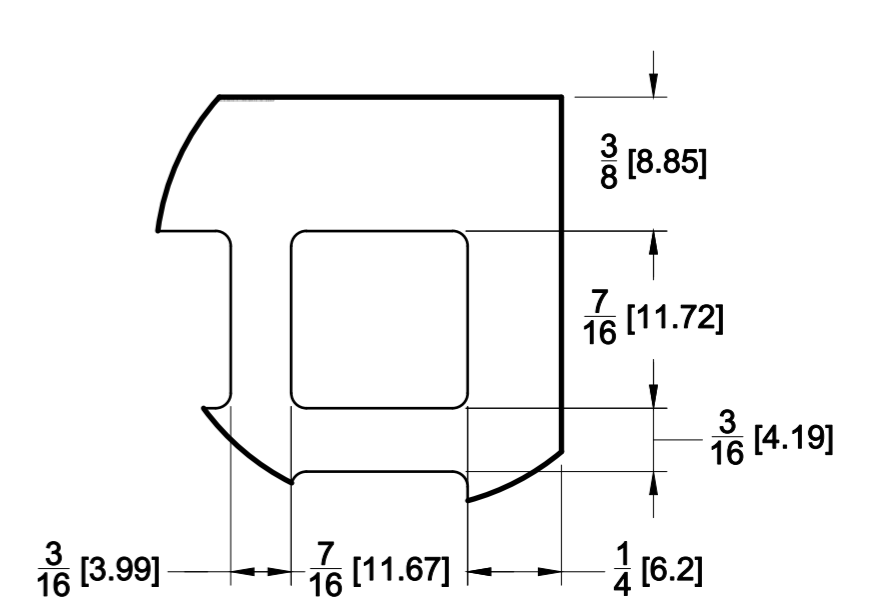
SIDE VIEW



DETAIL A



DETAIL B



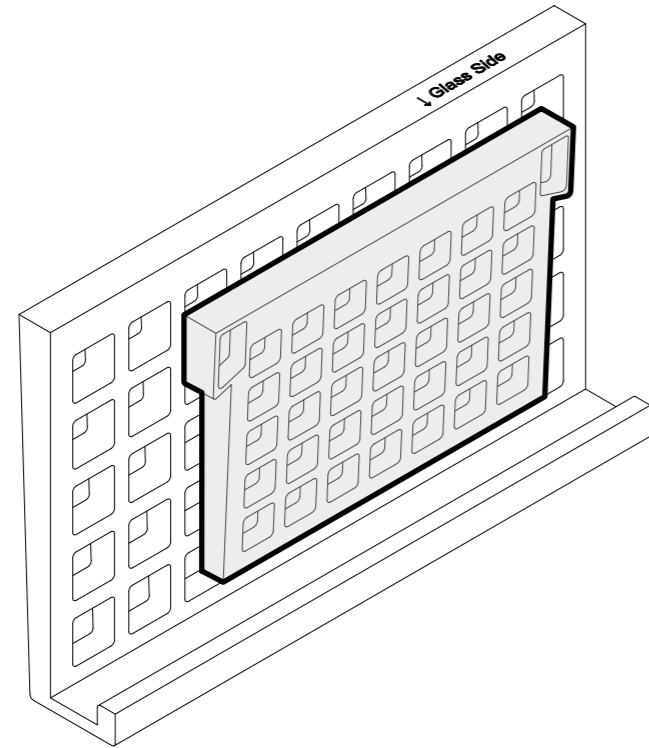
10101 NW 79th Ave
Hialeah Gardens, FL 33016
Phone: (877) 658-9008

Product: 1/2" Glass Mounting Kit for IGT Aluminum Base Shoe	
Code: R4600	Material: PVC

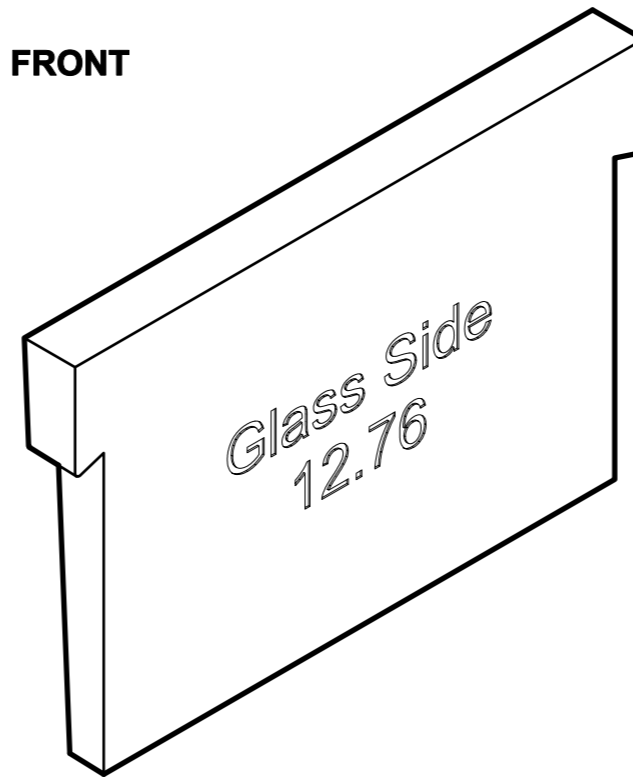
Specifications: Glass thickness: 1/2" (12.7 mm).
Includes: One 1/2" Glass Mounting Kit for IGT Aluminum Base Shoe (4 mechanisms)

BEFORE PROCEEDING WITH FABRICATION, PLEASE ENSURE THAT YOU VERIFY ALL MEASUREMENTS. IT IS CRUCIAL TO DOUBLE-CHECK THE SPECIFICATIONS TO AVOID ANY DISCREPANCIES. FOR THE MOST UP-TO-DATE TECHNICAL SPECSHEETS AND CUTOUTS, KINDLY VISIT GLASSHARDWARE.COM
Date: 01/29/26
Sheet N°: 1/2

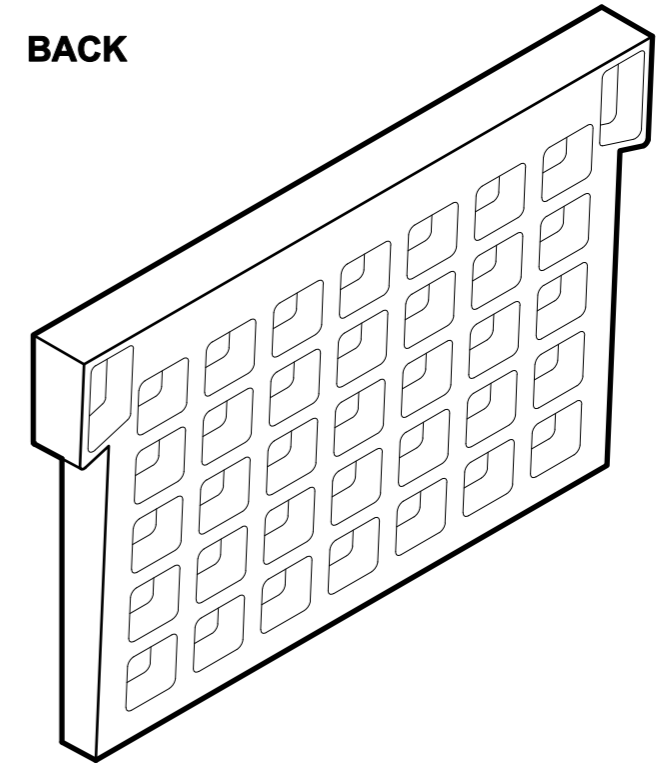
* Each kit includes four J-Wedge mechanisms.



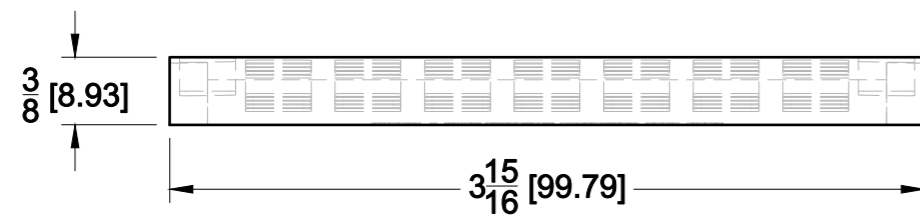
FRONT



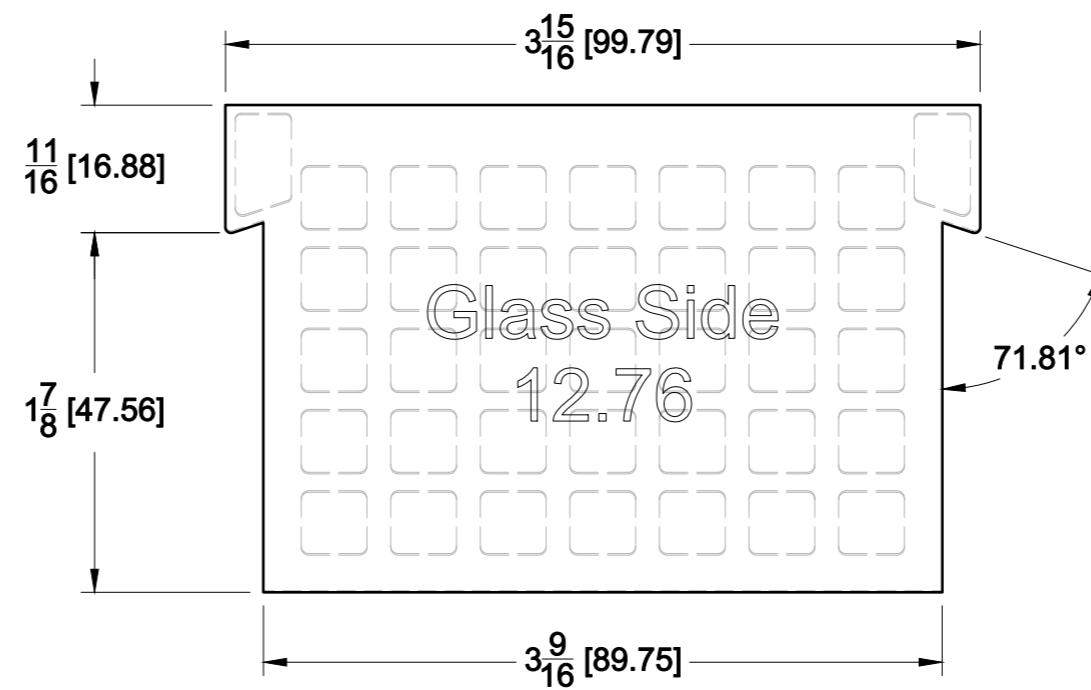
BACK



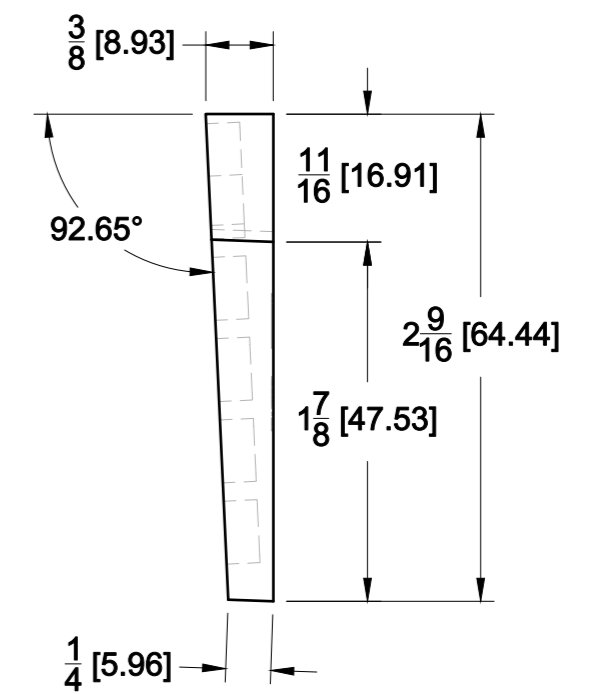
TOP VIEW



FRONT VIEW



SIDE VIEW



10101 NW 79th Ave
Hialeah Gardens, FL 33016
Phone: (877) 658-9008

Product: **1/2" Glass Mounting Kit for IGT
Aluminum Base Shoe**

Code: R4600

Material: PVC

Specifications:
Glass thickness: 1/2" (12.7 mm).

Includes: One 1/2" Glass Mounting Kit for IGT Aluminum
Base Shoe (4 mechanisms)

BEFORE PROCEEDING WITH FABRICATION, PLEASE ENSURE THAT YOU VERIFY ALL MEASUREMENTS.
IT IS CRUCIAL TO DOUBLE-CHECK THE SPECIFICATIONS TO AVOID ANY DISCREPANCIES. FOR THE
MOST UP-TO-DATE TECHNICAL SPECSHEETS AND CUTOUTS, KINDLY VISIT GLASSHARDWARE.COM

Date: 01/29/26

Sheet N°: 2/2