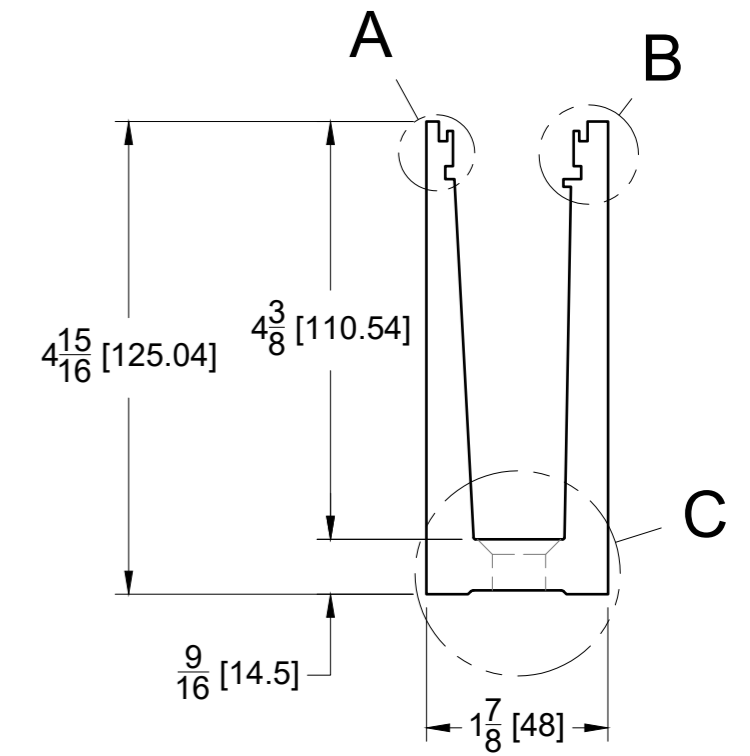
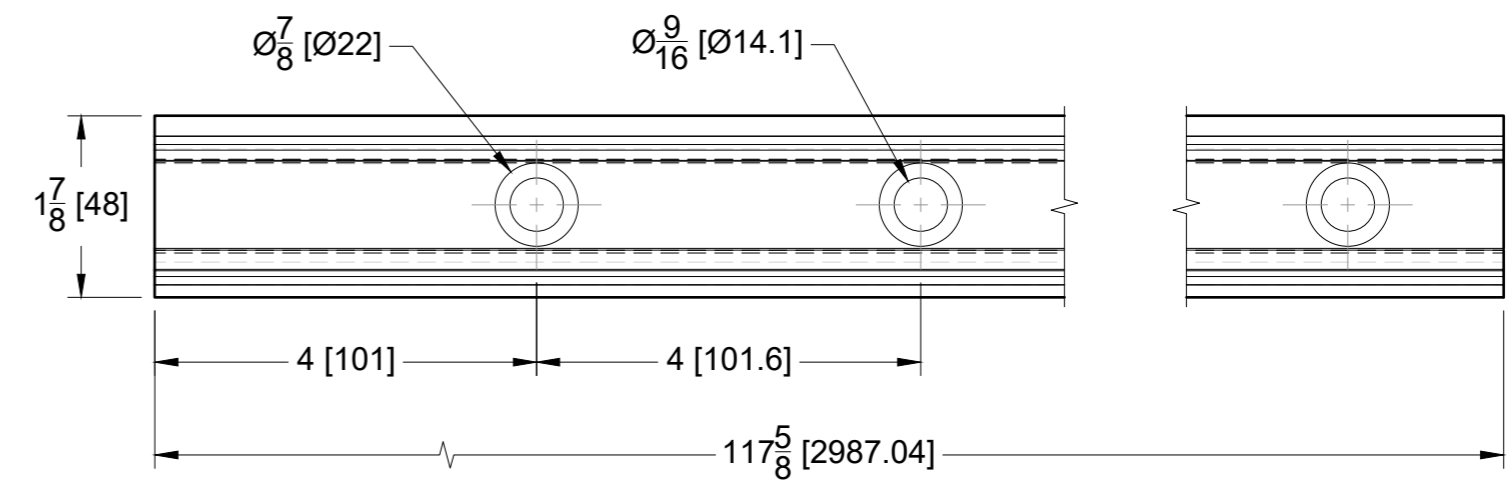


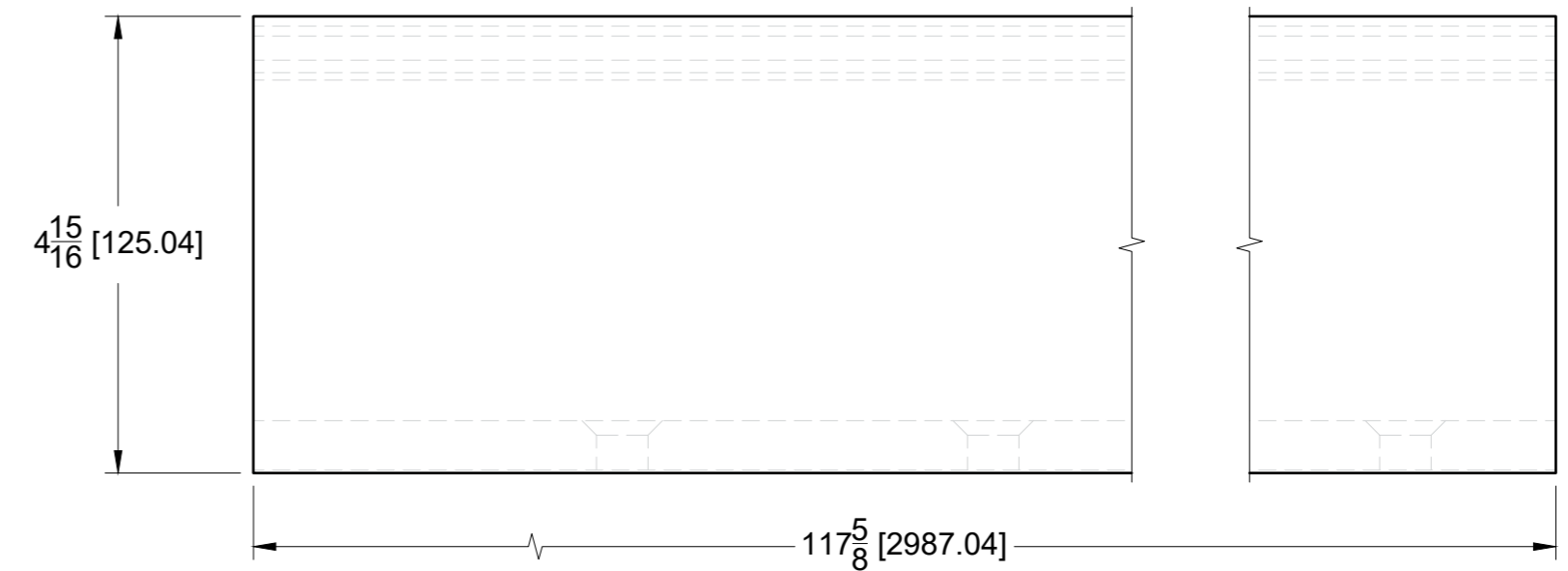
SIDE VIEW



TOP VIEW



FRONT VIEW



10101 NW 79th Ave
Hialeah Gardens, FL 33016
Phone: (877) 658-9008

Product: **9' 10" IGT Aluminum Base Shoe**

Code: R130

Material: Stainless Steel 316

Specifications:

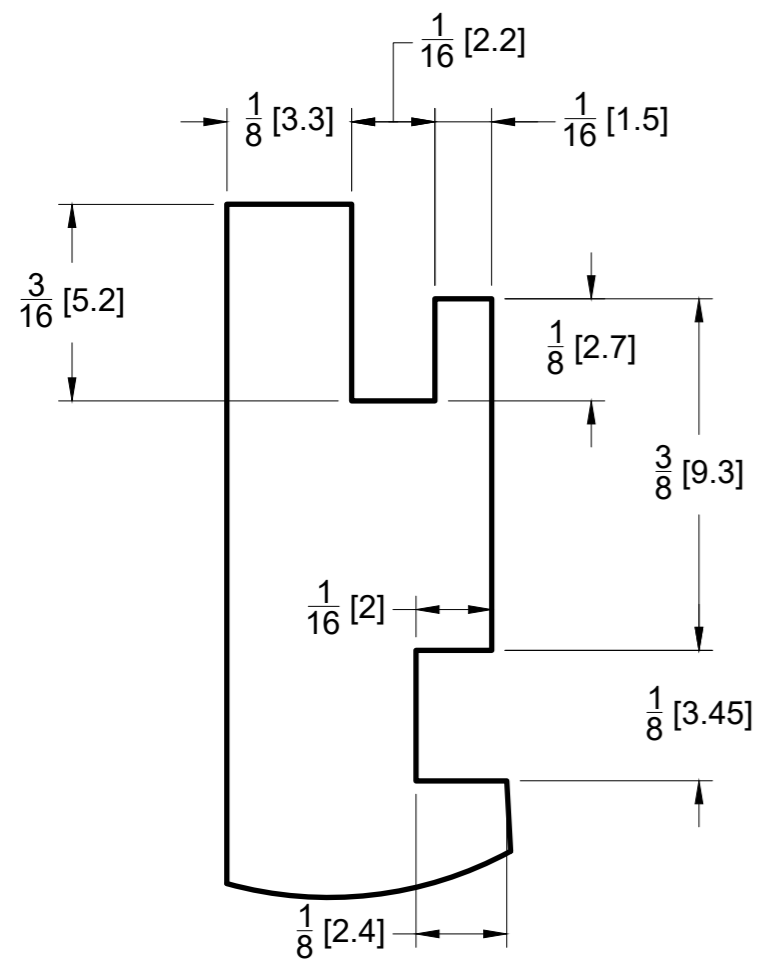
Glass thickness: 3/8" (10 mm) to 9/16" (14.3 mm).
Cutout required - Laminated glass only
Includes: Gaskets, screws and fabrication dimensions.

BEFORE PROCEEDING WITH FABRICATION, PLEASE ENSURE THAT YOU VERIFY ALL MEASUREMENTS. IT IS CRUCIAL TO DOUBLE-CHECK THE SPECIFICATIONS TO AVOID ANY DISCREPANCIES. FOR THE MOST UP-TO-DATE TECHNICAL SPECSHEETS AND CUTOUTS, KINDLY VISIT GLASSHARDWARE.COM.

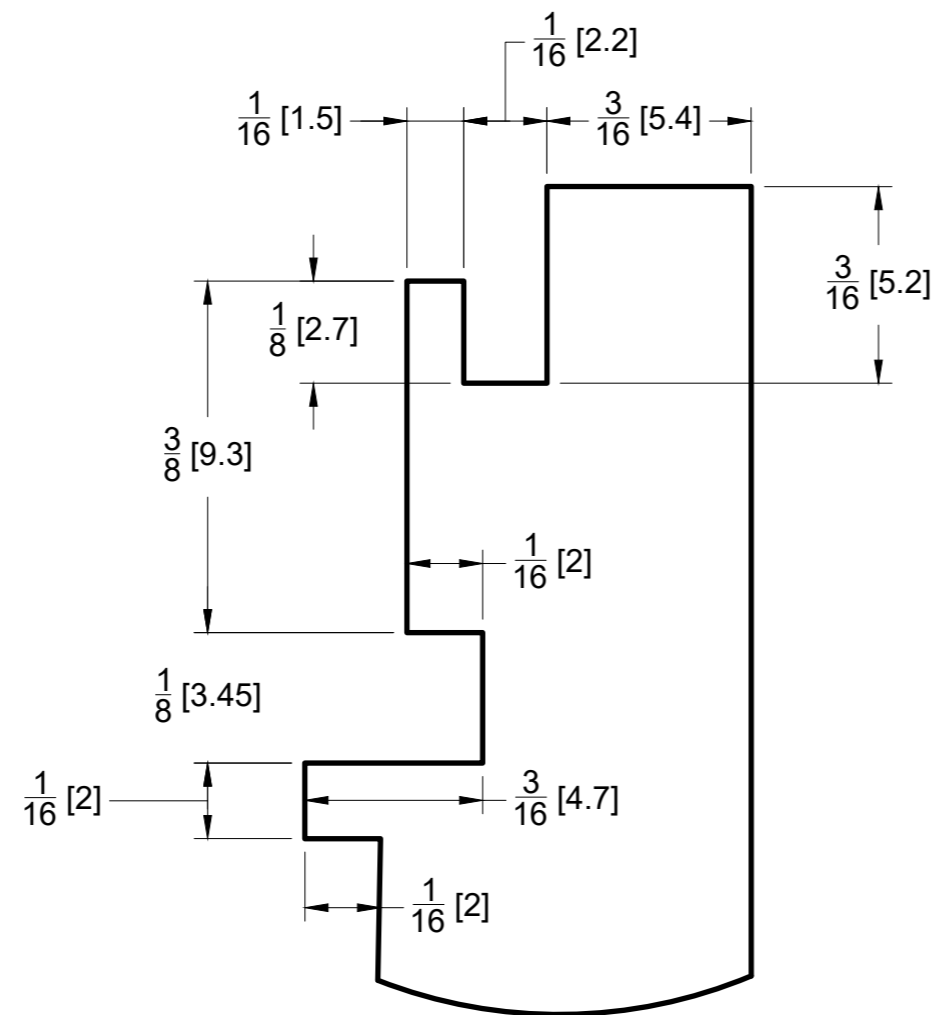
Date: 11/07/25

Sheet N°: 1/2

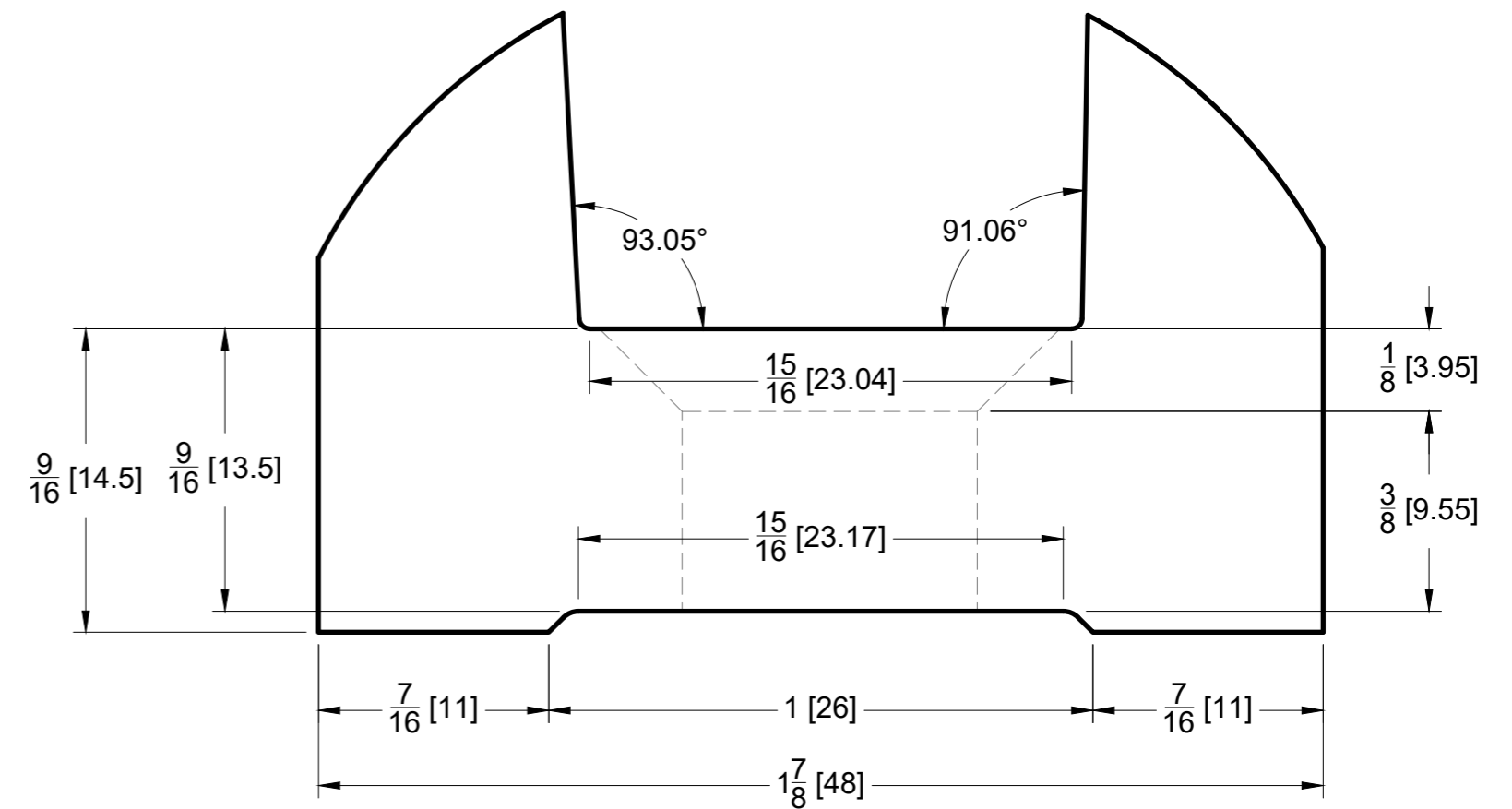
DETAIL A



DETAIL B



DETAIL C



10101 NW 79th Ave
Hialeah Gardens, FL 33016
Phone: (877) 658-9008

Product: **9' 10" IGT Aluminum Base Shoe**

Code: R130

Material: Stainless Steel 316

Specifications:

Glass thickness: 3/8" (10 mm) to 9/16" (14.3 mm).
Cutout required - Laminated glass only
Includes: Gaskets, screws and fabrication dimensions.

BEFORE PROCEEDING WITH FABRICATION, PLEASE ENSURE THAT YOU VERIFY ALL MEASUREMENTS. IT IS CRUCIAL TO DOUBLE-CHECK THE SPECIFICATIONS TO AVOID ANY DISCREPANCIES. FOR THE MOST UP-TO-DATE TECHNICAL SPECSHEETS AND CUTOUTS, KINDLY VISIT GLASSHARDWARE.COM.

Date: 11/07/25

Sheet N°: 2/2