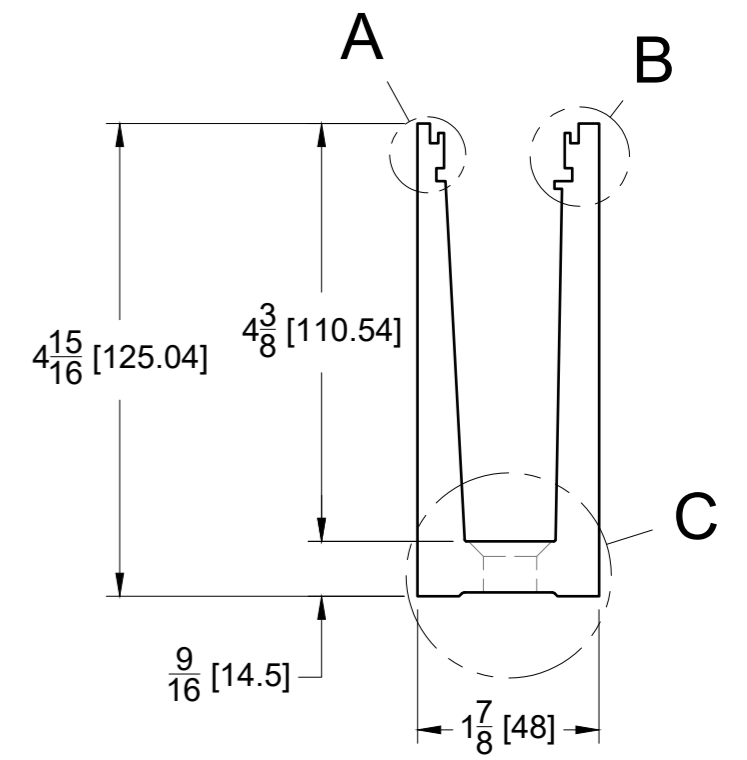
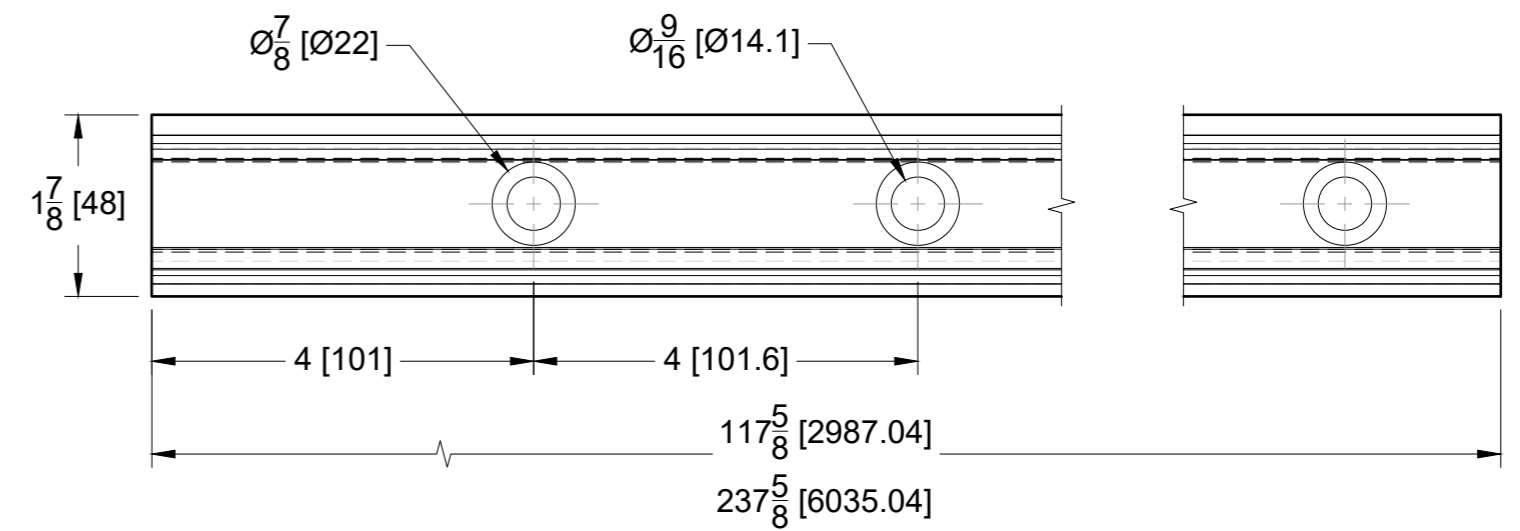


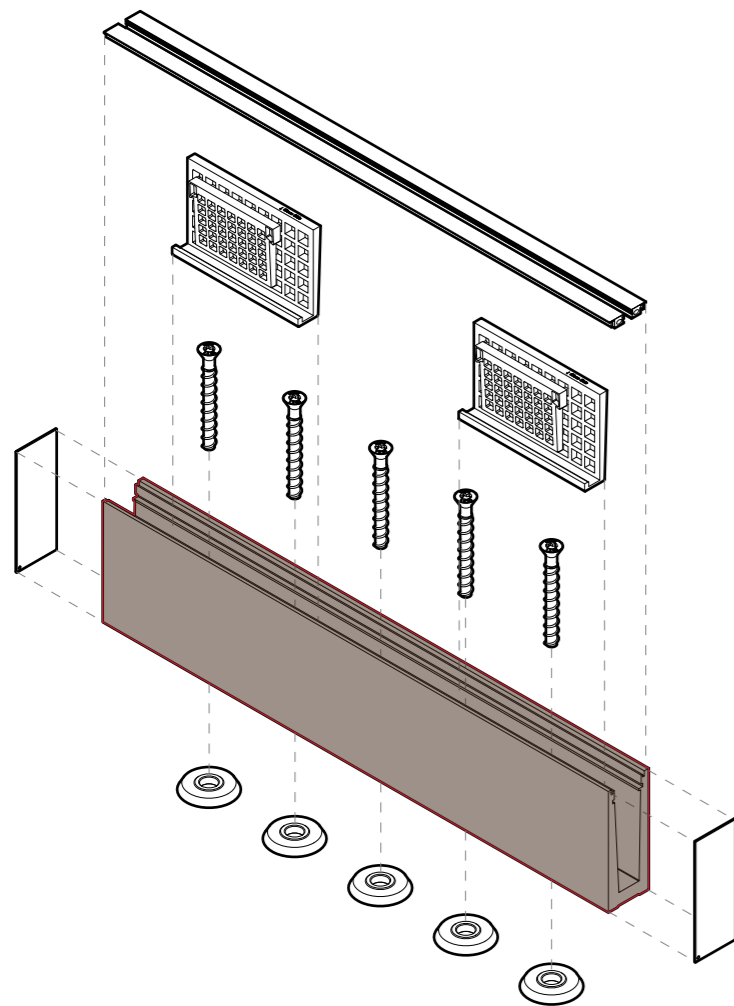
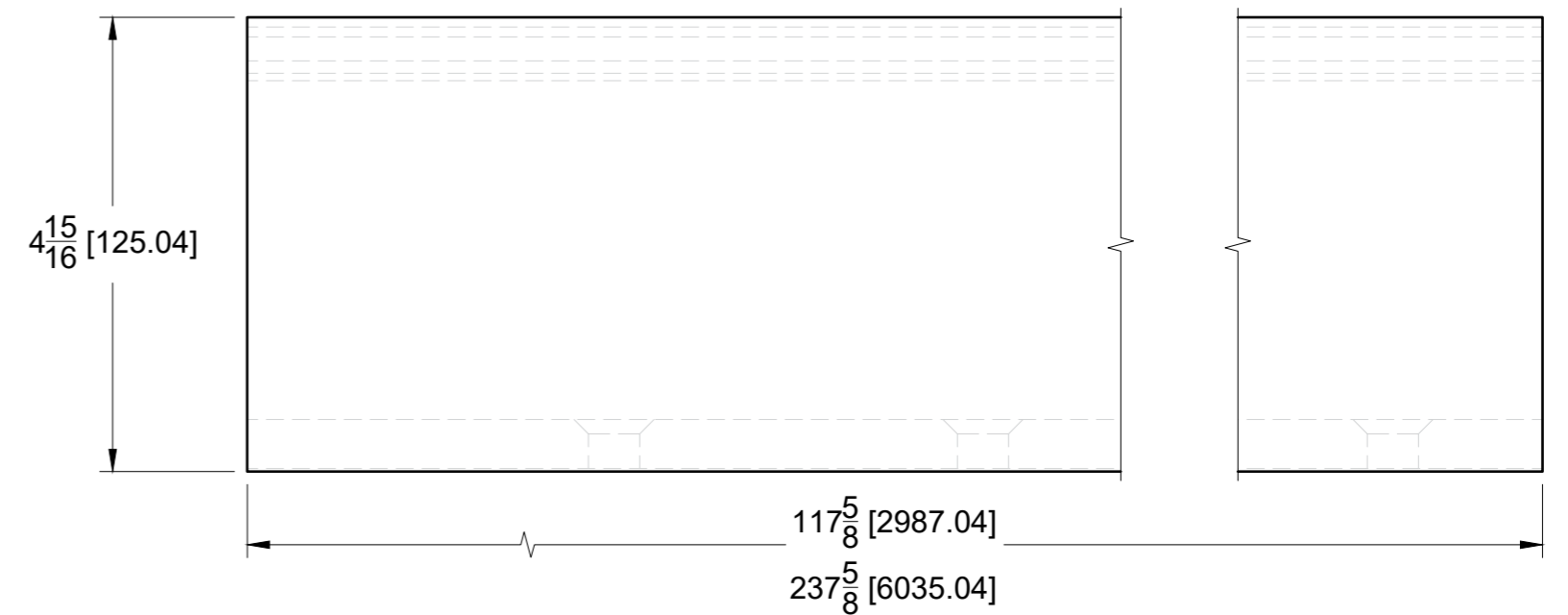
**SIDE VIEW**



**TOP VIEW**

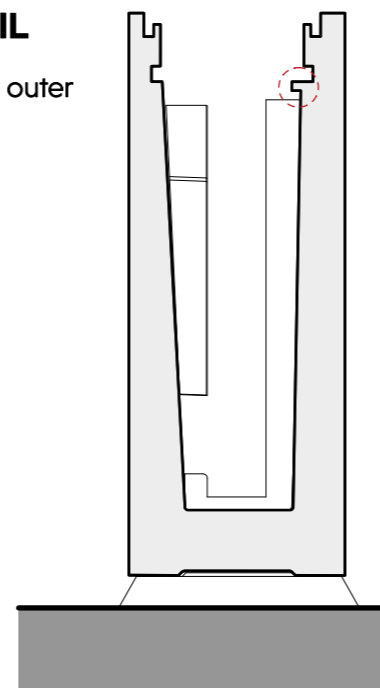


**FRONT VIEW**



**INSTALLATION DETAIL**

\* The safety lip must face the outer edge of the installation.



10101 NW 79th Ave  
 Hialeah Gardens, FL 33016  
 Phone: (877) 658-9008

Product: **IGT Aluminum Base Shoe**

Code: R130/R135

Material: Aluminum

**Specifications:**

Glass thickness: 1/2" (12.7 mm) 9/16" (14.3 mm) and 3/4" (19.05 mm).

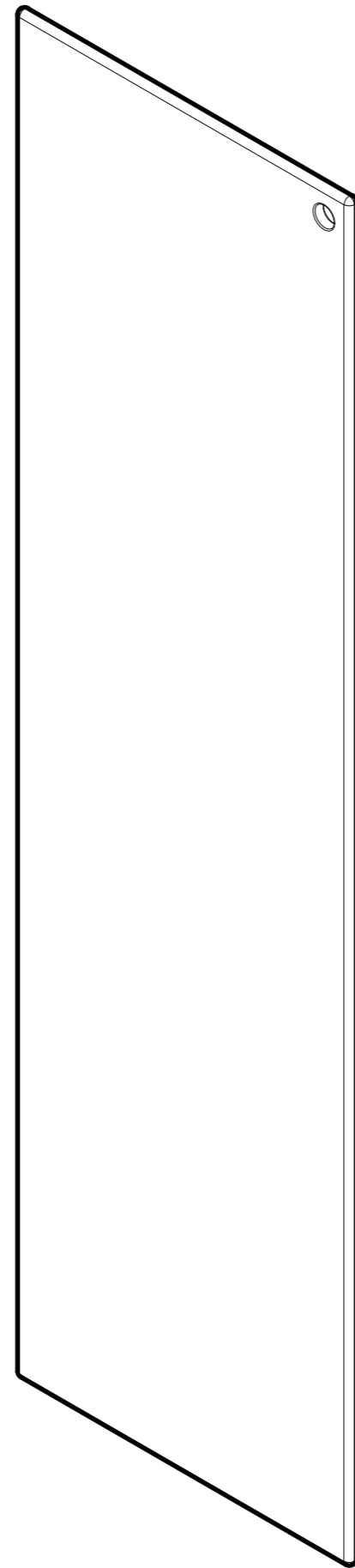
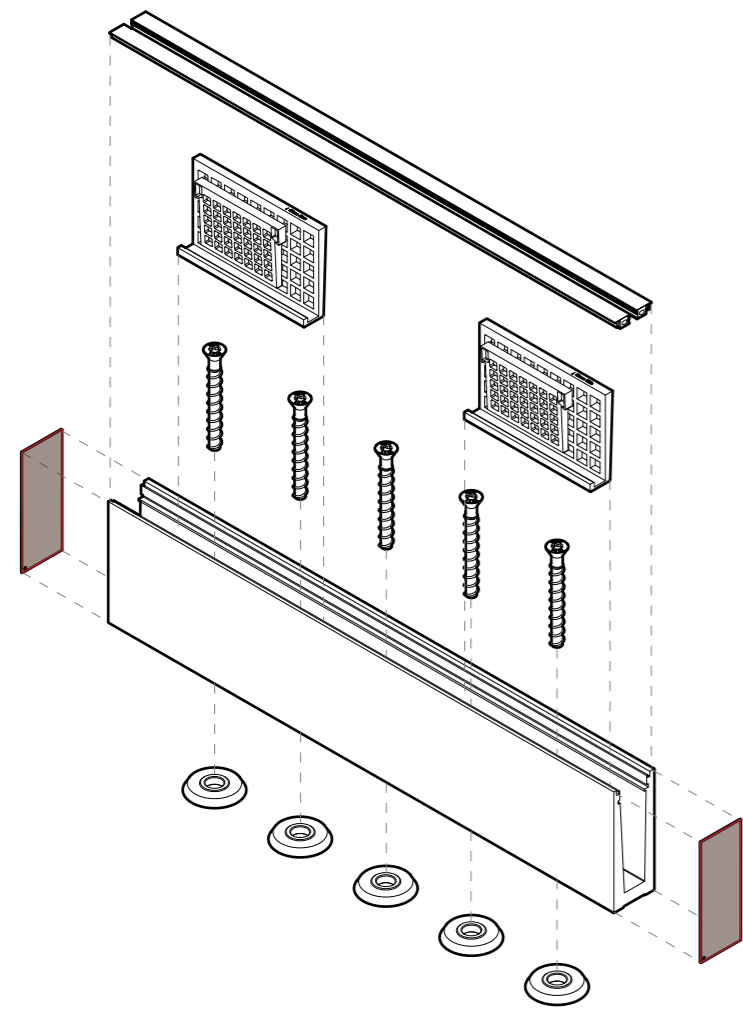
Includes: One IGT Aluminum Base Shoe.

BEFORE PROCEEDING WITH FABRICATION, PLEASE ENSURE THAT YOU VERIFY ALL MEASUREMENTS. IT IS CRUCIAL TO DOUBLE-CHECK THE SPECIFICATIONS TO AVOID ANY DISCREPANCIES. FOR THE MOST UP-TO-DATE TECHNICAL SPECSHEETS AND CUTOUTS, KINDLY VISIT [GLASSHARDWARE.COM](http://GLASSHARDWARE.COM)

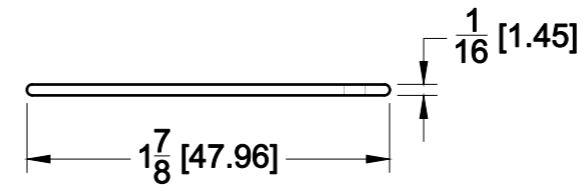
Date: 02/04/26

Sheet N°: 1/8

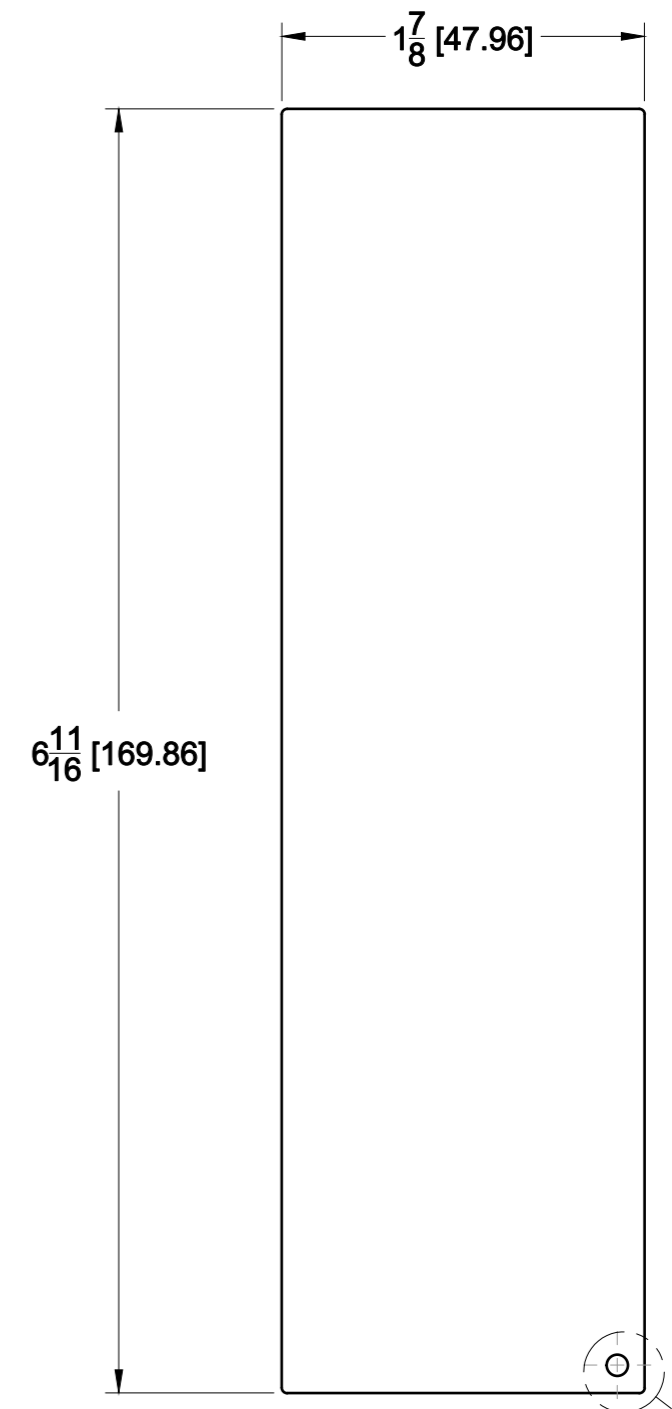




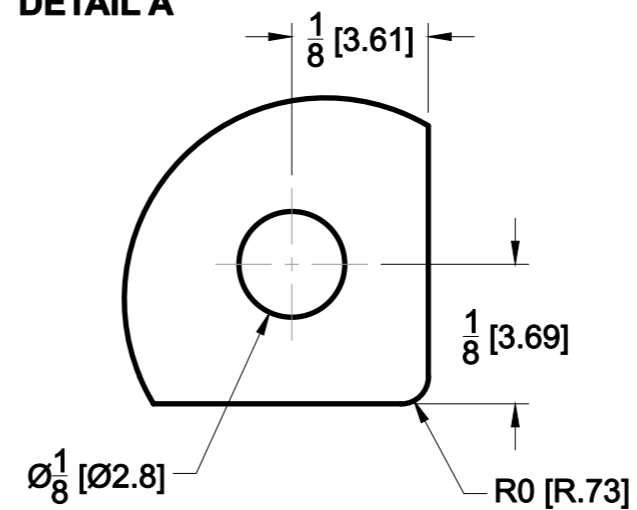
TOP VIEW



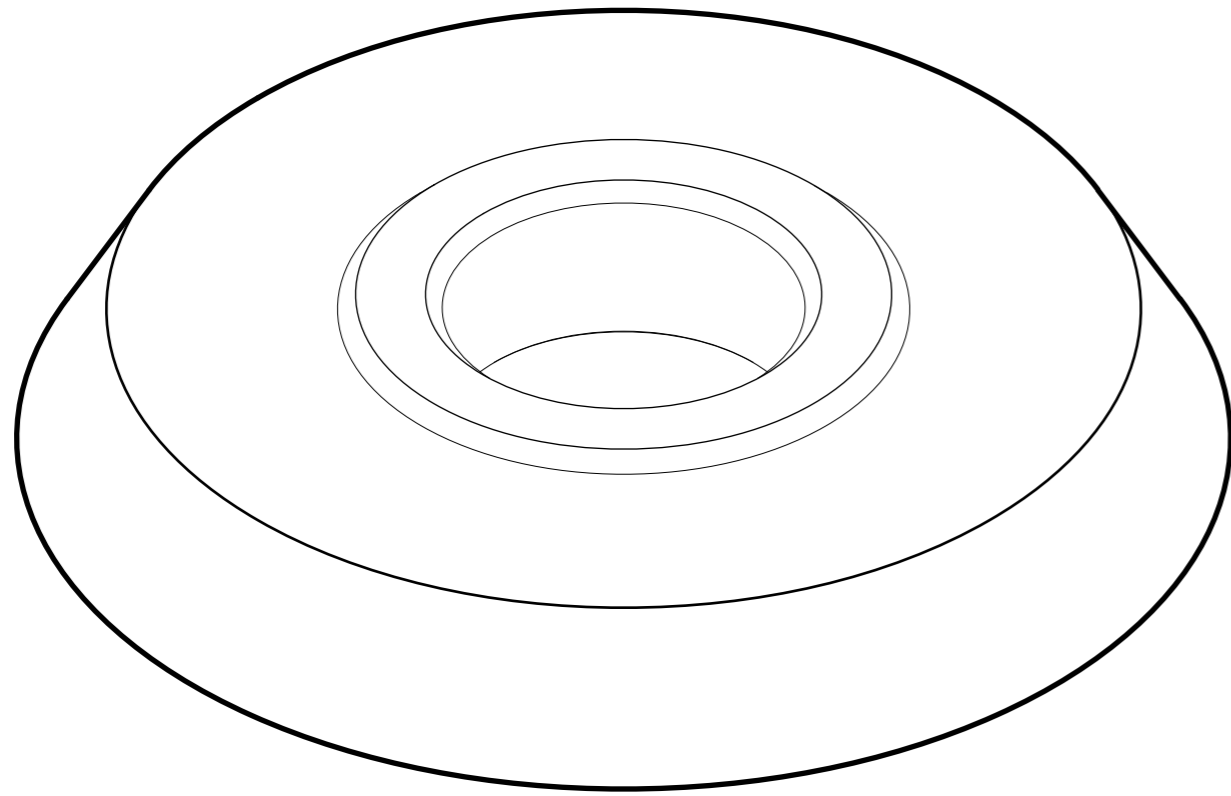
FRONT VIEW



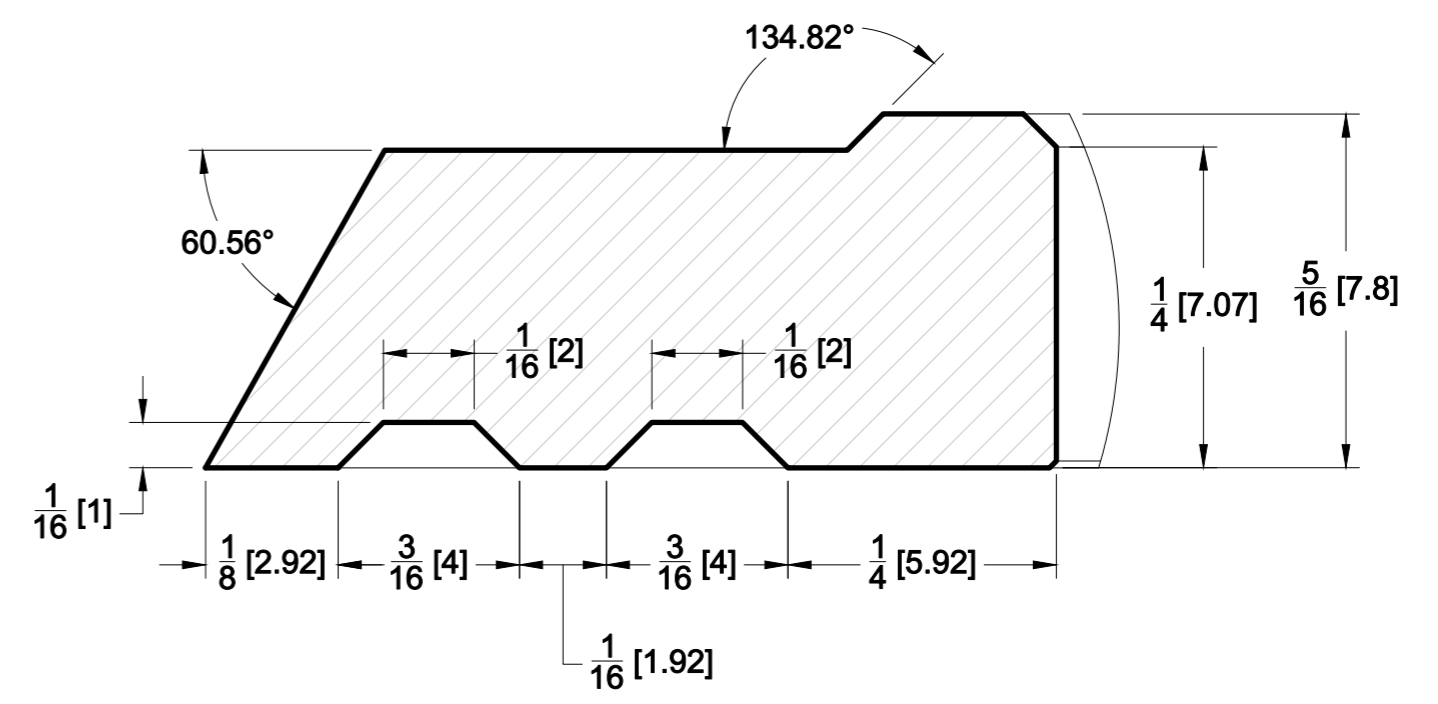
DETAIL A



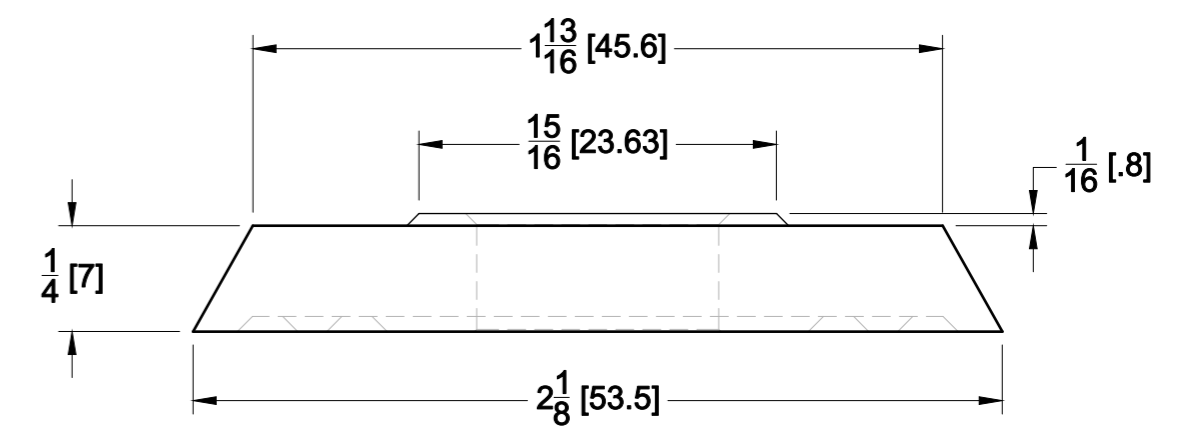
\*This cap must be cut on the side with the perforation in order to adjust the height.



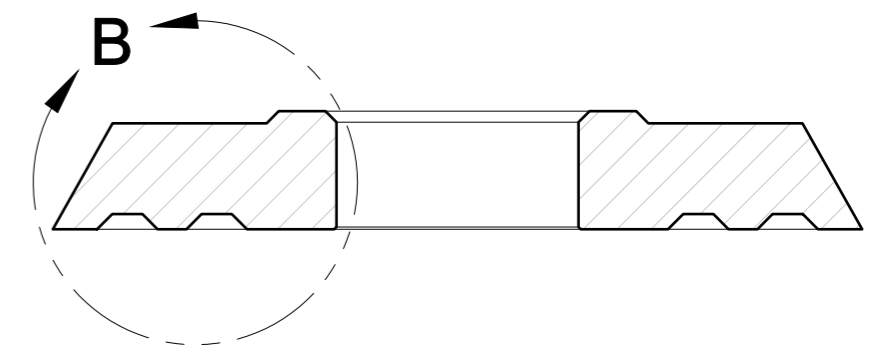
**DETAIL B**



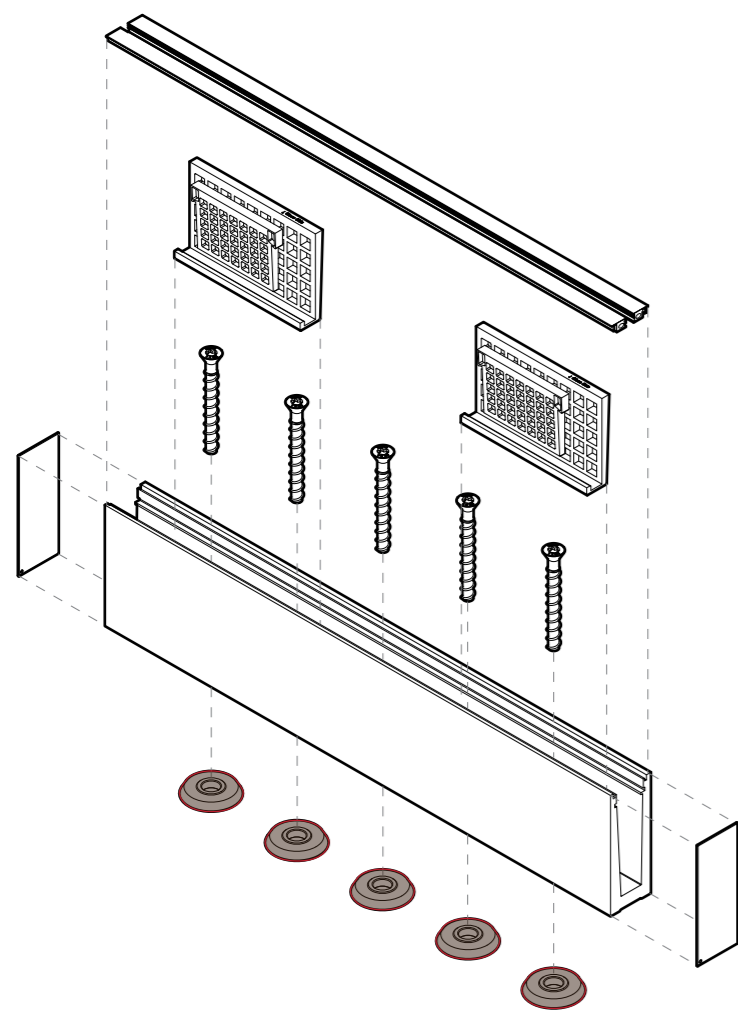
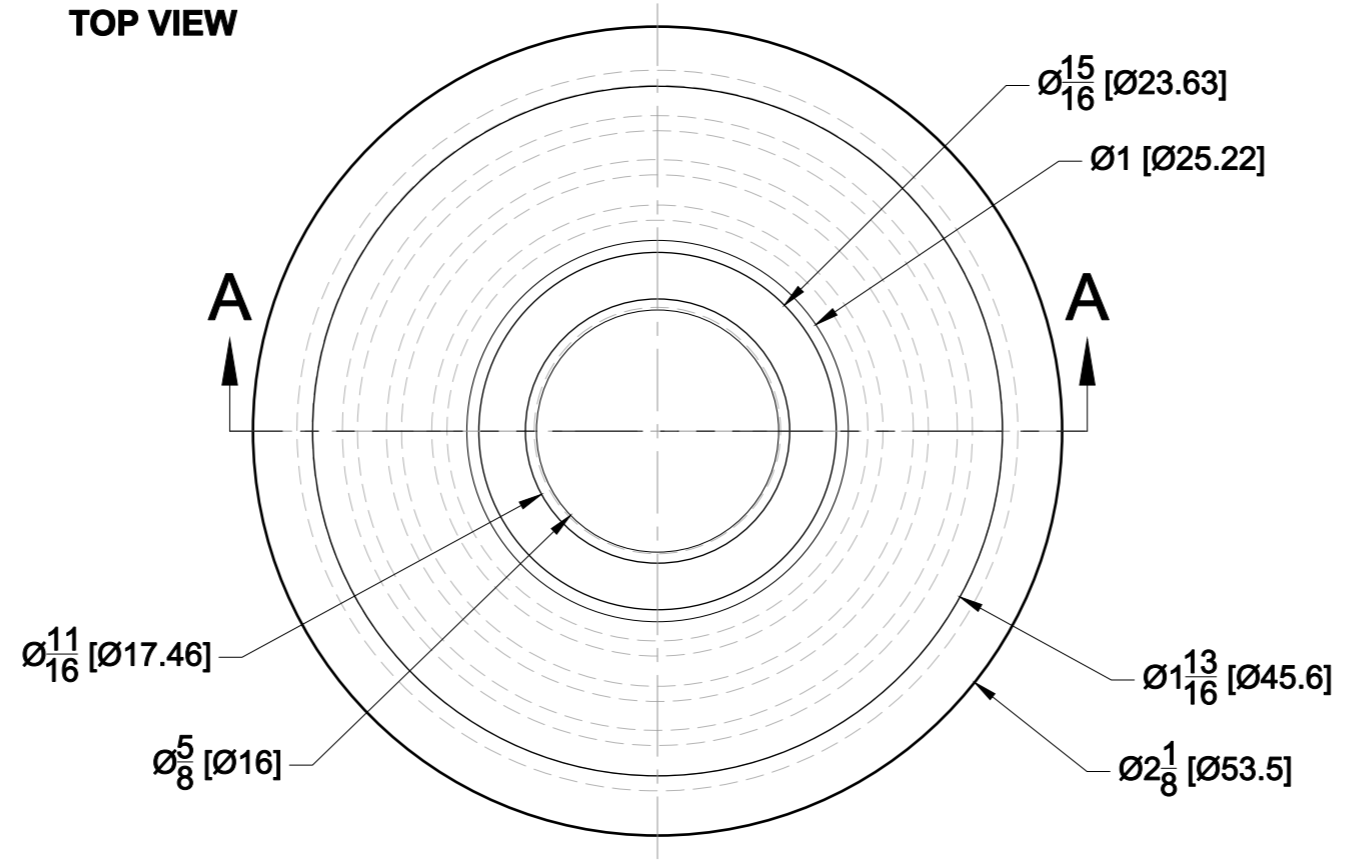
**FRONT VIEW**



**SECTION A**



**TOP VIEW**

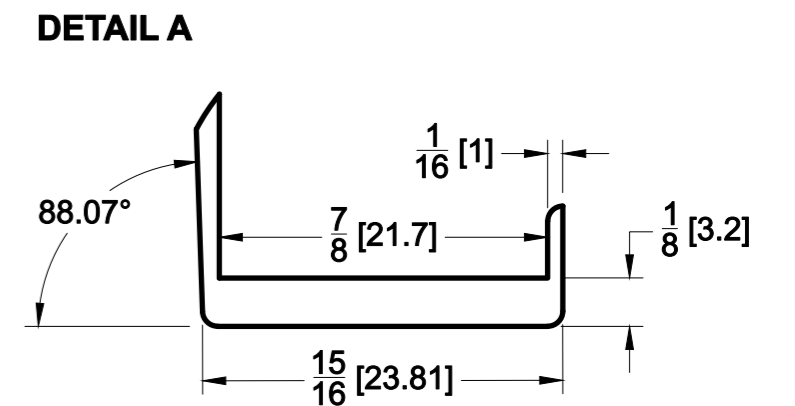
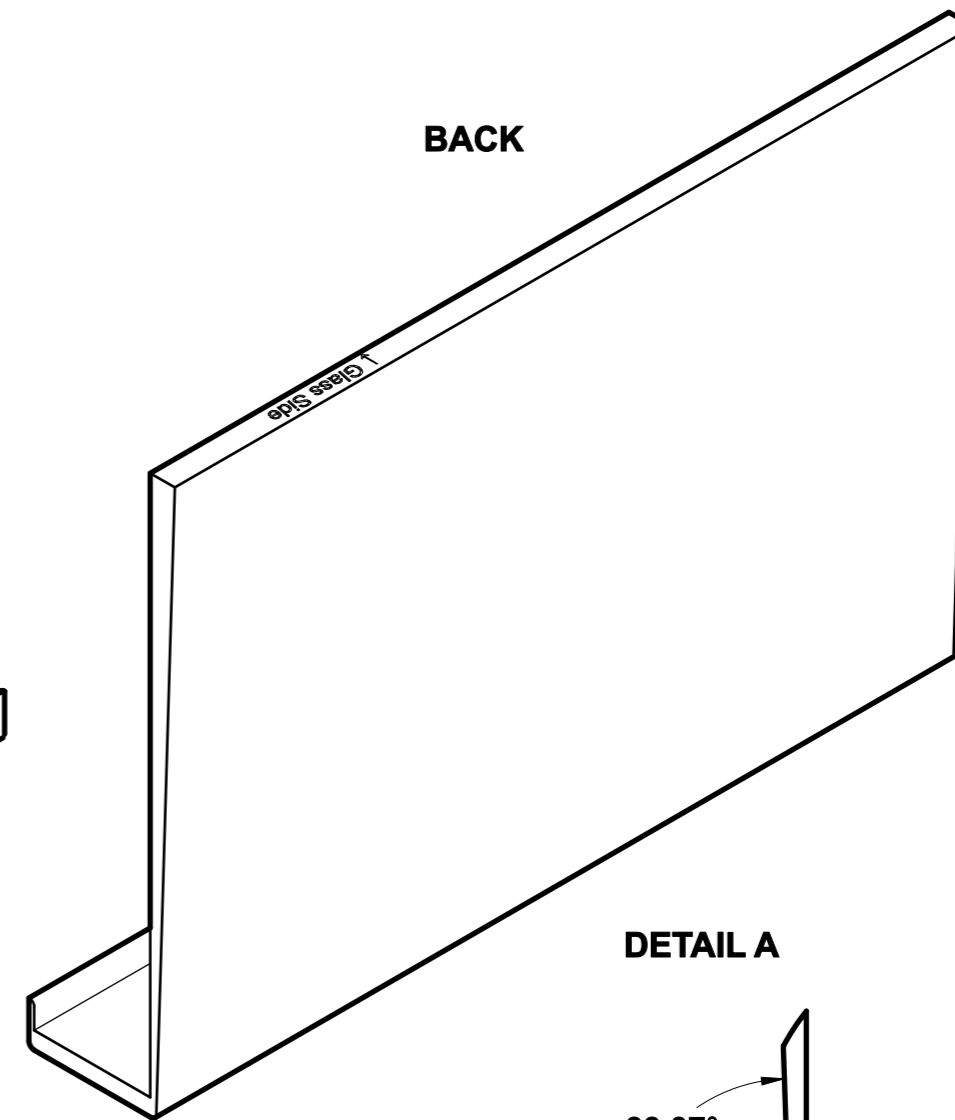
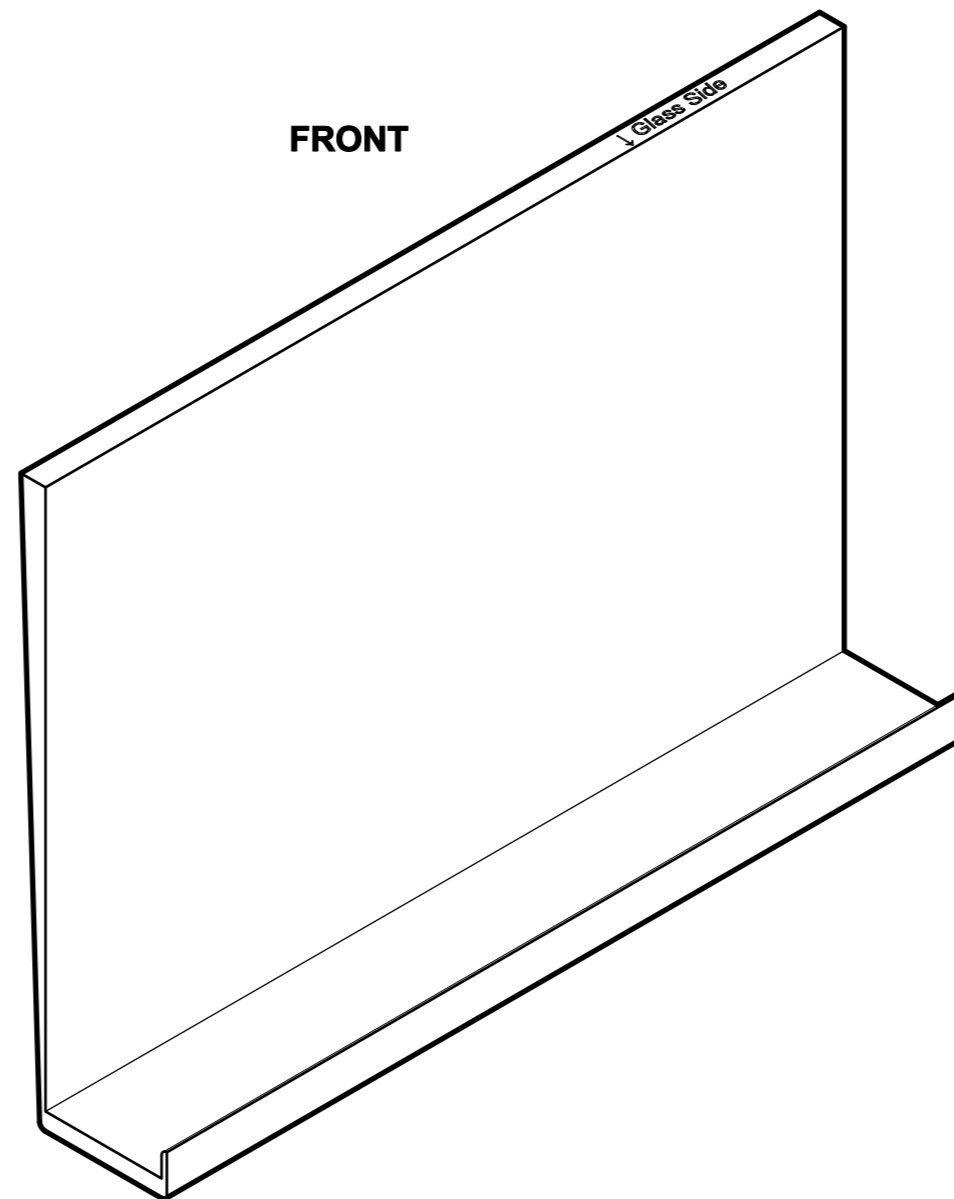
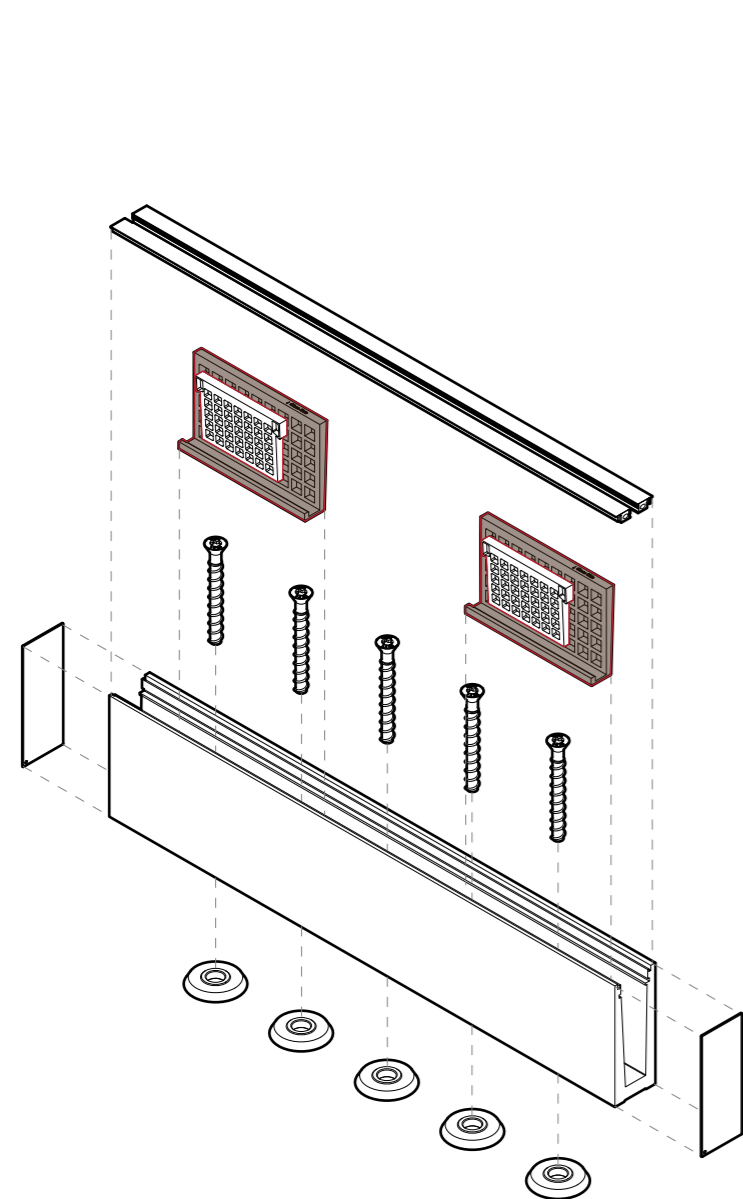


10101 NW 79th Ave  
Hialeah Gardens, FL 33016  
Phone: (877) 658-9008

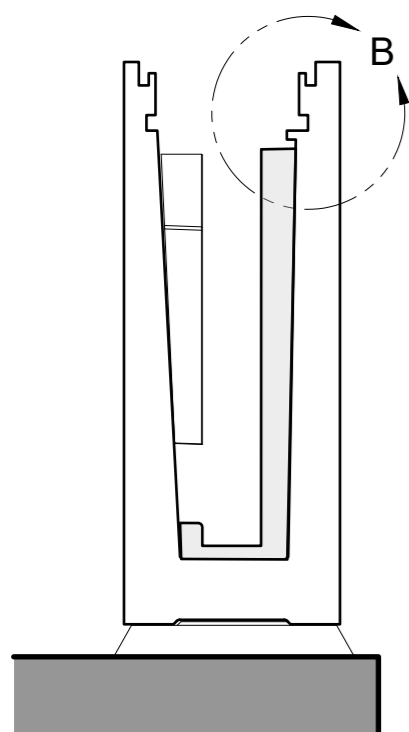
Product: <b>Drainage Spacer for IGT Aluminum Base Shoe</b>	
Code: R351	Material: Aluminum

Specifications: See details above.
Includes: One Drainage Spacer.

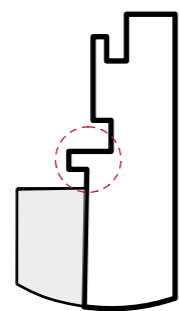
BEFORE PROCEEDING WITH FABRICATION, PLEASE ENSURE THAT YOU VERIFY ALL MEASUREMENTS. IT IS CRUCIAL TO DOUBLE-CHECK THE SPECIFICATIONS TO AVOID ANY DISCREPANCIES. FOR THE MOST UP-TO-DATE TECHNICAL SPECSHEETS AND CUTOUTS, KINDLY VISIT <a href="http://GLASSHARDWARE.COM">GLASSHARDWARE.COM</a>	
Date: 02/04/26	Sheet N°: 4/8



**INSTALLATION DETAIL**

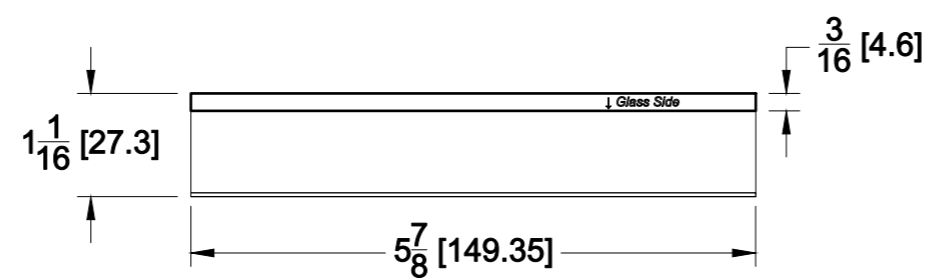


**DETAIL B**

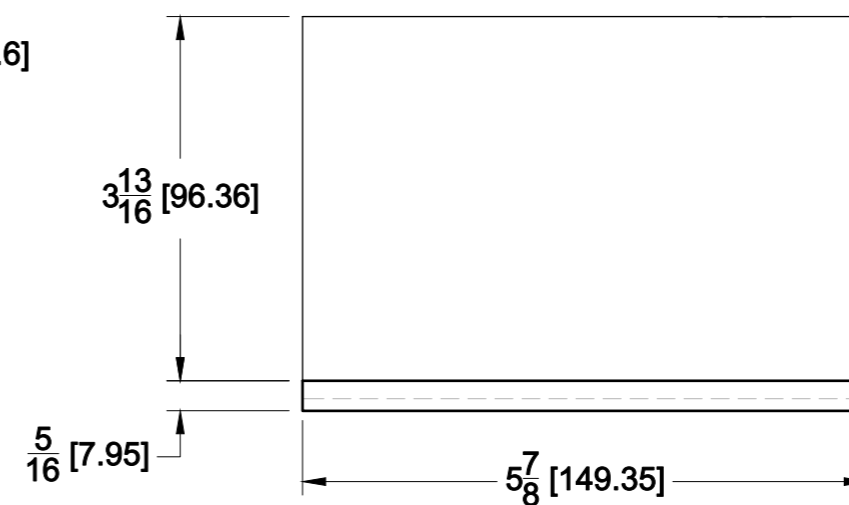


\* Position the "J" gasket on the safety lip side. The safety lip must face the outer edge of the installation.

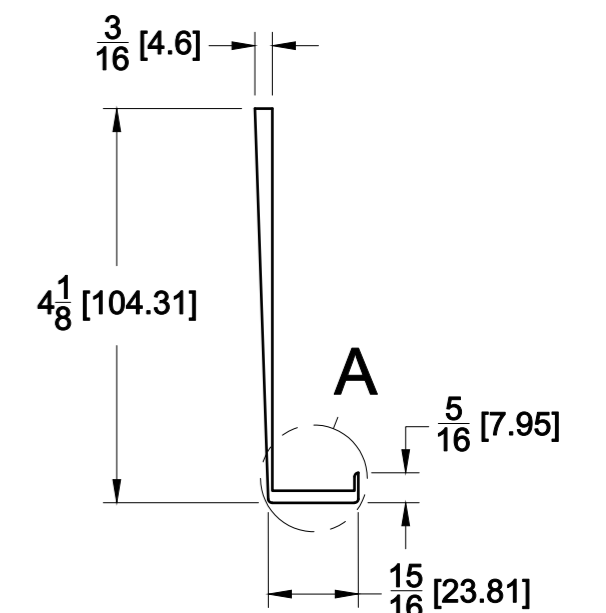
**TOP VIEW**



**FRONT VIEW**



**SIDE VIEW**



\* Glass mounting kits vary depending on the glass thickness.

\* Each kit includes four J-Wedge mechanisms.

\* This page refers to product R6600.



10101 NW 79th Ave  
Hialeah Gardens, FL 33016  
Phone: (877) 658-9008

Product: **Glass Mounting Kit for IGT Aluminum Base Shoe**

Code: R4600/R6600/R7600 Material: PVC

**Specifications:**

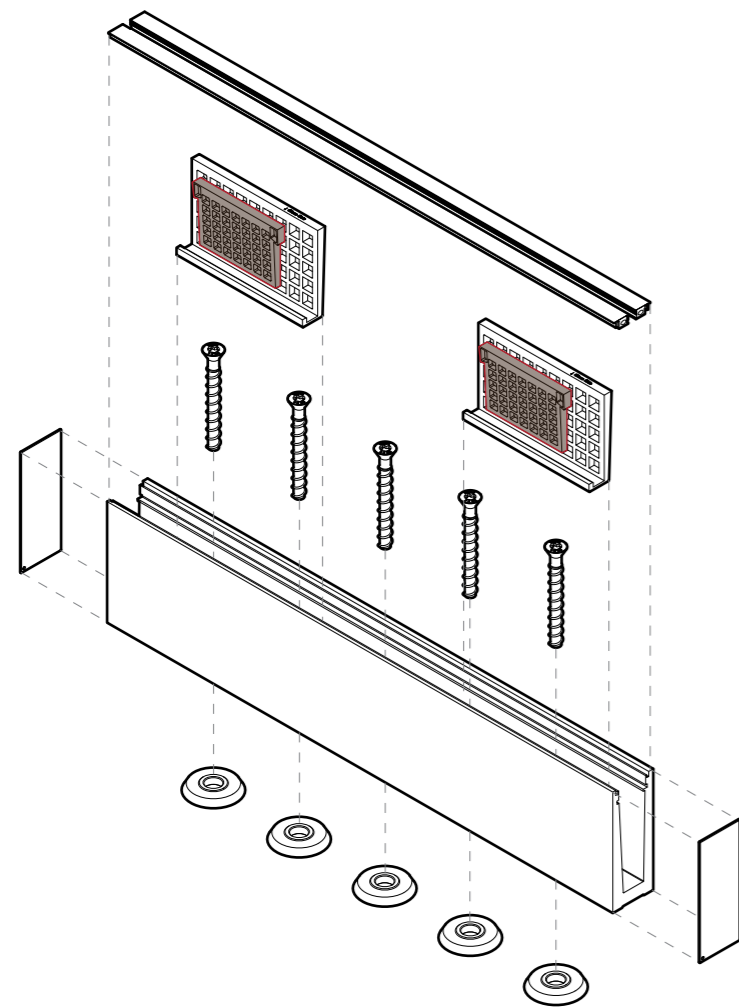
Glass thickness: 1/2" (12.7 mm) - 3/4" (19.05 mm) - 9/16" (14.29 mm).

Includes: One Mounting Kit for IGT Aluminum Base Shoe (4 mechanisms).

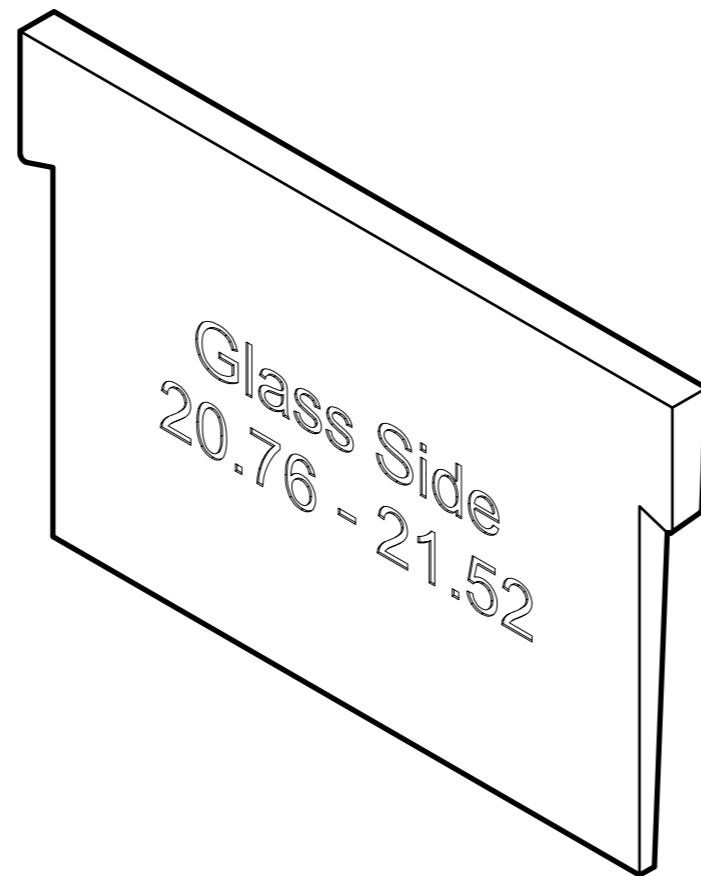
BEFORE PROCEEDING WITH FABRICATION, PLEASE ENSURE THAT YOU VERIFY ALL MEASUREMENTS. IT IS CRUCIAL TO DOUBLE-CHECK THE SPECIFICATIONS TO AVOID ANY DISCREPANCIES. FOR THE MOST UP-TO-DATE TECHNICAL SPECSHEETS AND CUTOUTS, KINDLY VISIT [GLASSHARDWARE.COM](http://GLASSHARDWARE.COM)

Date: 02/04/26

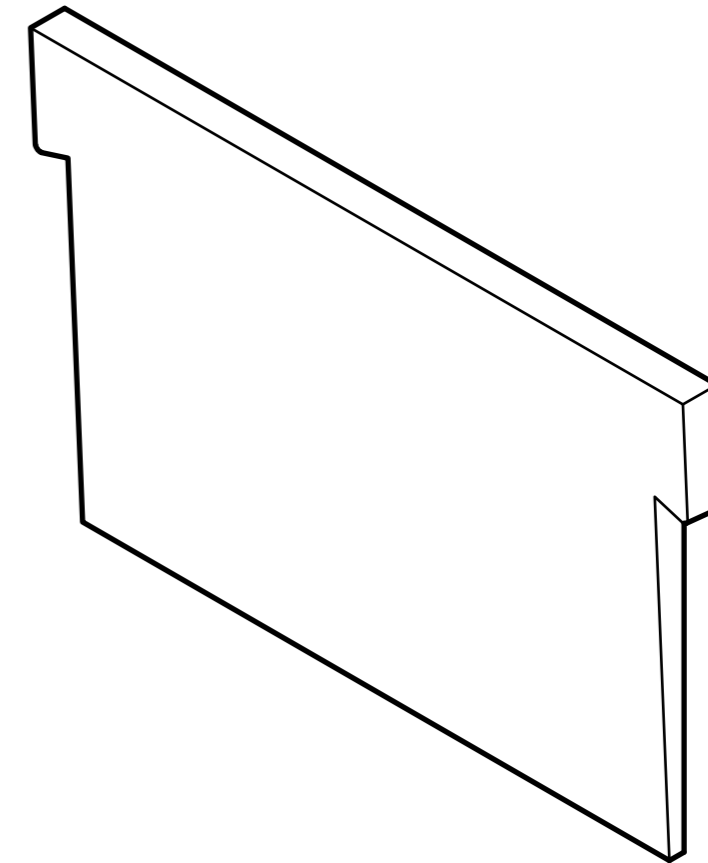
Sheet N°: 5/8



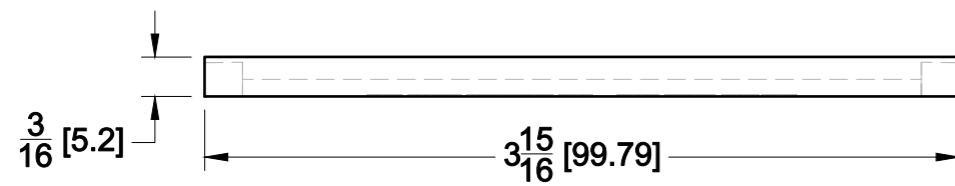
FRONT



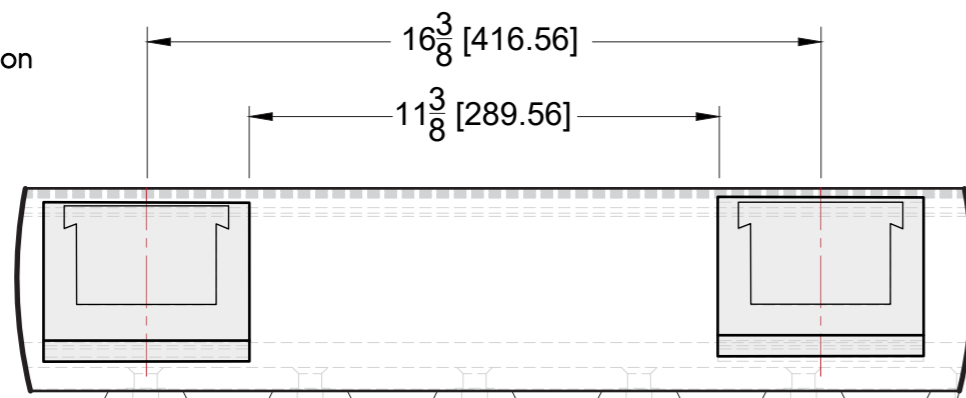
BACK



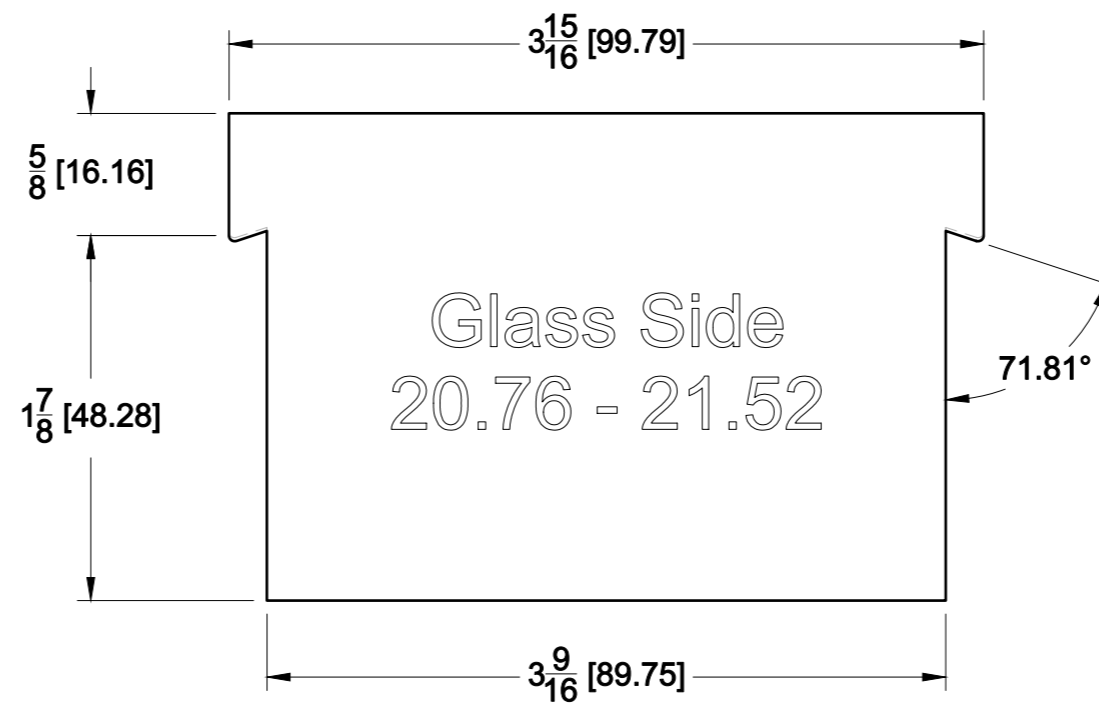
TOP VIEW



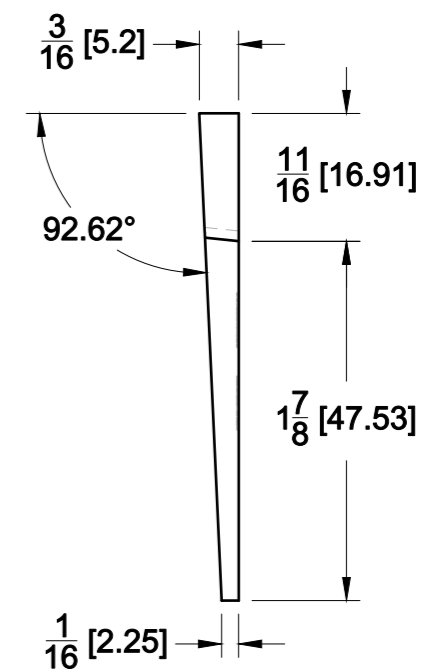
\* Maximum installation distance between mounting kits.



FRONT VIEW



SIDE VIEW



\* Glass mounting kits vary depending on the glass thickness.

\* Each kit includes four J-Wedge mechanisms.

\* This page refers to product R6600.



10101 NW 79th Ave  
Hialeah Gardens, FL 33016  
Phone: (877) 658-9008

Product: **Glass Mounting Kit for IGT Aluminum Base Shoe**

Code: R4600/R6600/R7600 Material: PVC

**Specifications:**

Glass thickness: 1/2" (12.7 mm) - 3/4" (19.05 mm) - 9/16" (14.29 mm).

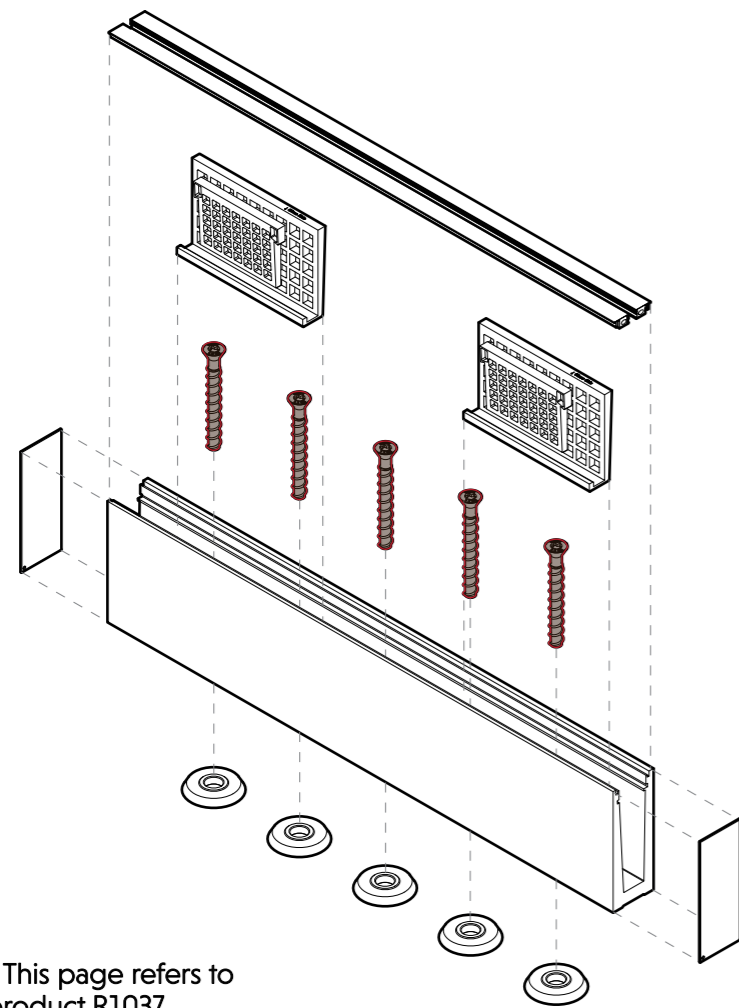
Includes: One Mounting Kit for IGT Aluminum Base Shoe (4 mechanisms).

BEFORE PROCEEDING WITH FABRICATION, PLEASE ENSURE THAT YOU VERIFY ALL MEASUREMENTS. IT IS CRUCIAL TO DOUBLE-CHECK THE SPECIFICATIONS TO AVOID ANY DISCREPANCIES. FOR THE MOST UP-TO-DATE TECHNICAL SPECSHEETS AND CUTOUTS, KINDLY VISIT [GLASSHARDWARE.COM](http://GLASSHARDWARE.COM)

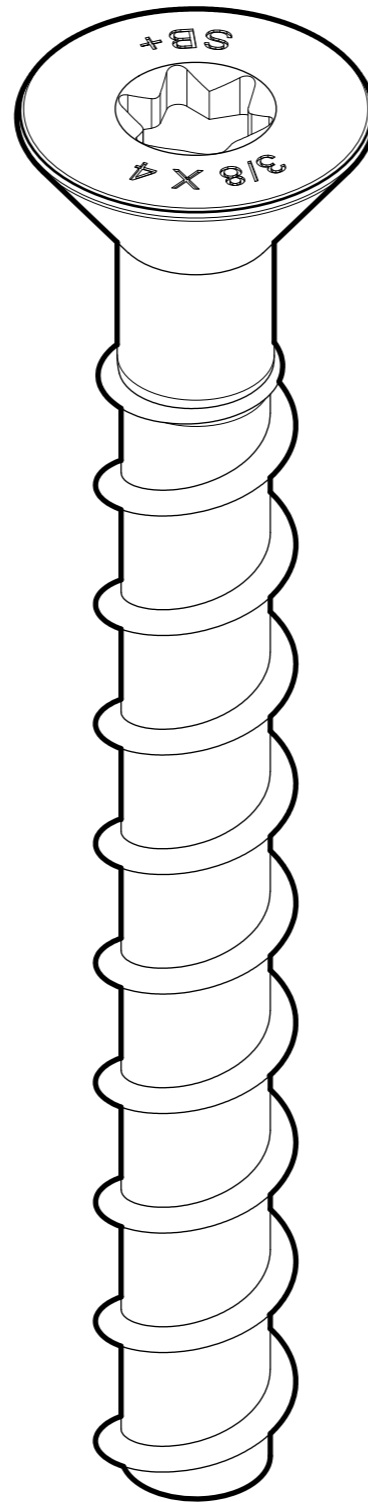
Date: 02/04/26

Sheet N°: 6/8

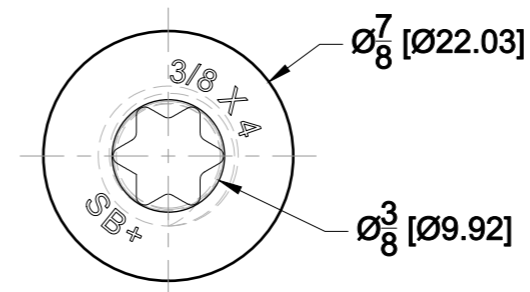




\* This page refers to product R1037.



TOP VIEW



FRONT VIEW

