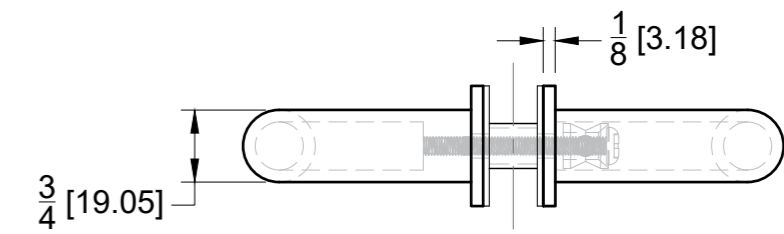
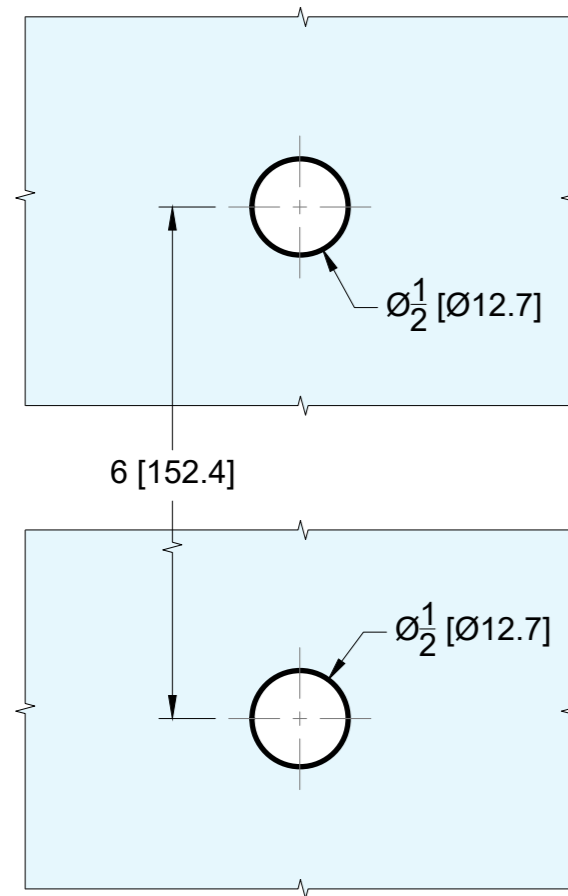


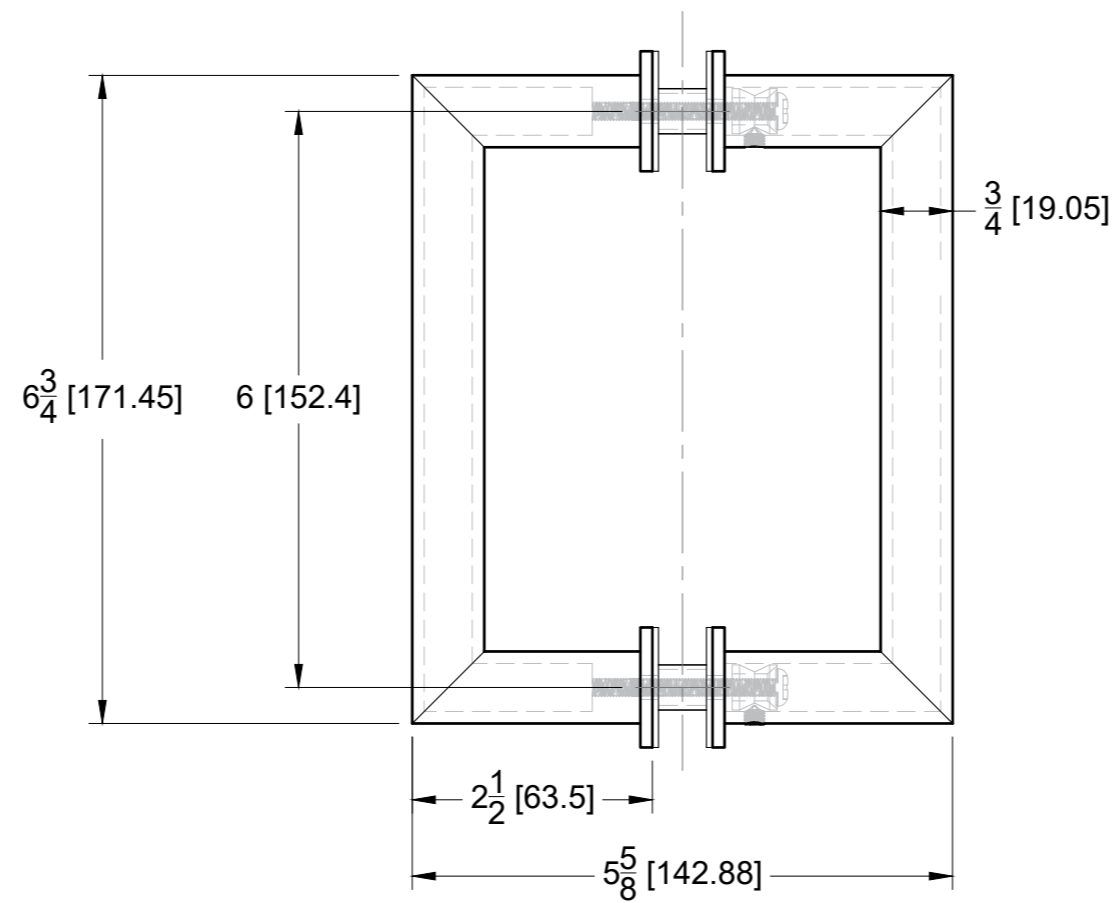
TOP VIEW



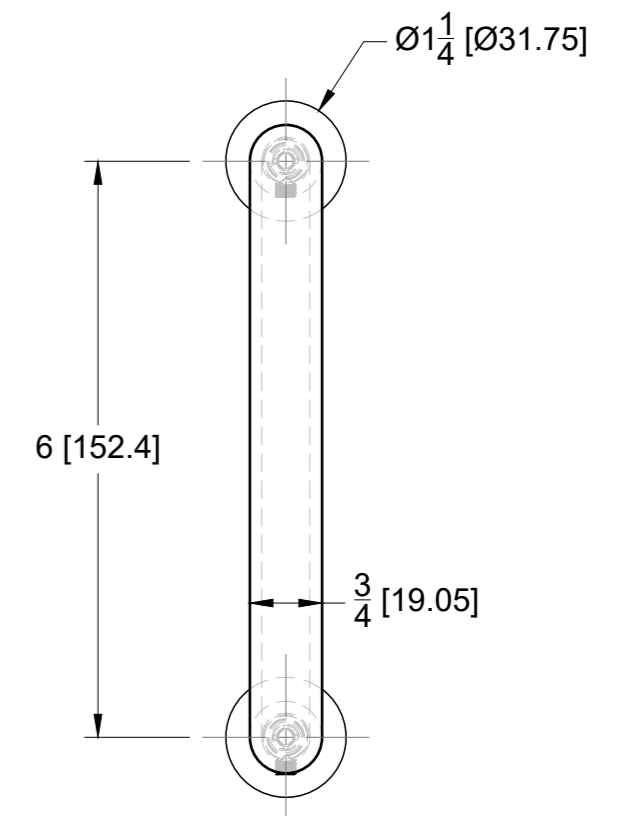
GLASS CUT OUT



FRONT VIEW



SIDE VIEW



10101 NW 79th Ave  
Hialeah Gardens, FL 33016  
Phone: (877) 658-9008

Product: **6" Mitered Corner Pull Handle**

Code: MC606

Material: 304 Stainless Steel

**Specifications:**

**Glass thickness:** 3/8" (10 mm) to 1/2" (12 mm).  
Cutout required - Tempered glass only  
**Includes:** Gaskets for installation.

BEFORE PROCEEDING WITH FABRICATION, PLEASE ENSURE THAT YOU VERIFY ALL MEASUREMENTS. IT IS CRUCIAL TO DOUBLE-CHECK THE SPECIFICATIONS TO AVOID ANY DISCREPANCIES. FOR THE MOST UP-TO-DATE TECHNICAL SPECSHEETS AND CUTOUTS, KINDLY VISIT [GLASSHARDWARE.COM](http://GLASSHARDWARE.COM).

Date: 01/15/25