

10101 NW 79th Ave
 Hialeah Gardens, FL 33016
 Phone: (877) 658-9008
 Fax: (888) 280-2285

Product: **16" Round Adjustable Ladder Handle**
 Code: AH16
 Material: 304 Stainless Steel

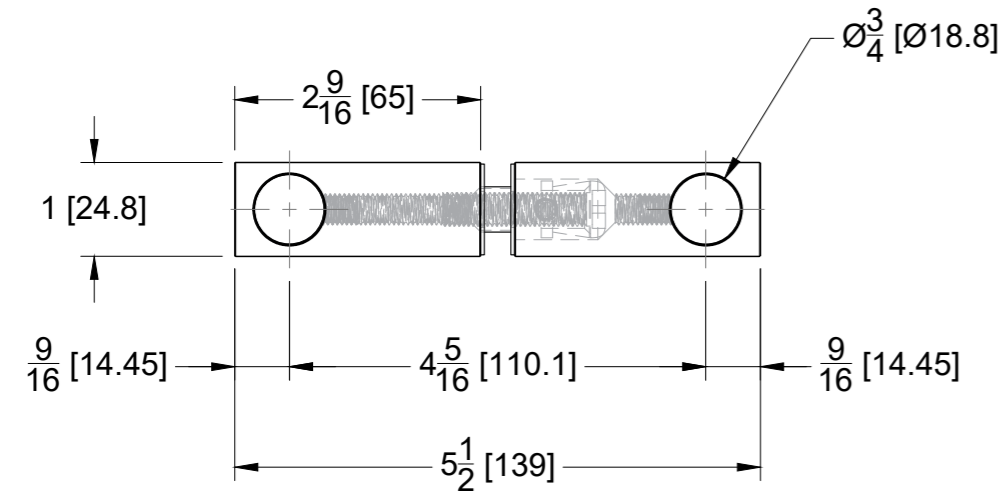
Specifications:
 Glass thickness: 3/8" (10 mm) to 1/2" (12 mm).
 Cutout required - Tempered glass only
 Includes: Allen key and assembly hardware.

BEFORE PROCEEDING WITH FABRICATION, PLEASE ENSURE THAT YOU VERIFY ALL MEASUREMENTS. IT IS CRUCIAL TO DOUBLE-CHECK THE SPECIFICATIONS TO AVOID ANY DISCREPANCIES. FOR THE MOST UP-TO-DATE TECHNICAL SPECSHEETS AND CUTOUTS, KINDLY VISIT GLASSHARDWARE.COM.

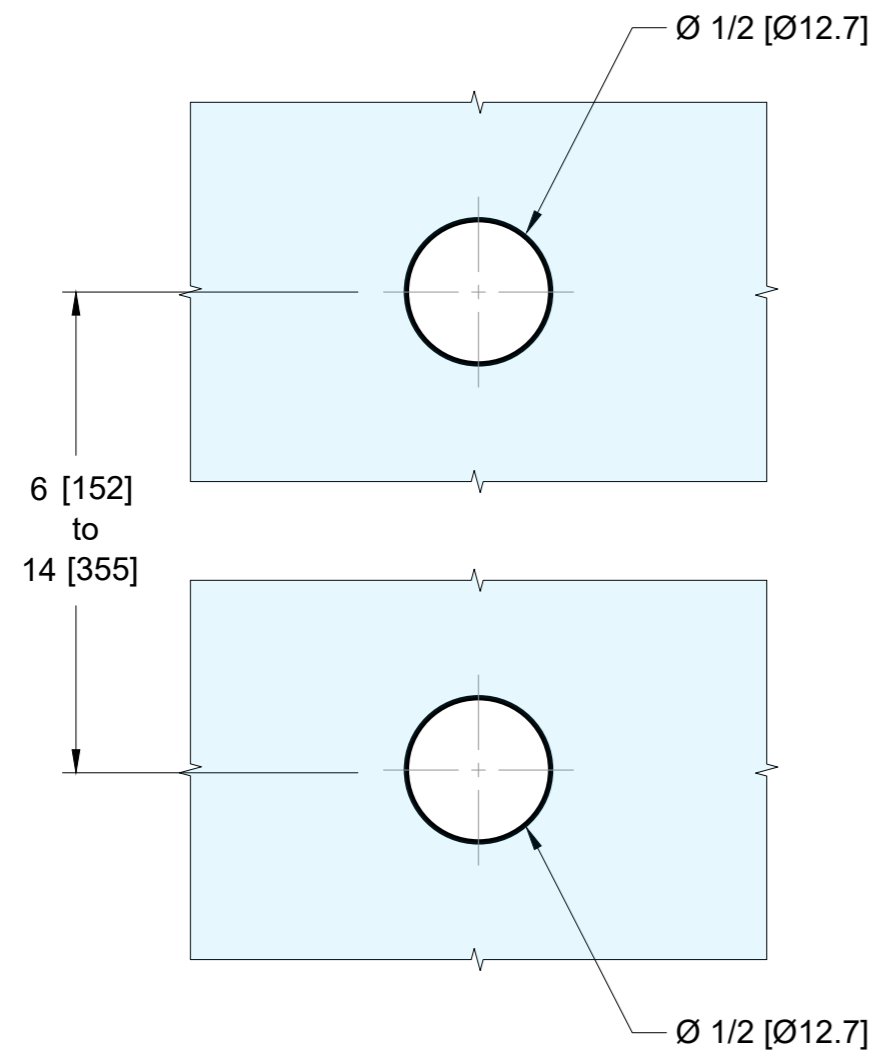
Date: 11/26/24

Sheet N°: 1/2

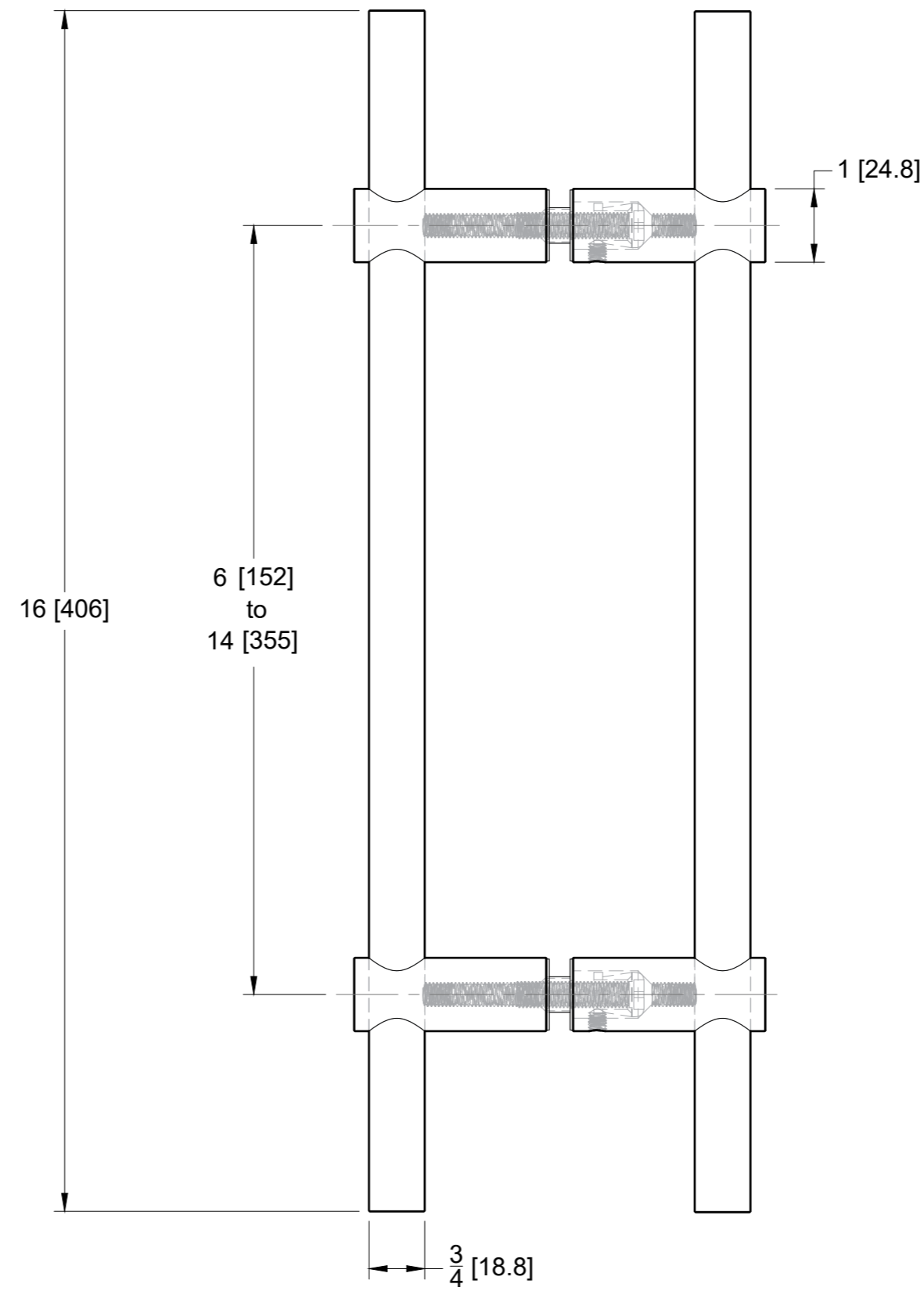
TOP VIEW



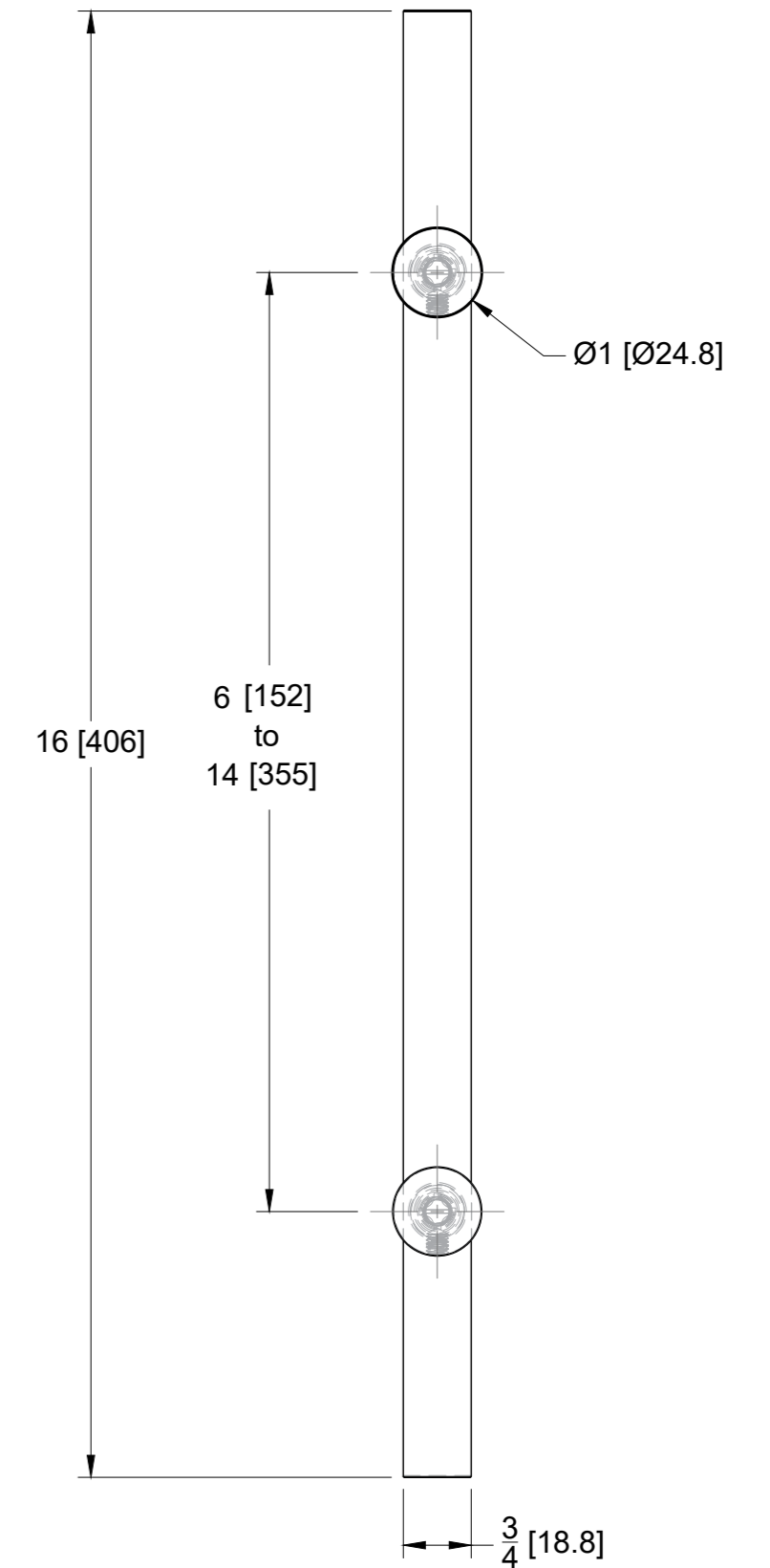
GLASS CUT OUT



FRONT VIEW



SIDE VIEW



10101 NW 79th Ave
 Hialeah Gardens, FL 33016
 Phone: (877) 658-9008
 Fax: (888) 280-2285

Product: **16" Round Adjustable Ladder Handle**
 Code: AH16
 Material: 304 Stainless Steel

Specifications:
 Glass thickness: 3/8" (10 mm) to 1/2" (12 mm).
 Cutout required - Tempered glass only.
 Includes: Allen key and assembly hardware.

BEFORE PROCEEDING WITH FABRICATION, PLEASE ENSURE THAT YOU VERIFY ALL MEASUREMENTS. IT IS CRUCIAL TO DOUBLE-CHECK THE SPECIFICATIONS TO AVOID ANY DISCREPANCIES. FOR THE MOST UP-TO-DATE TECHNICAL SPECSHEETS AND CUTOUTS, KINDLY VISIT GLASSHARDWARE.COM.

Date: 11/26/24

Sheet N°: 2/2